

## 9688FTP160P63

EAN 4031582316155

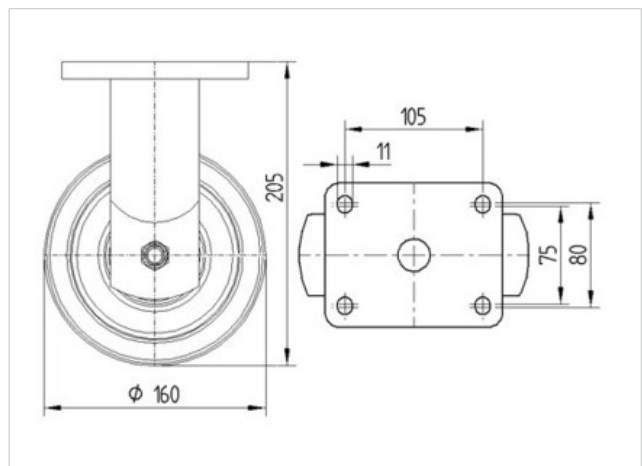
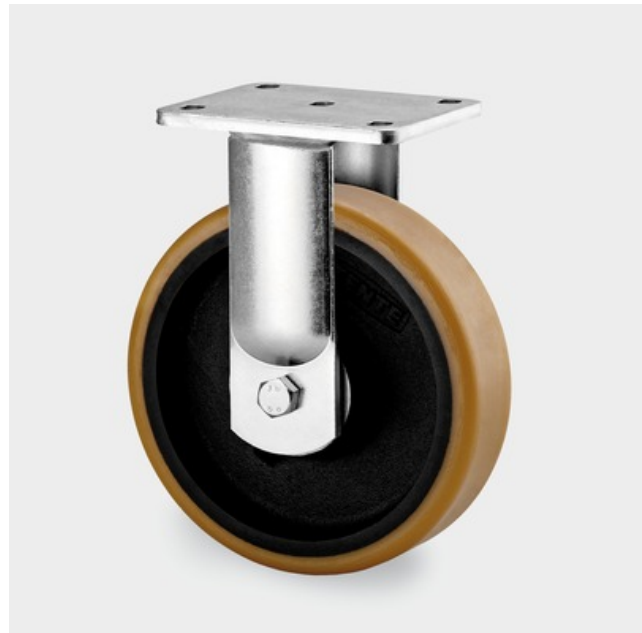
Fixed castor, Fork and plate steel welded, bright zinc plated, blue passivated, wheel axle with nut, plate fitting.

Wheel centre made of cast iron, Tread: Polyurethane, casted, precision ball bearing

### Technical Data

Wheel diameter	160 mm
Width of Tread	50 mm
Size of Plate	135 x 110 mm
Plate hole centres	105 x 80/75 mm
Plate hole	11 mm
Overall height	205 mm
Temperature	- 20 / + 60 °C
Standard	EN 12533
Weight	5.094 kg
Hardness of tread	A 92 Shore
Load capacity	750 kg
Load capacity (static)	1500 kg

Roll performance	+	+	+	+	+
Movement noise	+	+	+	+	+
Attrition	+	+	+	+	+
Corrosion resistance	+	+	+	+	+





## 9688FTP160P63

EAN 4031582316155

