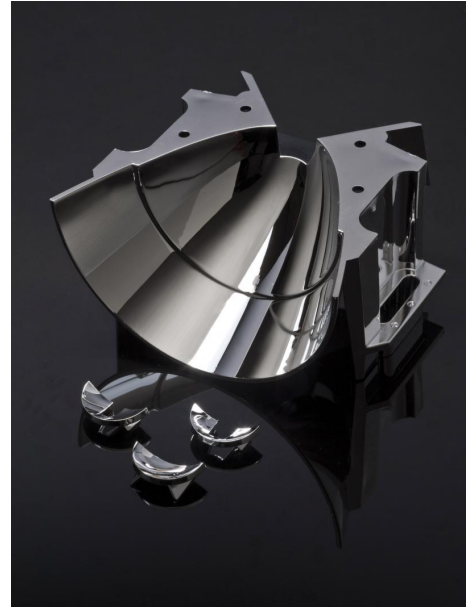


DETAILS

Product Number	C13898_BLONDIE-A
Family	Blondie
Type	Reflector
Color	metal
Diameter	92x78.3 mm
Height	45 mm
Style	
Optic Material	PC
Holder Material	
Fastening	screw
Status	ready
ROHS Compliant	Yes
Date Updated	7/11/2014

OPTICAL PROPERTIES

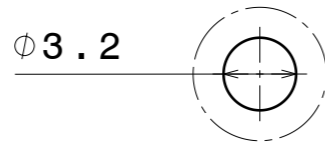
LED	Viewing Angle	Light Beam	Efficiency	cd/lm	Connector
LUXEON M	Decorative deg	Decorative...	-	sim: 0.000	-
XP-G2	Decorative deg	Decorative...	-	sim: 0.000	-
XP-G	Decorative deg	Decorative...	-	sim: 0.000	-
LUXEON MZ	Decorative deg	Decorative...	-	sim: 0.000	-
XP-E2	Decorative deg	Decorative...	-	sim: 0.000	-
Oslon Square EC	Decorative deg	Decorative...	-	sim: 0.000	-
LUXEON A	Decorative deg	Decorative...	-	sim: 0.000	-
XM-L2	Decorative deg	Decorative...	-	sim: 0.000	-
LUXEON Rebel	Decorative deg	Decorative...	-	sim: 0.000	-
NVSxx19B/NVSxx19C	Decorative deg	Decorative...	-	sim: 0.000	-



H G F E D C B A

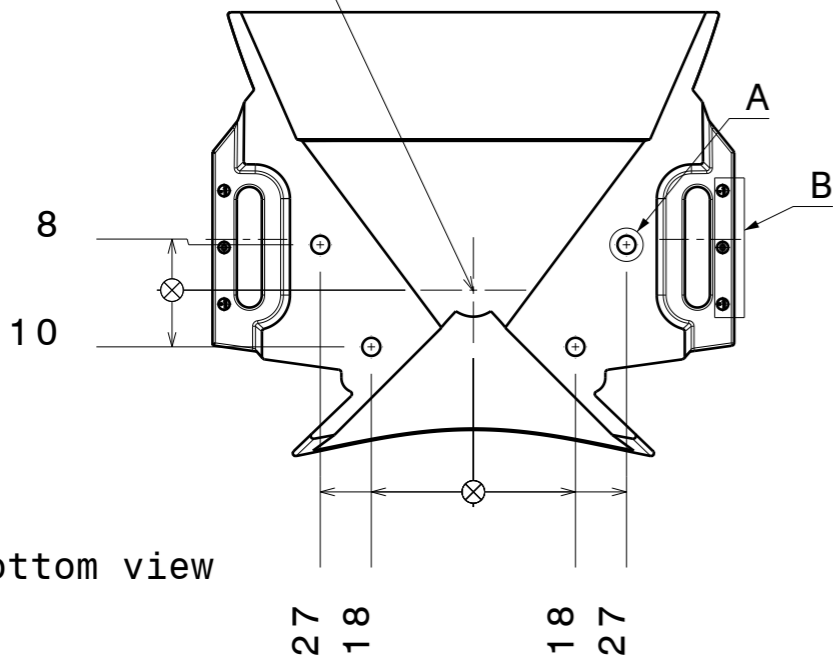
4

4

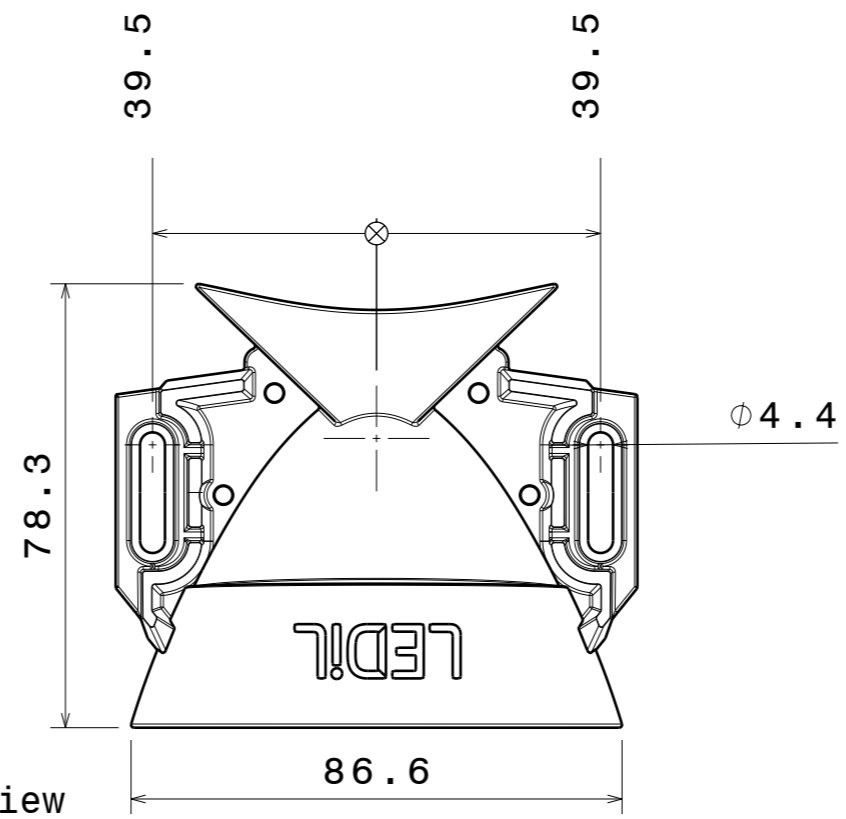


Detail A

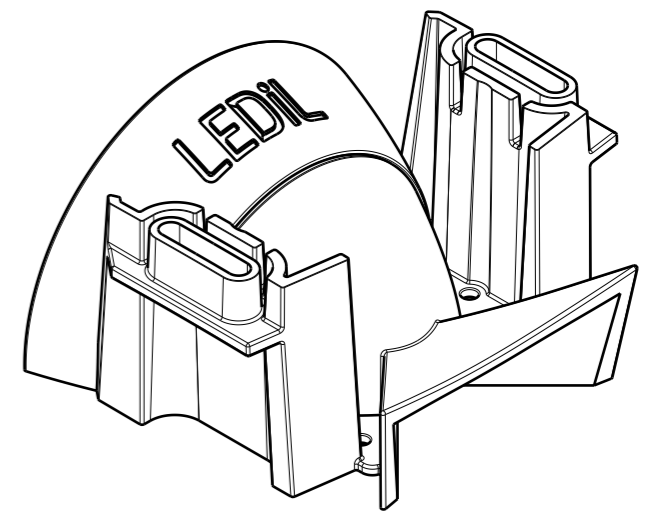
LED Center



Bottom view



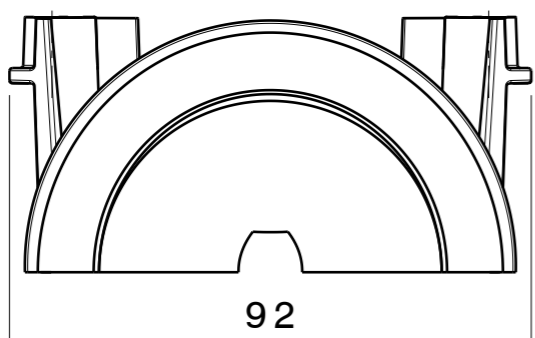
Top view



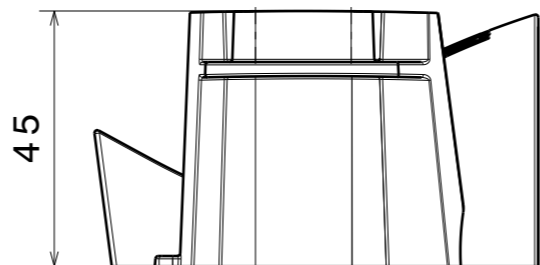
Isometric view

3

3



Front view



Left view



Variable tilt degrees for mounting

Detail B

2

2

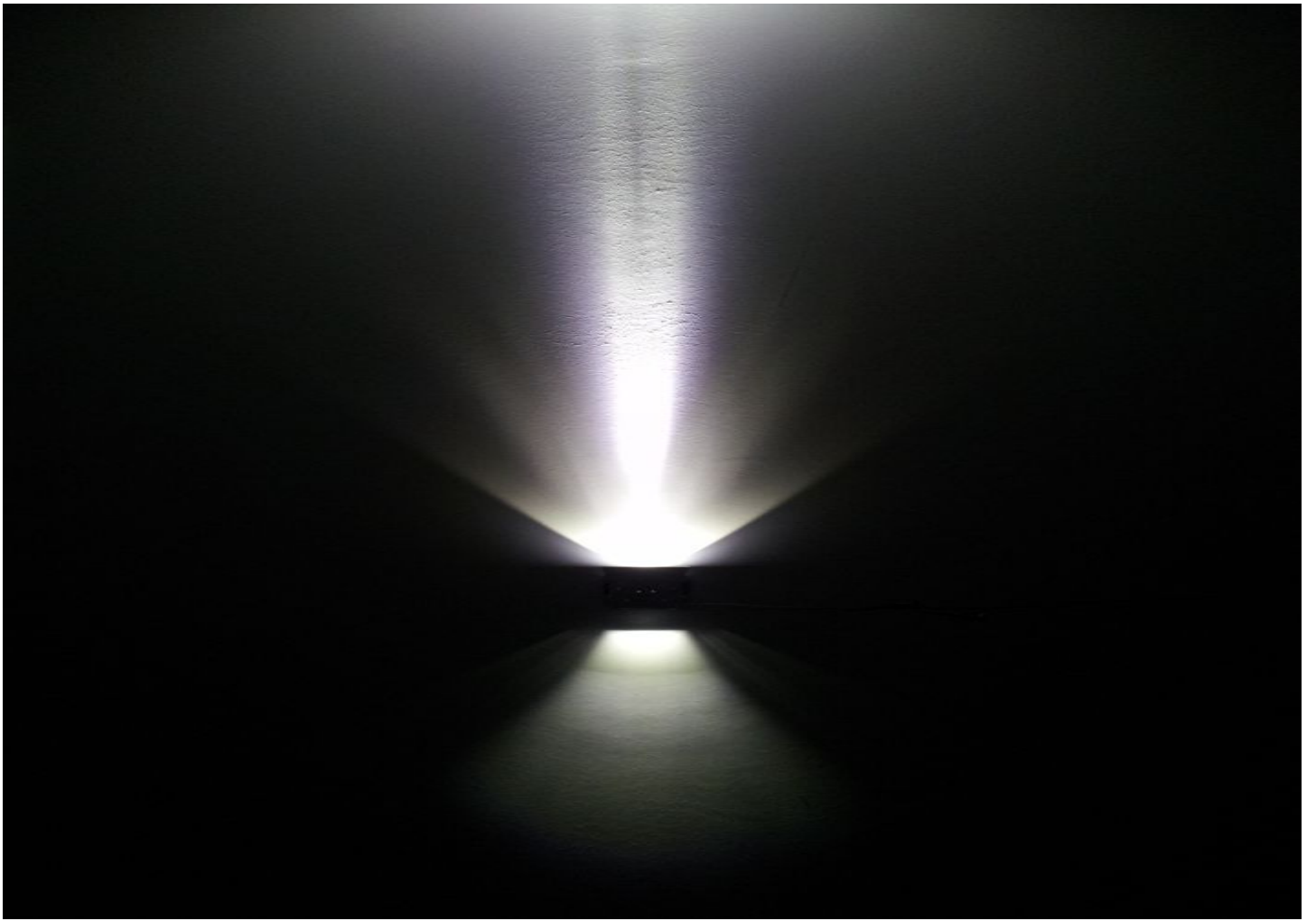
<p>Tolerances if not otherwise shown According to DIN ISO 2768-1 Linear measures: Up to 30mm class M, otherwise class C. According to DIN ISO 2768-2 Form and position: class L</p>			
<p>THIRD ANGLE PROJECTION:</p>		<p>DRAWING TITLE</p> <p>BLONDIE-A Datasheet</p>	
<p>This drawing is the property of LEDiL Oy. It may not be reproduced, copied or communicated without a written agreement with LEDiL Oy."</p>		<p>SIZE</p> <p>A3</p>	<p>PART NUMBER</p> <p>C13898 BLONDIE-A</p>
		<p>SCALE</p> <p>3:4</p>	<p>WEIGHT</p> <p>-</p>
		<p>SHEET</p> <p>1/1</p>	

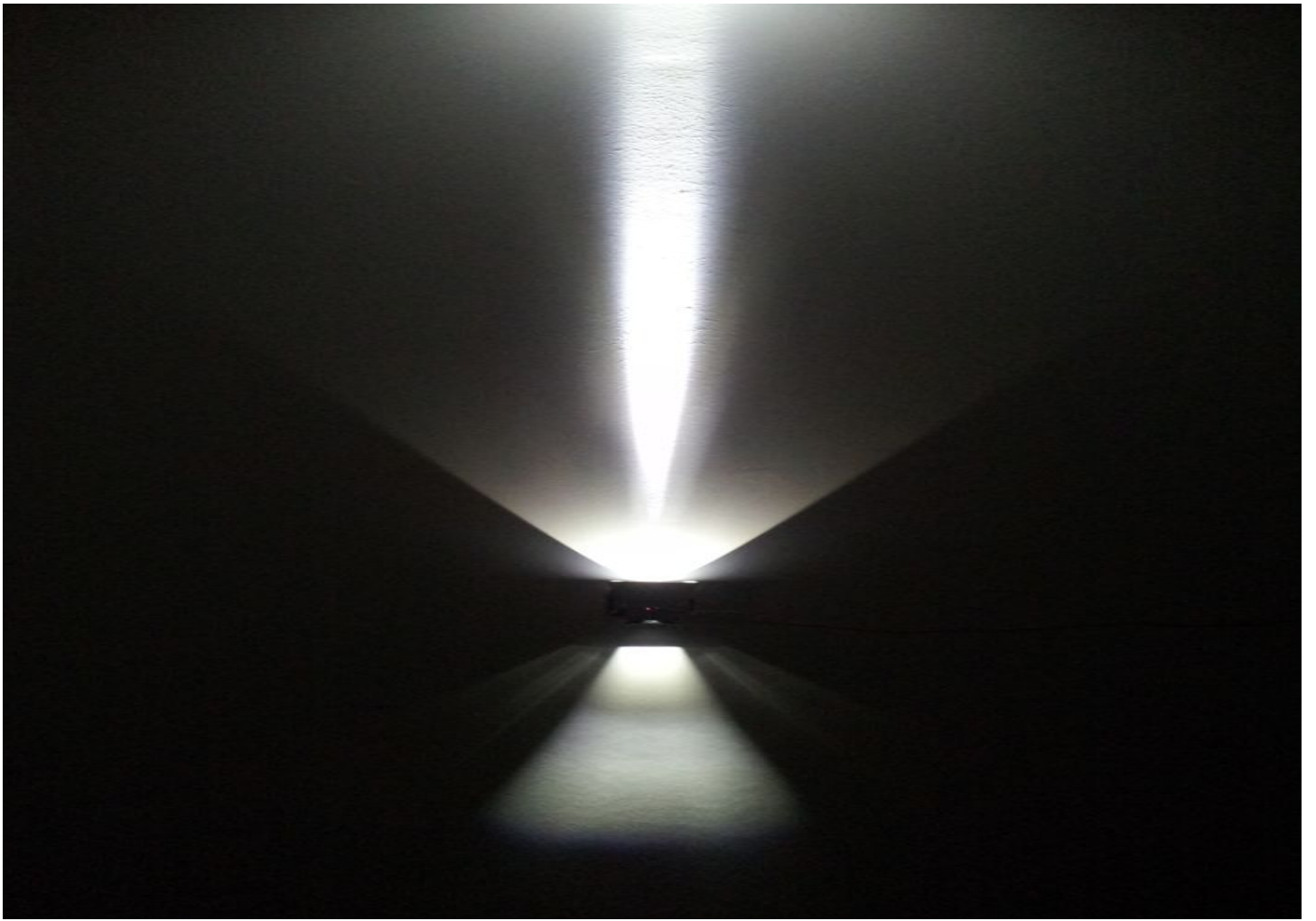
<p>Ledil Oy Salorankatu 10 FIN 24240 SALO Finland</p>	
<p>SIZE</p> <p>A3</p>	
<p>PART NUMBER</p> <p>C13898 BLONDIE-A</p>	
<p>SCALE</p> <p>3:4</p>	
<p>WEIGHT</p> <p>-</p>	
<p>SHEET</p> <p>1/1</p>	

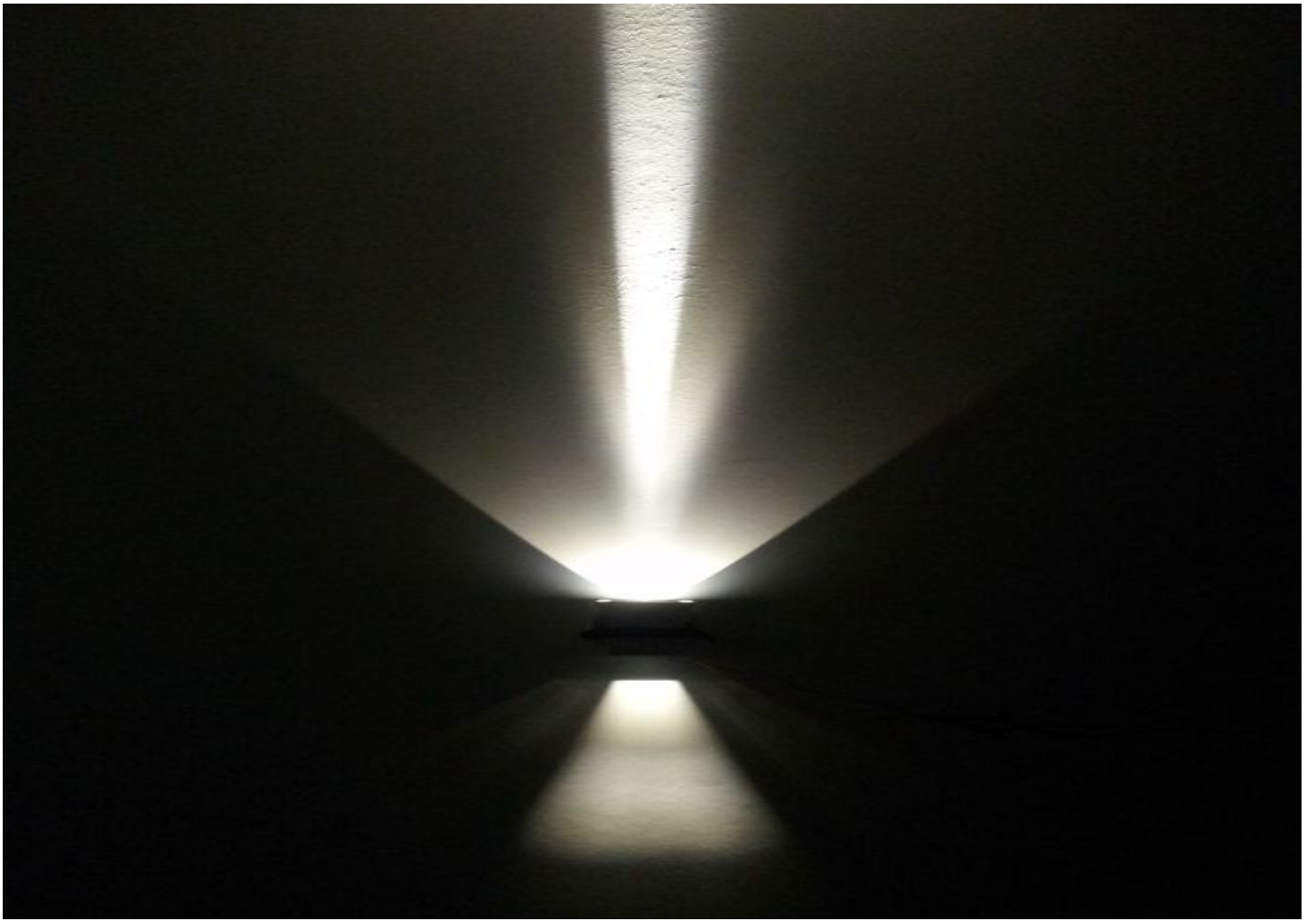
H G B A

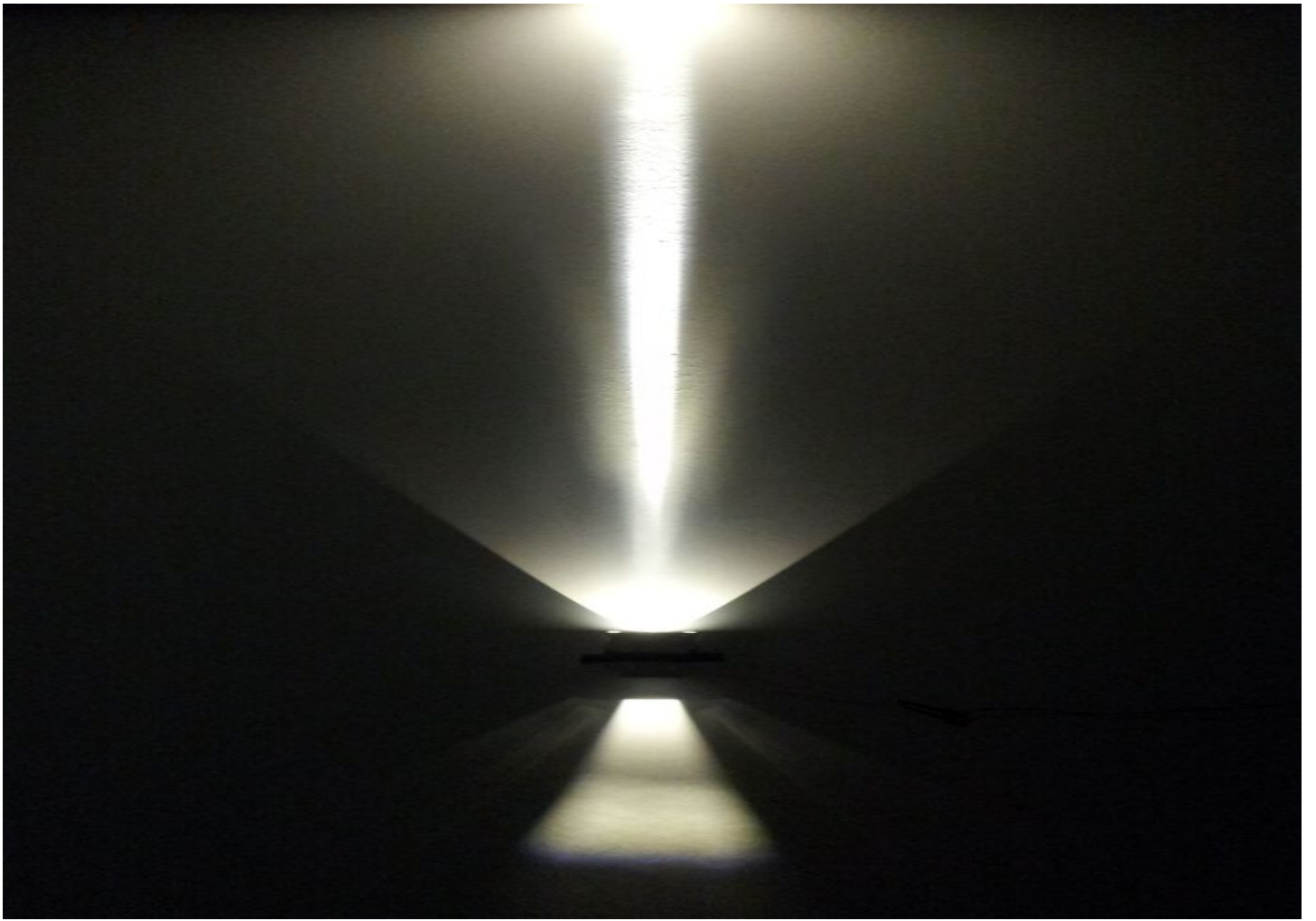
1

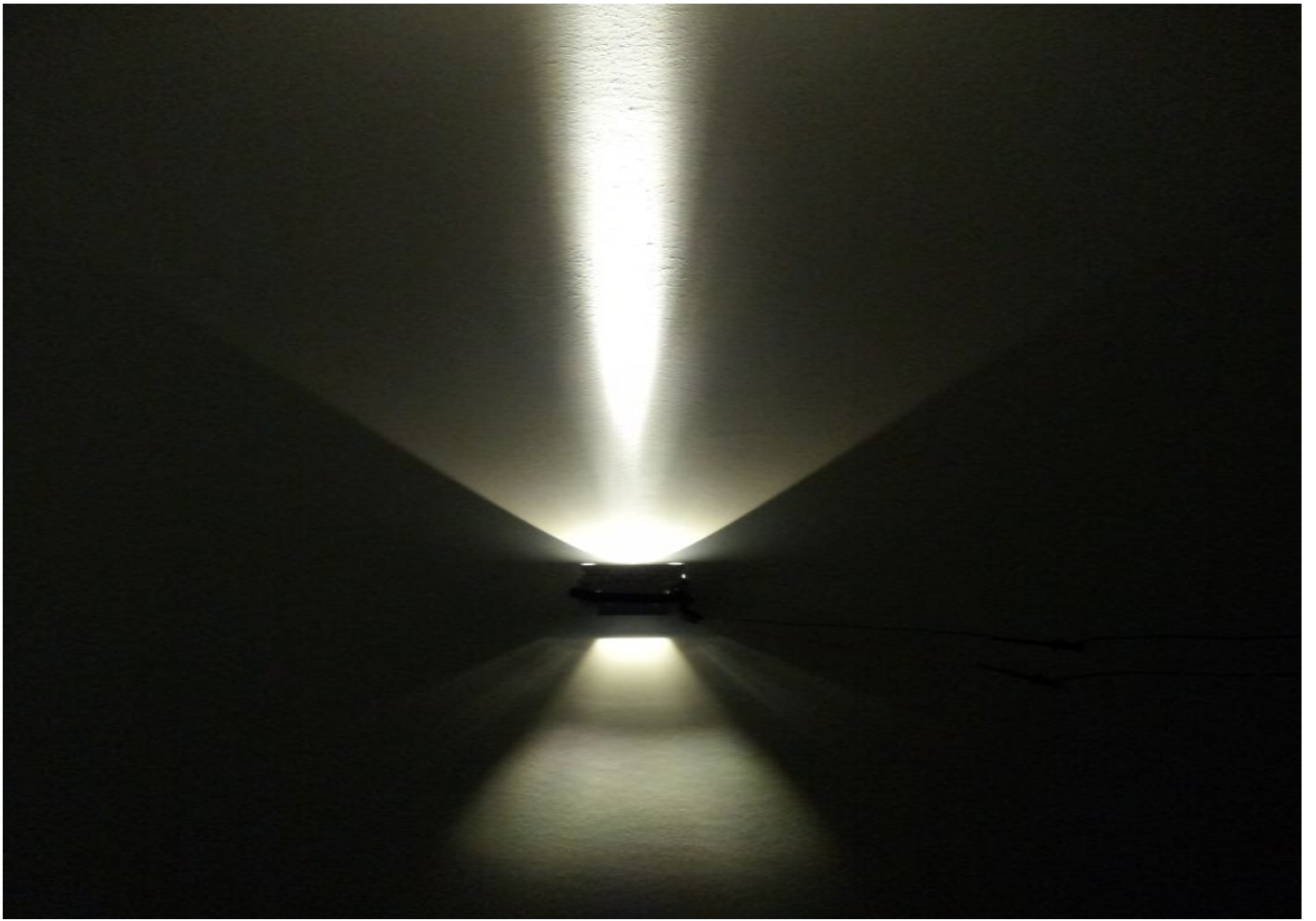
1

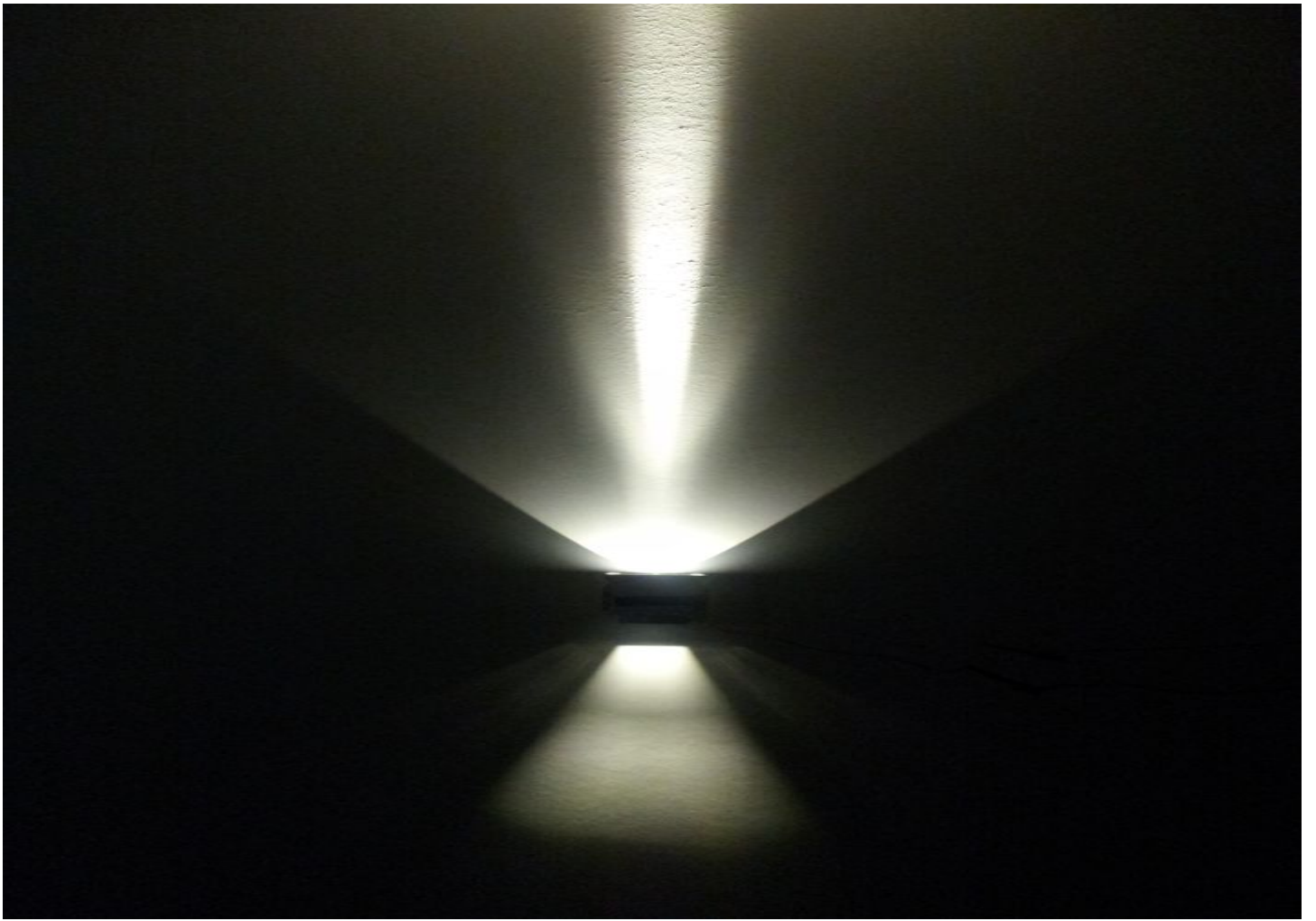


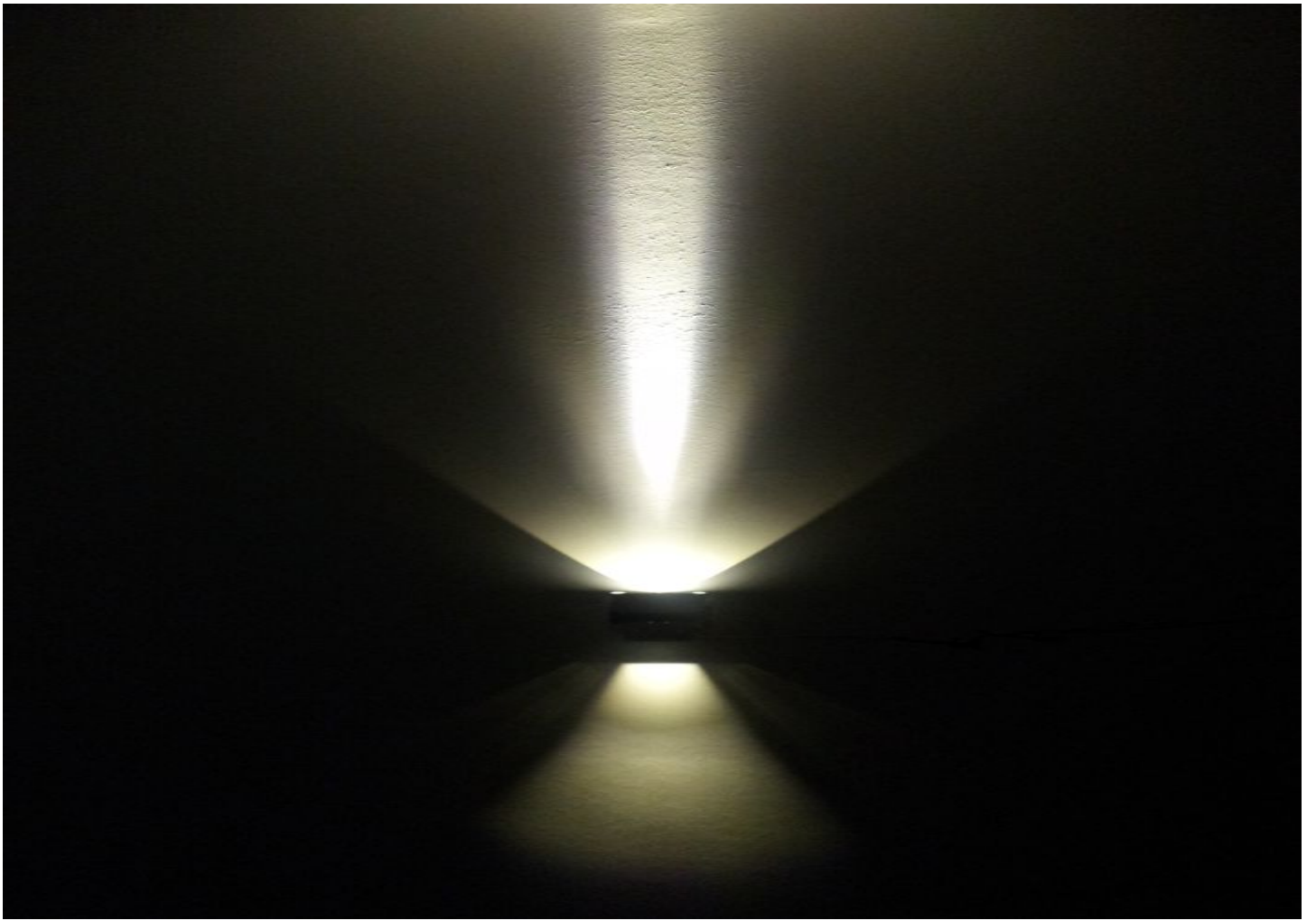


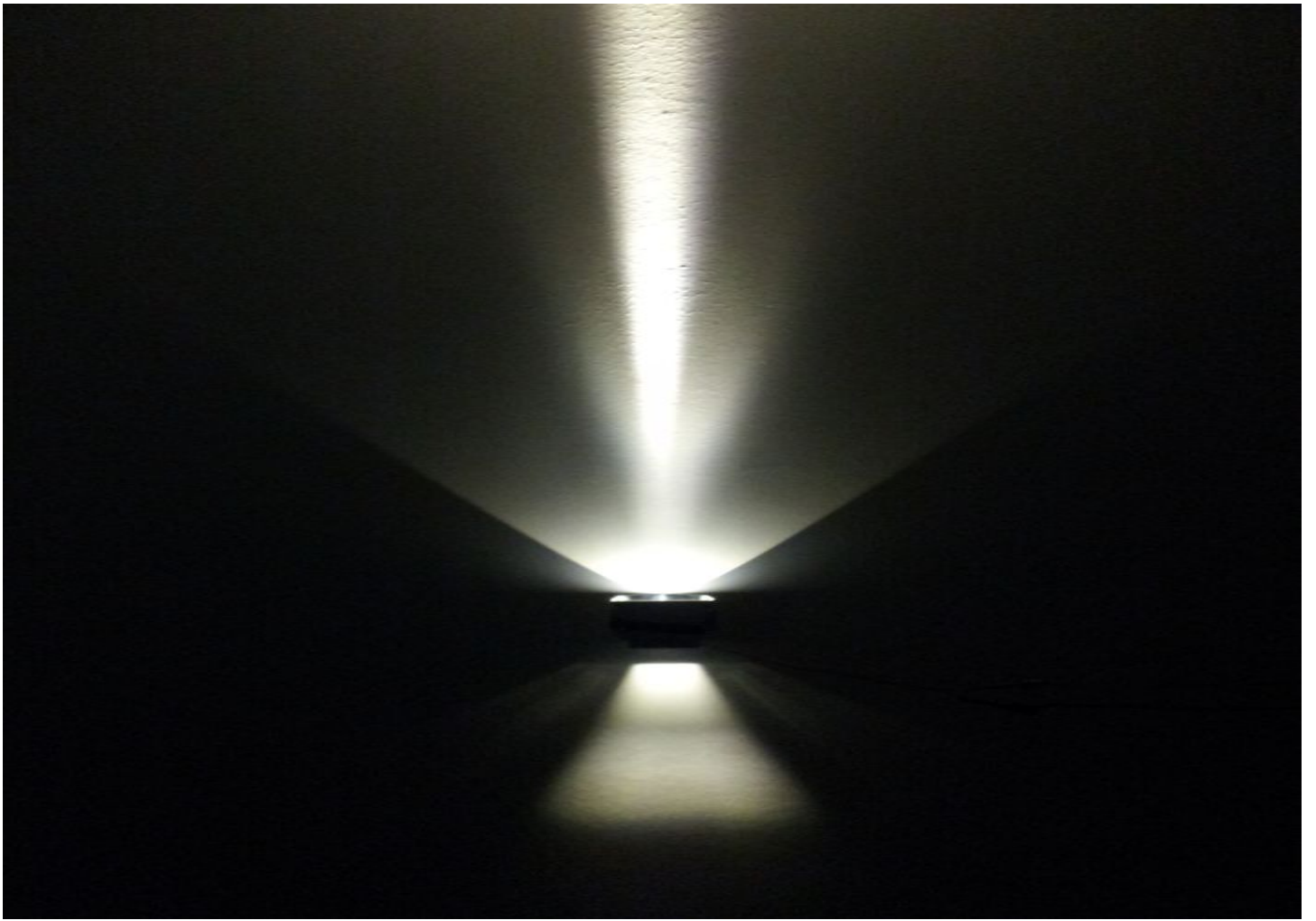


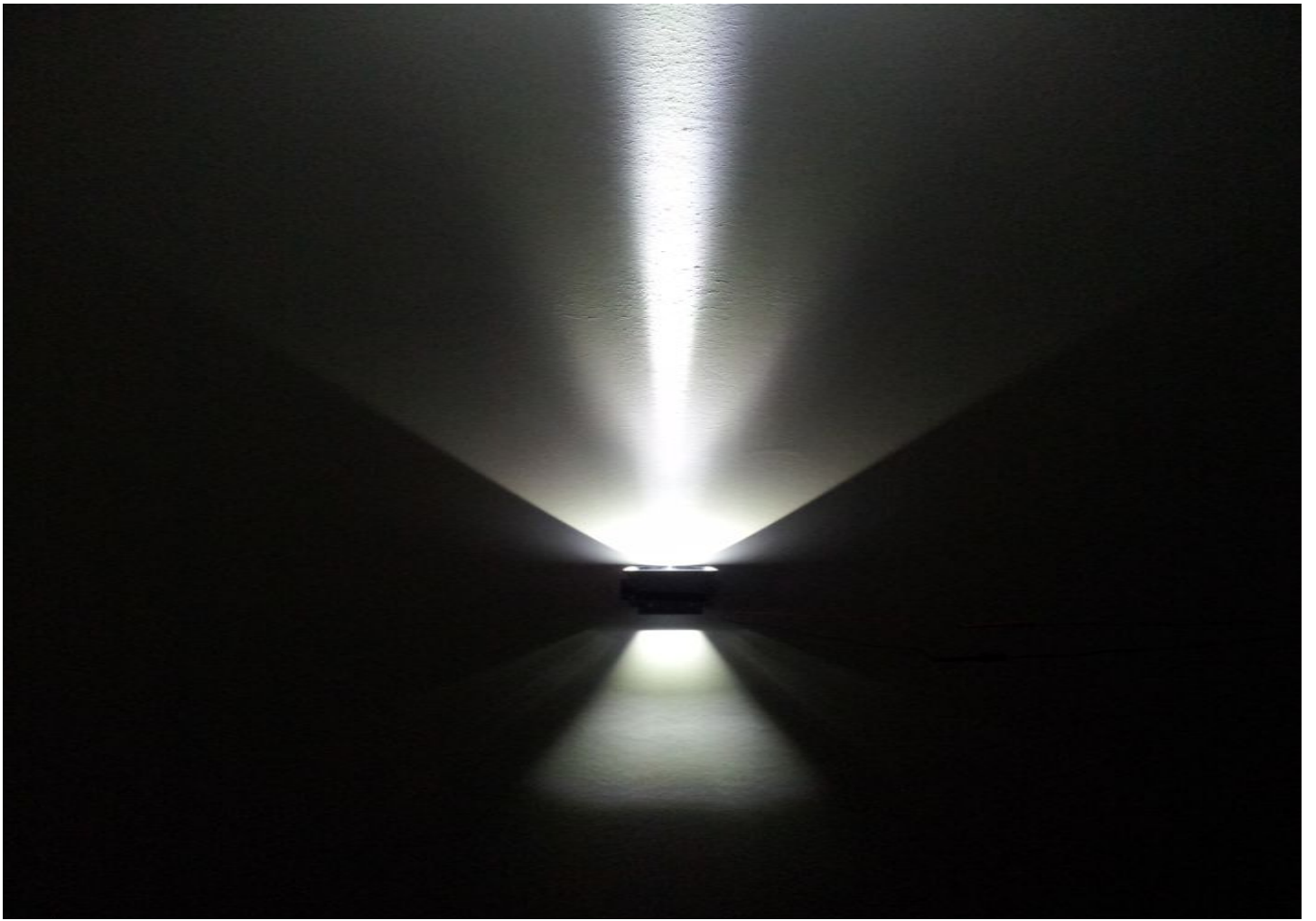


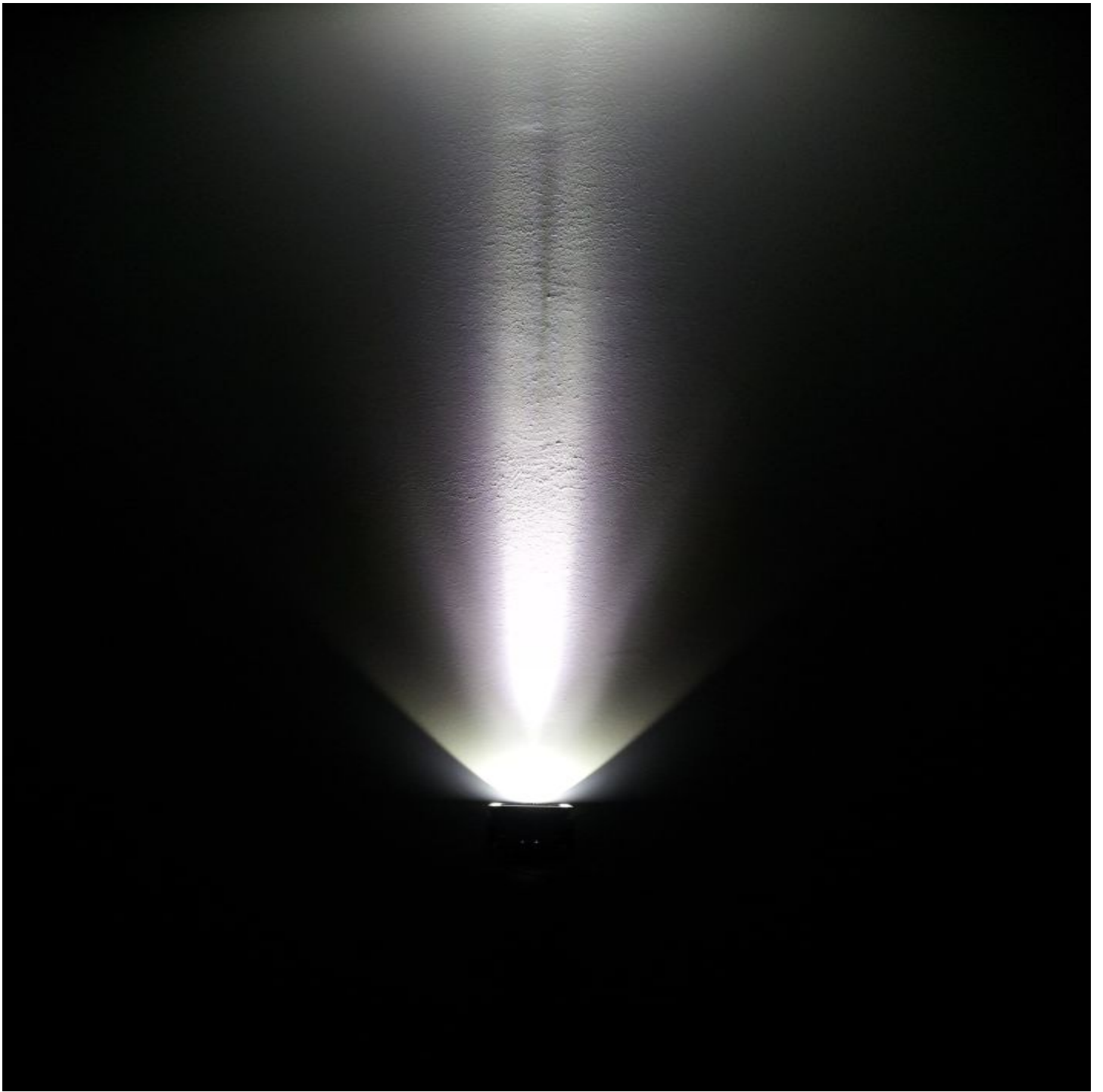


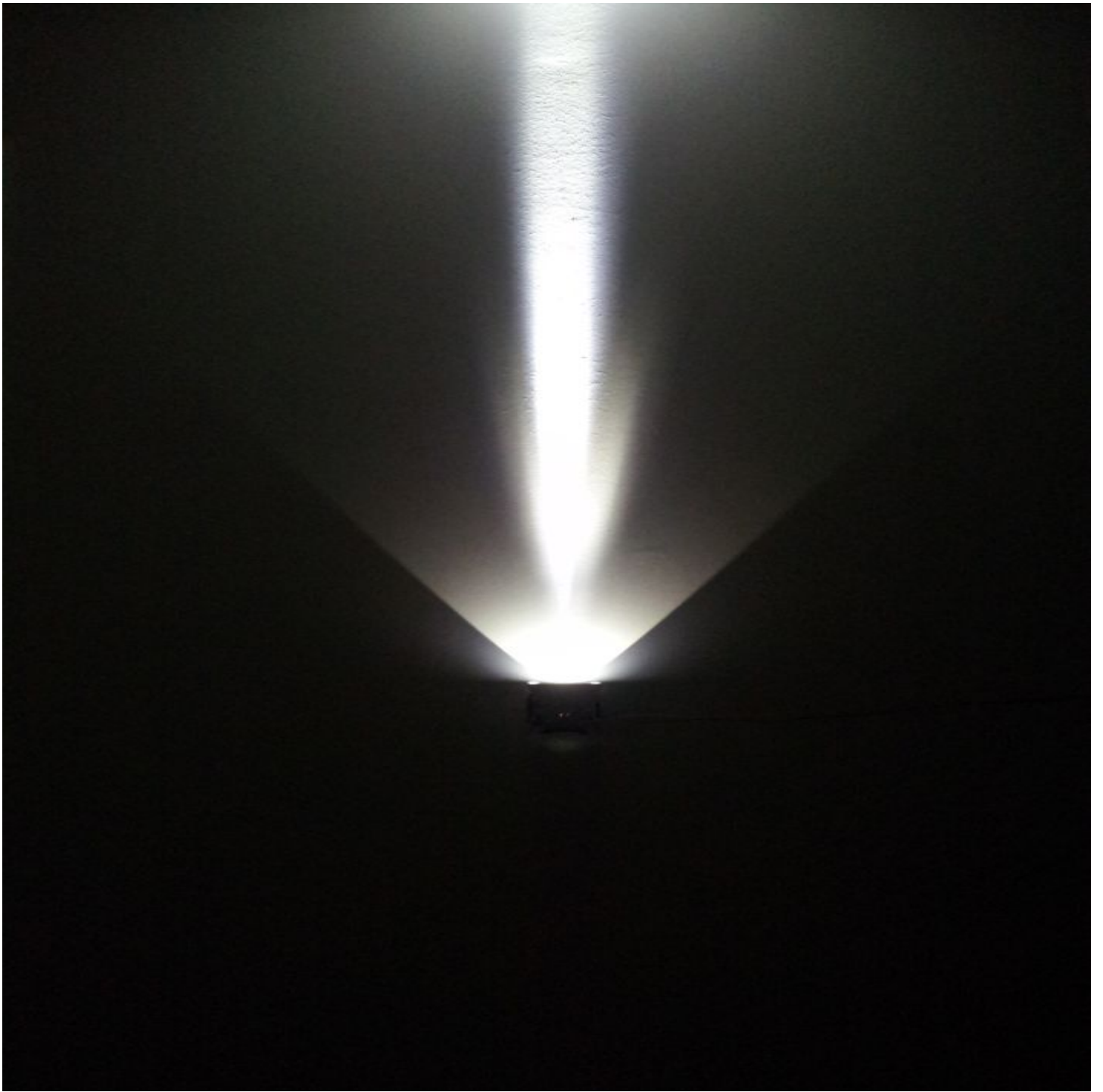


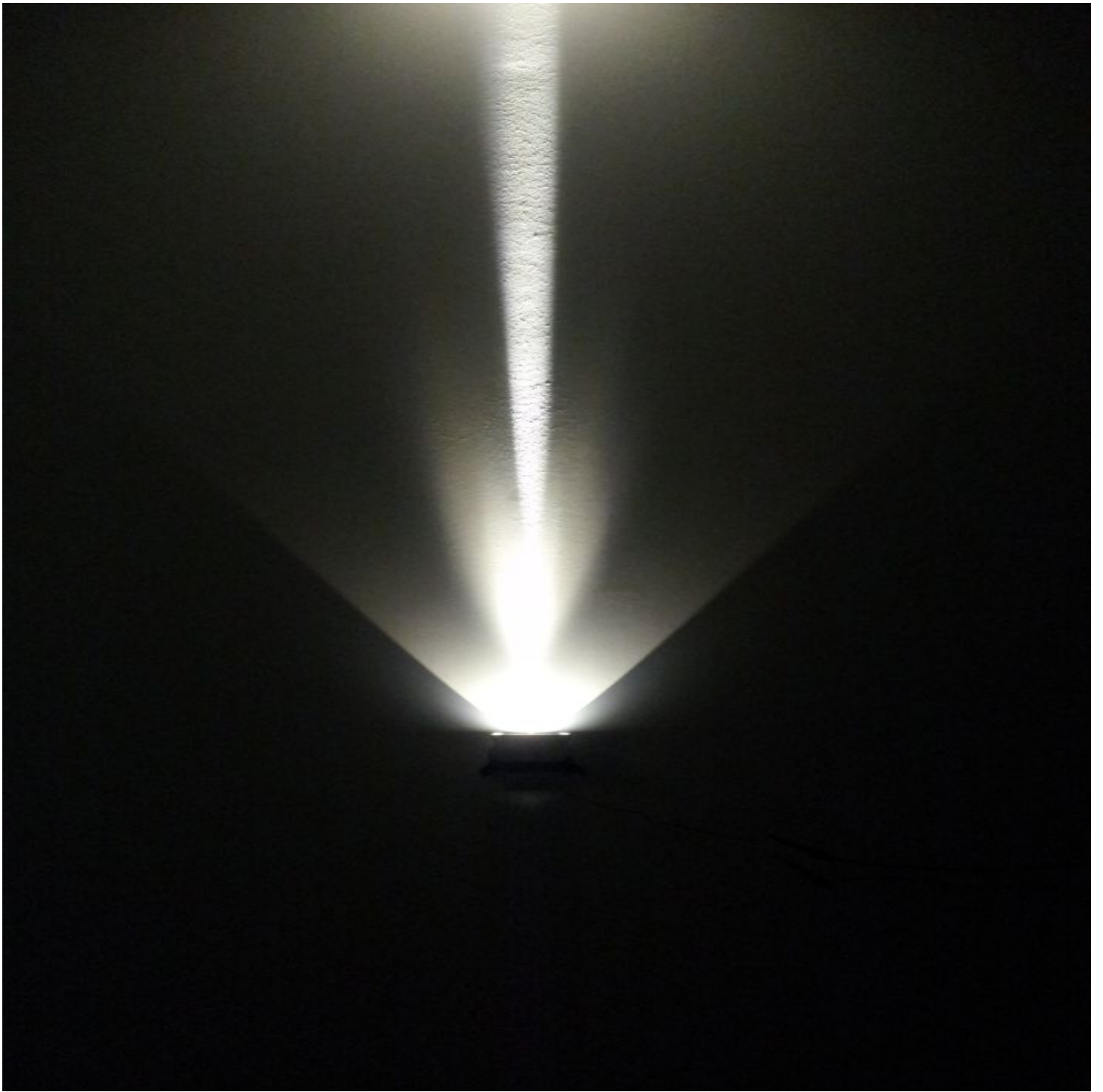


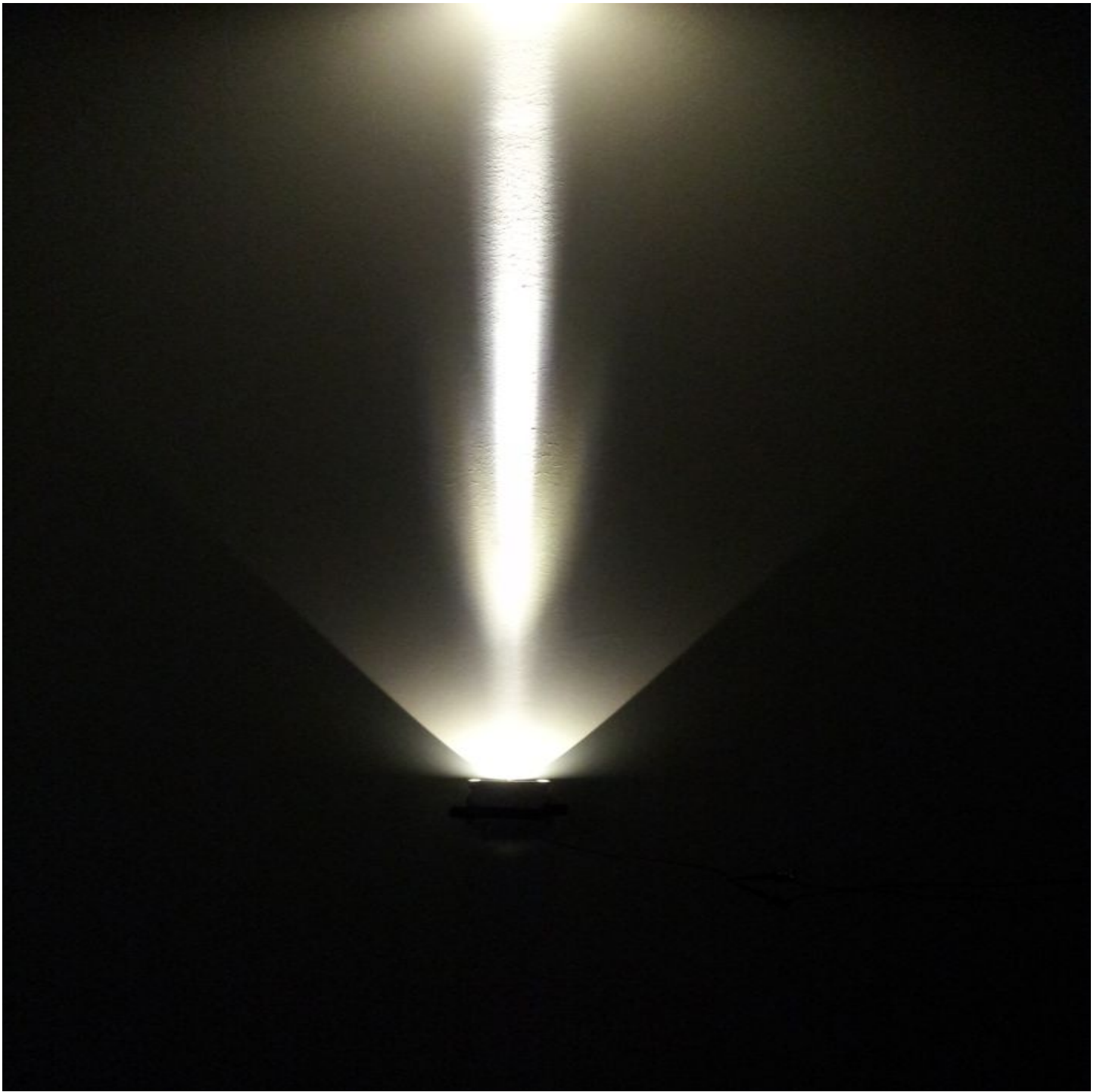


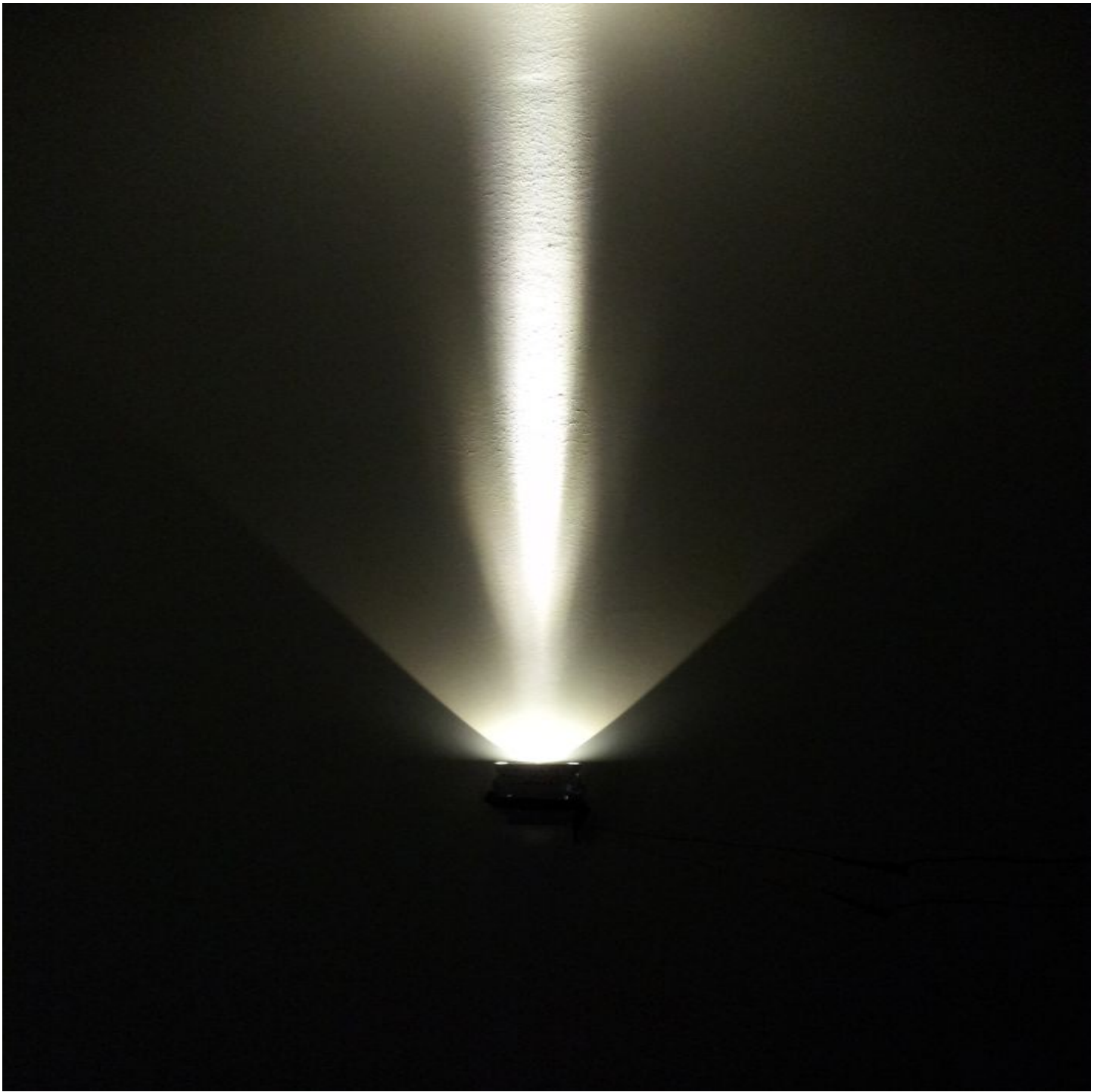


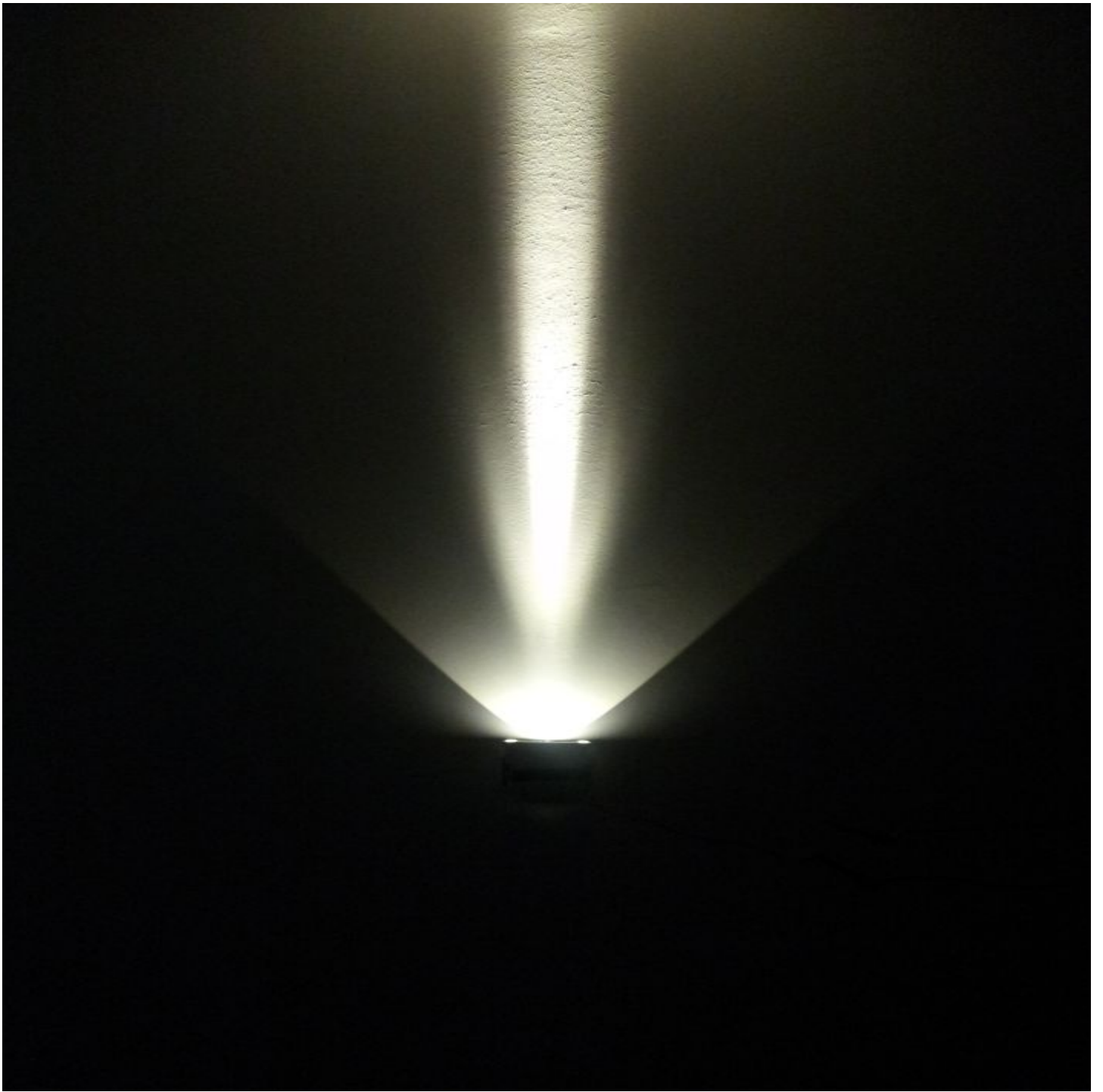


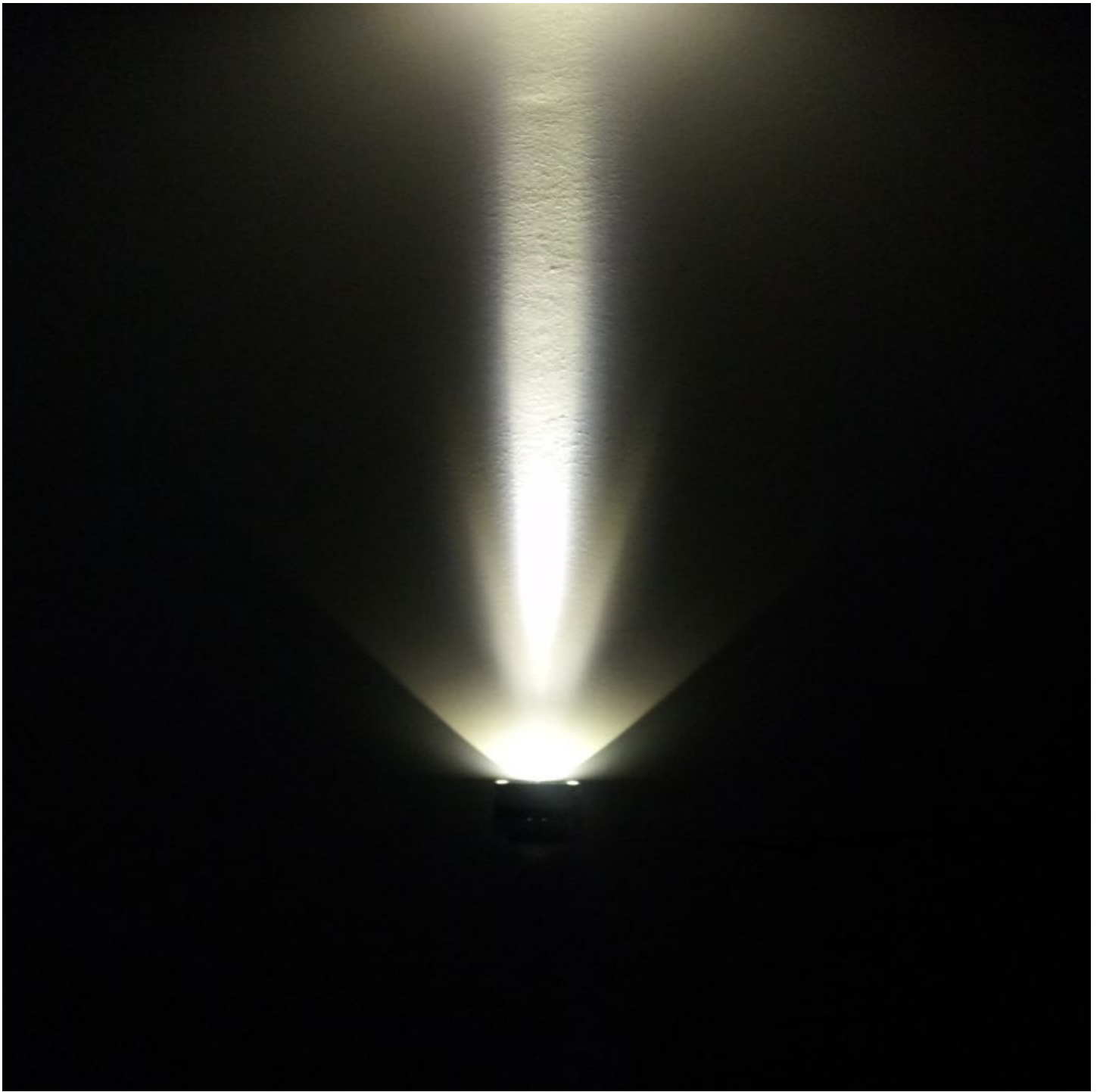


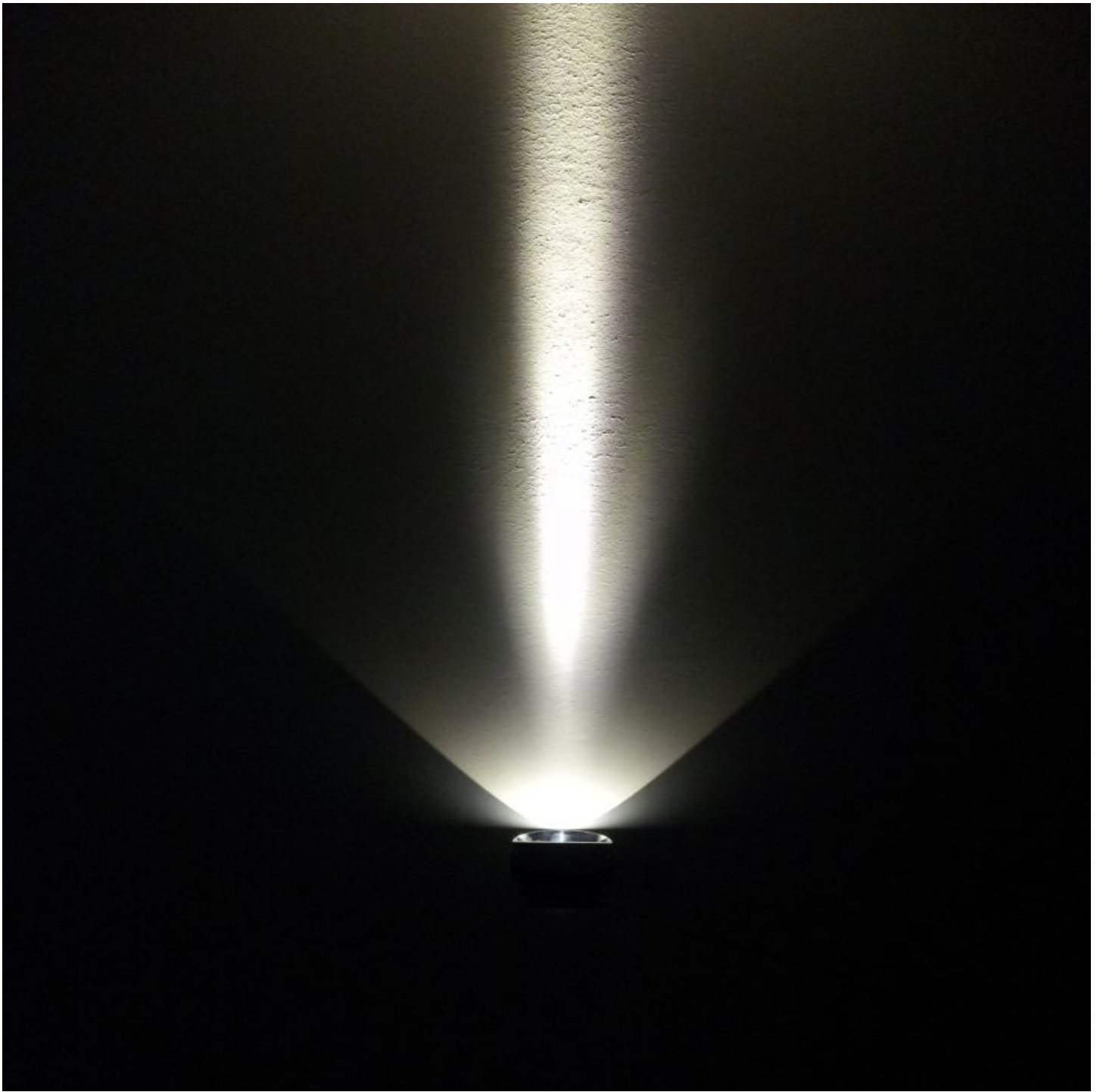


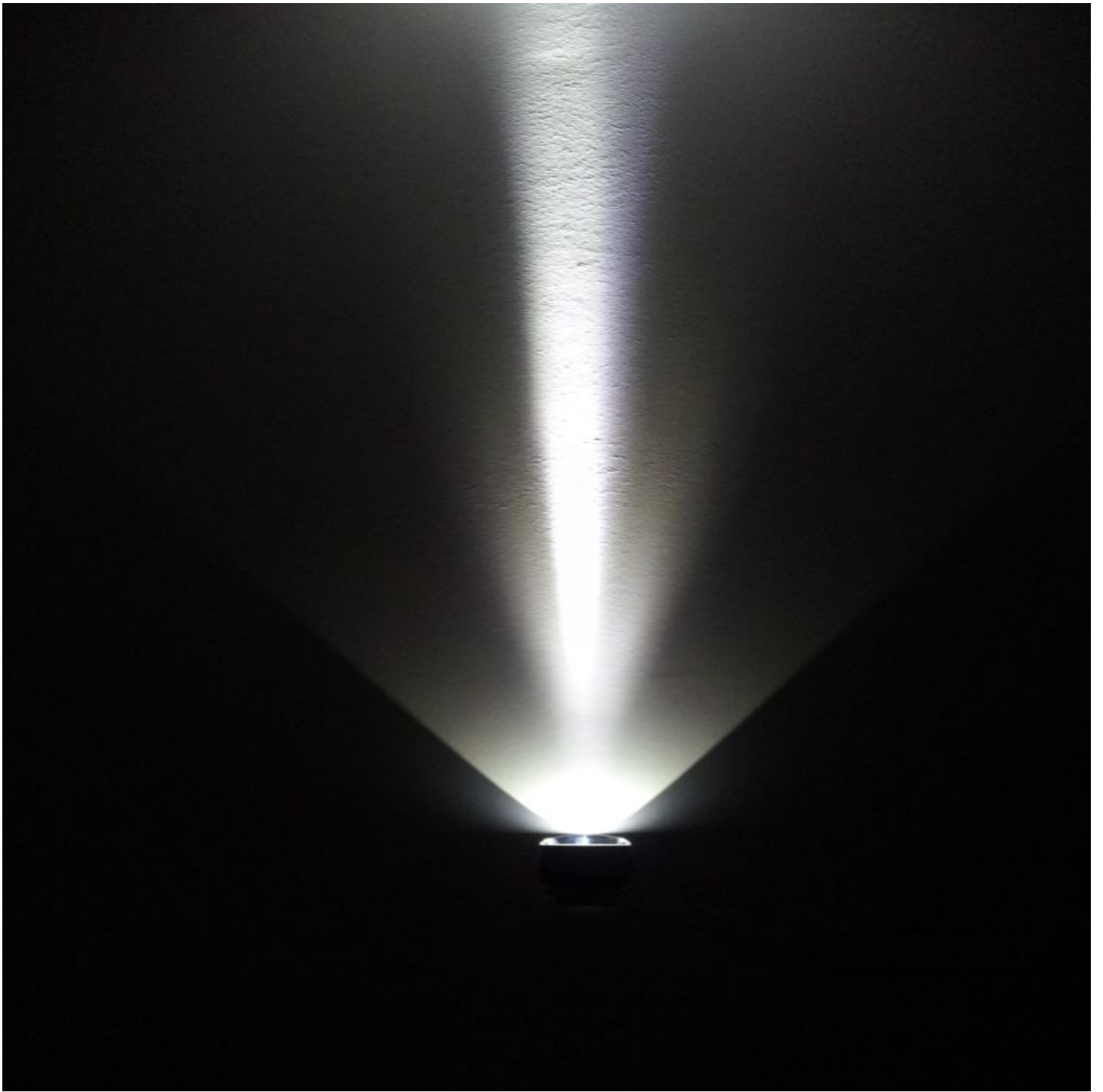












NOTE: The typical divergence will be changed by different color, chip size and chip position tolerance. The typical total divergence is the full angle measured where the luminous intensity is half of the peak value.

GENERAL INFORMATION

- Product series especially designed & optimized for series of LEDs.
- Special care taken to make light distribution as uniform as possible.
- Reflector is made of aluminium coated PC (120 degrees of Celcius / 248 degrees of Fahrenheit) with protective lacquer (short term 100 degrees of Celcius / 212 degrees of Fahrenheit).