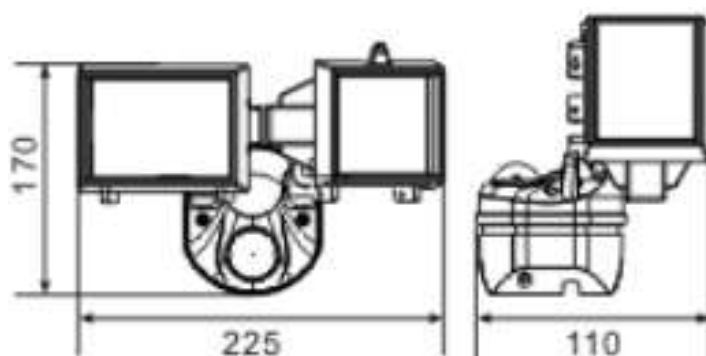


Data Specification Sheet



2 x 4W LED Floodlight c/w PIR

Code	851-2952
Description	2 x 4W IP44 LED Floodlight c/w PIR
Base Finishes available	Black
Overall dimensions (mm)	See above diagram
Weight	0.65KG
Fixing	Integral base plate
Typical location	Indoor or Outdoor
Lamp Supplied	Yes non replaceable 5630 Multi-chip
Lumen Output	2 x 250Lm - 62Lm/W
Lamp Life (Average)	25,000 Hours
Lamp Colour	4000K
Voltage (V)	220-230V 50Hz
Wattage (W)	2 x 4W
Circuit Watts	8W
Class	Class I. Must be Earthed
IP	IP44
Photometric Testing	No
Instruction sheet	Yes
Origin of manufacture	China
Pack Included	Instructions
Main materials:	
• Body	Polycarbonate
• Floodlights	Die-cast aluminium
• Reflector	Aluminium
• Gasket	Silicone Rubber
• Glass	Toughened 3mm glass
Lamp holder cap and make	N/A
Lamp type	5630 Multi-Chip
Electrical Connections	Pre wired
Dimmable	No
PIR	
Time (Min-Max)	User Adjustable Min-10 seconds Max – 8 Minutes
Light Sensor	User adjustable
Detection Angle - Distance	Angle - 90° Distance-8 metres Max
Manual Override	No
CE mark	Yes
Batch coding details	Yes
Certificate of Conformity	Yes
Manufactured in accordance	EN60 598-2-5
Guarantee Period	2 Year

