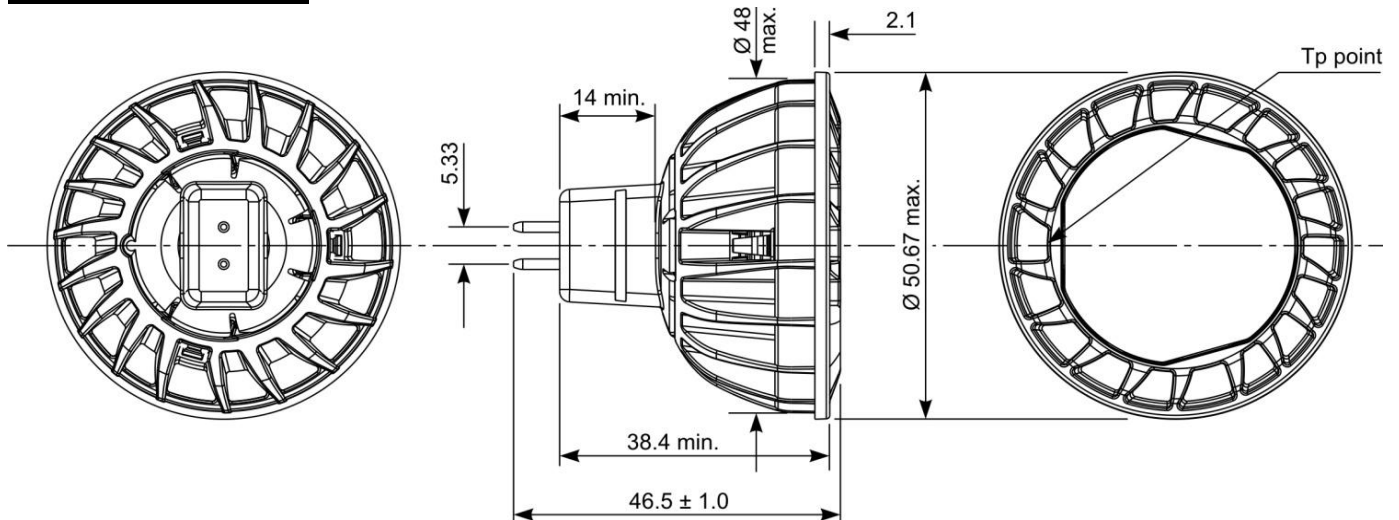




DIMENSIONS (mm):



Bulb type : MR16
Cap type : GU5.3

Finish : Dark Silver RAL9023
Light Colour : 830 Warm White

ELECTRICAL DATA:

		NOMINAL	MIN.	MAX.
Lamp Wattage	(W) :	7.5	-	8.63
Lamp Voltage	(V) :	12	10.2	13.8
Lamp Current	(mA) :	47		
Power Factor	(λ) :	0.7	0.6	-
Supply Frequency	(Hz) :	DC / 50 / 60 / HF		

PHOTOMETRIC DATA:

Beam Angle	(°) :	40	30	50
Luminous Intensity	(cd) :	600	450	750
Luminous Flux (total)	(lm) :	350	315	-
Luminous Flux (90° cone)	(lm) :	300	270	-
Luminous Efficacy (total)	(lm/W) :	47		
Luminous Efficacy (90° cone)	(lm/W) :	40		
Correlated Colour Temperature	(K) :	3000		
Colour Rendering Index	(Ra) :	80	77	-
Red Colour Rendition	(R ₉) :	15		
Chromaticity Co-ordinates	(x,y) :	CCx=0.437 CCy=0.404		6-step MacAdam Ellipse

OPERATING CONDITIONS:

Ta Ambient temperature range	(°C) :	25	-10	45
Tp Point	(°C) :	70	-	100
Burning position	:	Universal		
Control Gear	:	Integrated Electronic		

LAMP LIFE:

Average Life (L _{70F50})	(h) :	25,000
Switching Cycles	(#) :	100,000

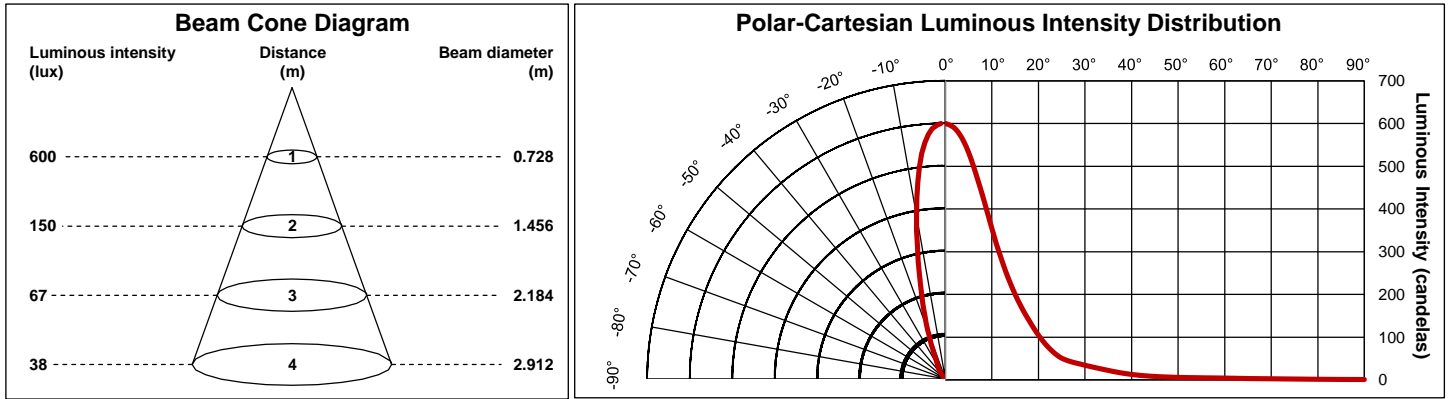
APPLICATION: Suitable for general indoor lighting, or outdoor use in waterproof luminaires.
Broad compatibility with dimmers and high frequency electronic transformers.
Complies with IEC62560, IEC62612, IEC62471, IEC61547, IEC61000, EN55015, EN62493.

Issued by : TIENEN
Date : 20.03.2012
Revision date :

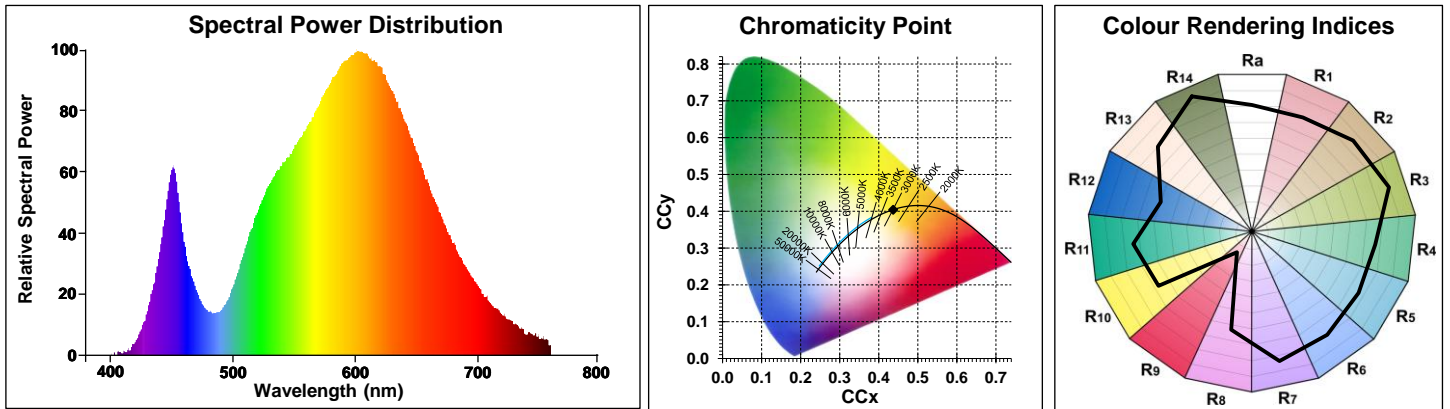
**PROVISIONAL
DATA SHEET**

Specification No. : 70-R16-0026340
Supersedes :
Page : 1 of 2

PHOTOMETRIC GRAPHICS:



SPECTRAL GRAPHICS:



Issued by : TIENEN Date : 20.03.2012 Revision date :	PROVISIONAL DATA SHEET	Specification No. : 70-R16-0026340 Supersedes : Page : 2 of 2
--	-----------------------------------	---