

4

3

2

1

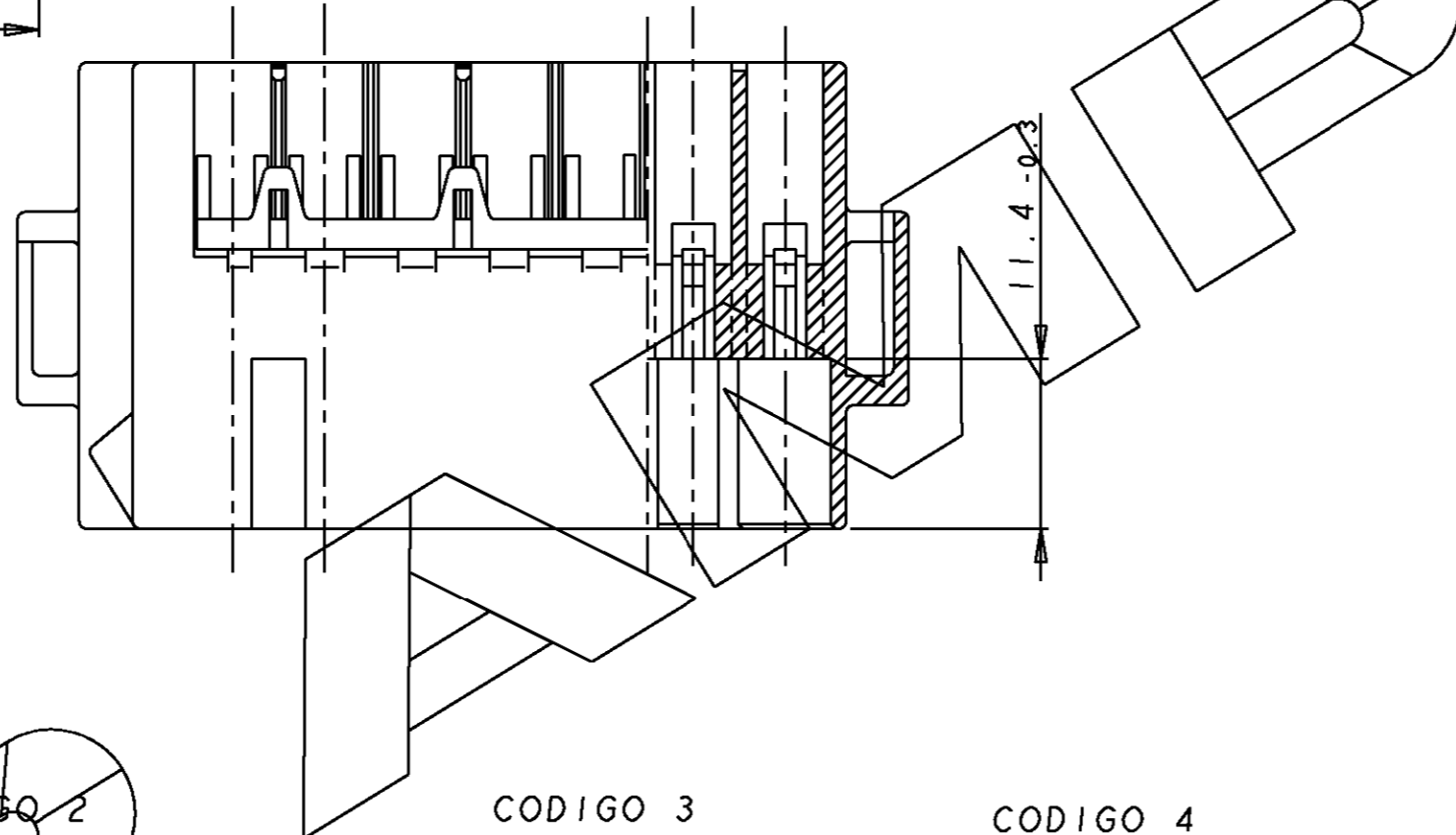
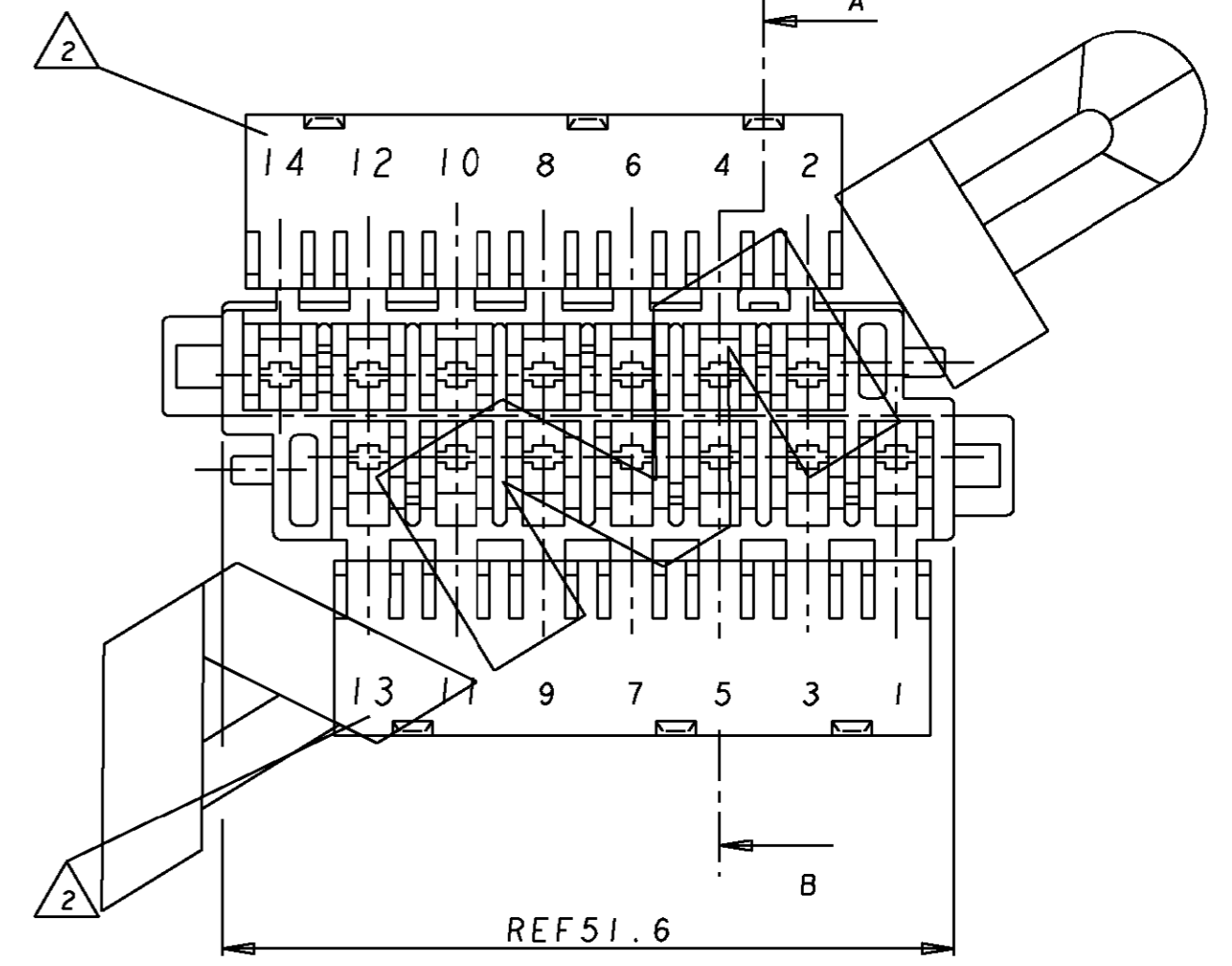
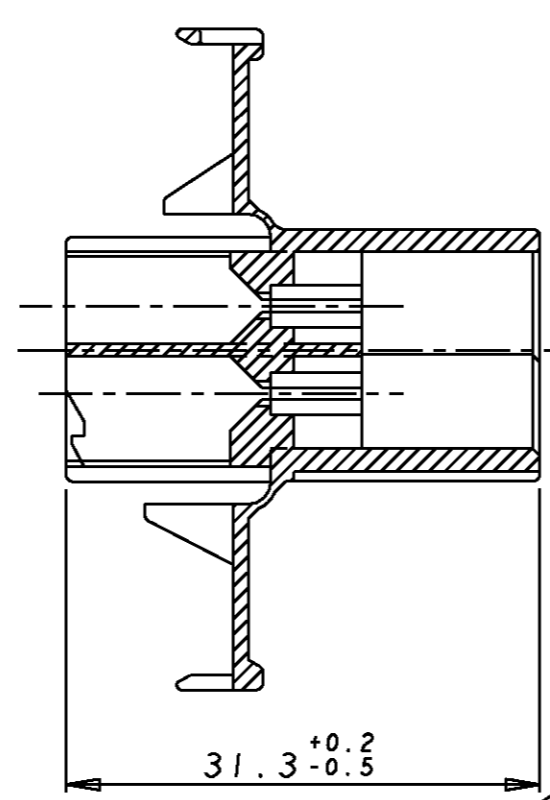
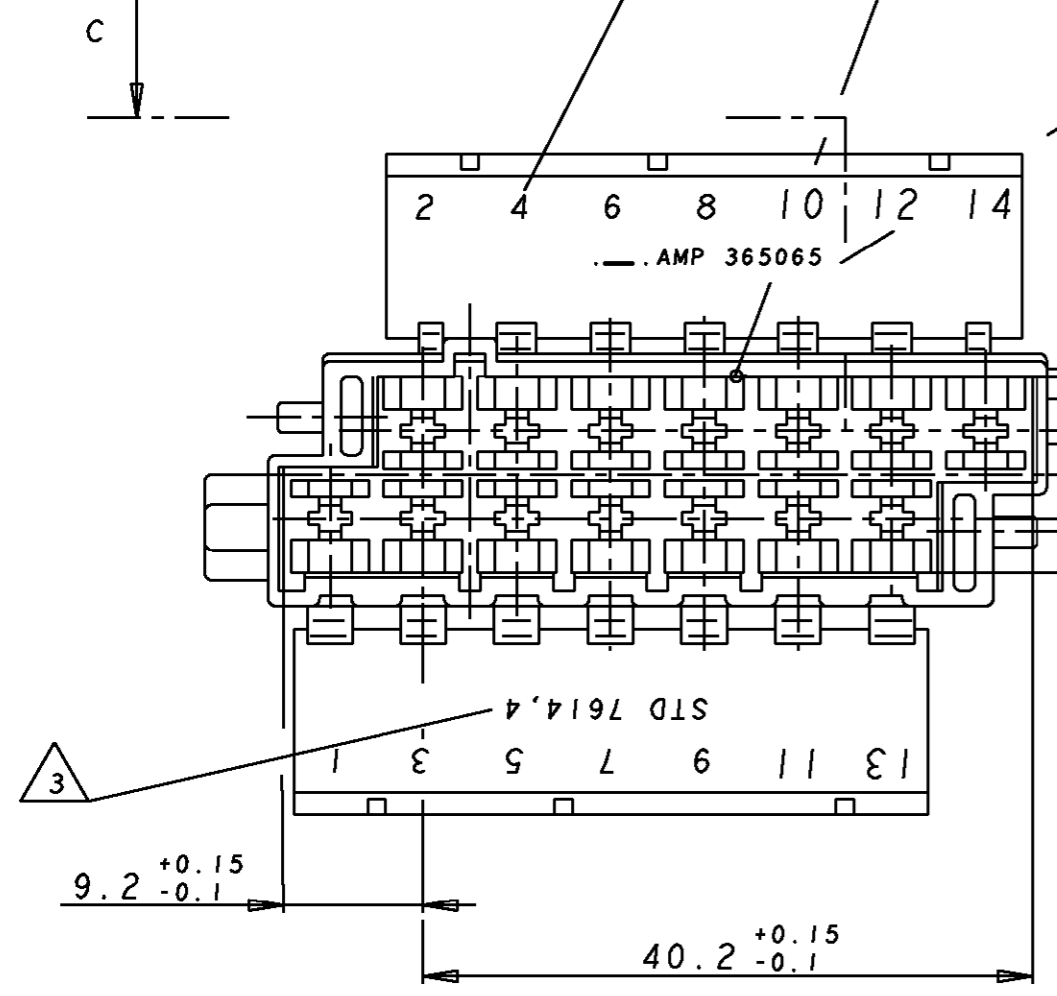
CAD-Original

Index	Description	Date	Name
A	REDRAWN	18.02.85	ULLRICH
B	CONTOUR AND DIMENSION	10.1.86	M. KLAUTKE
C	REDRAWN	28 JUL 87	H. BOUDA
D	COLLAPSE ADDED	04 MAR 88	H. BOUDA
E	DIM 31.3 ^{+0.2} / _{-0.5} WAS 31.3 _{-0.5}	18 OCT 88	W. PFEFFER
F	TRANSFERRED TO AMPES PER EC ES00-1753-93	15-6-93	J. PASCUAL
G	SEE EC ES00-0023-03	10-2-03	A. HERRANZ

ALABEO MAX. PERMITIDO HASTA 9.2
PERMISSIBLE WARP TO 9.2

SECCION A-B
SECTION

SECCION C-D
SECTION



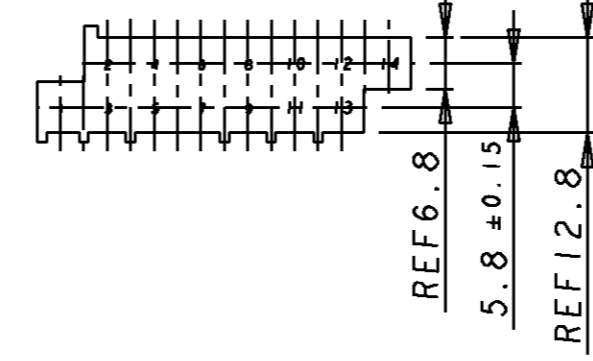
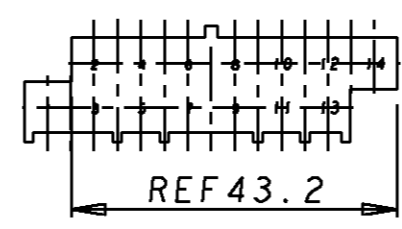
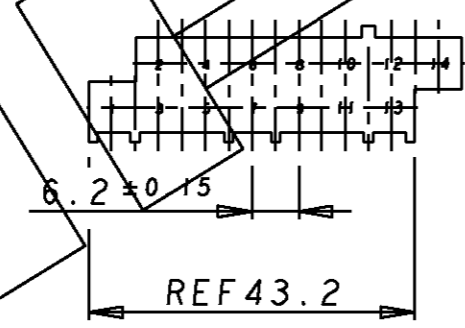
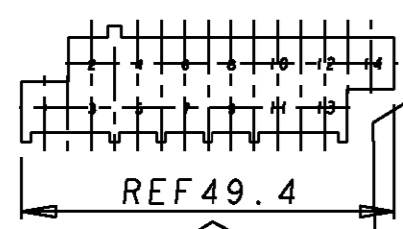
CODIGO 1
CODING

CODIGO 2
CODING

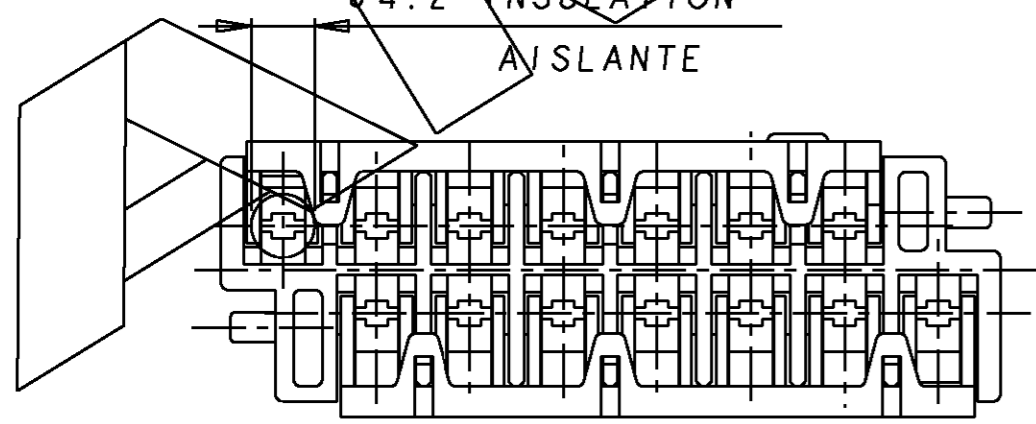
CODIGO 3
CODING

CODIGO 4
CODING

ESCALA
SCALE 1:1



4.2 INSULATION
AISLANTE



DETALLE CAJA CON BISAGRA CERRADA
HOUSING WITH CLOSED FLAP

- MATERIAL Y COLORES HAN DE ESTAR LIBRES DE CADMIO
MATERIAL AND COLORS ARE FREE OF CADMIUM
- 1 ALTURA LETRA 2
CHARACTER HEIGHT 2
- 2 ALTURA LETRA 1
CHARACTER HEIGHT 1
- 3 USAR CON 365066
- 4 FITTING WITH 365066
- 5 LAS PIEZAS DEBEN IR EMPAQUETADAS HERMETICAMENTE
Y SU CONTENIDO DE HUMEDAD DEBE SER 2.5±1%
PARTS MUST BE AIR TIGHT PACKAGED,
MOISTURE CONTENT MUST BE 2.5±1%

CUSTOMER DWG

Code NO.	Part Number	Material	Finish Colour	GENERAL TOLERANCES ±0.2 ±1"	Formal C	DWG NO. 365065
CODE 4	365065-4	PA 6.6	YELLOW	SCALE 2:1	REV. DWG : G	SHEET 1 OF 1
CODE 3	365065-3	PA 6.6	BLACK			
CODE 2	365065-2	PA 6.6	GREY			
CODE 1	365065-1	PA 6.6	NATUR			
DR 16.11.84 R.ULLRICH CHK 15-6-93 J.PASCUAL APP 15-6-93 L.BATLLO				AMP ESPAÑOLA, S.A. BARCELONA - SPAIN NAME 14 POS.TAB-HOUSING		

LOC
AL
DIST
2