

Signal isolator - PI-EX-NAM/RNO - 2835053


Please be informed that the data shown in this PDF Document is generated from our Online Catalog. Please find the complete data in the user's documentation. Our General Terms of Use for Downloads are valid (<http://phoenixcontact.com/download>)



Ex-i binary input: NAMUR isolation amplifiers. For operating proximity sensors and switches in Ex areas. The binary signals are transmitted to a safe area. Relay output (N/O contact), line fault detection. Galvanic 3-way isolation.



Key commercial data

Packing unit	1 pc
GTIN	 4 017918 147839
Weight per Piece (excluding packing)	88.5 g
Custom tariff number	85438997
Country of origin	United Kingdom
Note	Made to Order (non-returnable)

Technical data

Dimensions

Width	12.4 mm
Height	145 mm
Depth	147 mm

Ambient conditions

Ambient temperature (operation)	-20 °C ... 60 °C (vertical assembly)
	-20 °C ... 50 °C (horizontal assembly)
Ambient temperature (storage/transport)	-40 °C ... 80 °C
Permissible humidity (operation)	5 % ... 95 % (relative humidity, non-condensing)
Noise immunity	EN 61326:1998

Input data

Control current circuit	Intrinsically safe
Available input sources	NAMUR proximity sensors
	Floating switch contacts

Signal isolator - PI-EX-NAM/RNO - 2835053

Technical data

Input data

	Switch contacts with resistance circuit
Non-load voltage	8.2 V DC \pm 10 %
Switching points (attenuated)	< 1.2 mA (attenuated in acc. with EN 60947-5-6)
Switching points (unattenuated)	> 2.1 mA (non-attenuated in acc. with EN 60947-5-6)
Line error detection	Activated /deactivated via DIP switch

Output data

Switching output	Relay output
Contact type	N/O contact, reversal options, SPST
Limiting continuous current	1 A (30 V DC)
	0.5 A (125 V AC)
Min. contact current	10 μ A
Mechanical service life	10 ⁷ cycles
Service life, electrical	2 x 10 ⁵ cycles with full load

Power supply

Supply voltage range	20 V DC ... 35 V DC
Max. current consumption	max. 40 mA
Power consumption	max. 0.8 W (24 V)

General

No. of channels	1
Test voltage input/output	1.5 kV AC
Insulation voltage input/output/supply	0.25 kV _{rms}
Status display	Green LED (supply voltage)
	Yellow LED (status display)
	Red LED (line errors)
Inflammability class according to UL 94	V0
Electromagnetic compatibility	Conformance with EMC directive 89/336/EC
Emitted interference	EN 61326:1998
Housing material	Polyamide PA non-reinforced
Color	green

Classifications

eCl@ss

eCl@ss 4.0	27210121
eCl@ss 4.1	27210121
eCl@ss 5.0	27210121
eCl@ss 5.1	27210121
eCl@ss 6.0	27210121

Signal isolator - PI-EX-NAM/RNO - 2835053

Classifications

ETIM

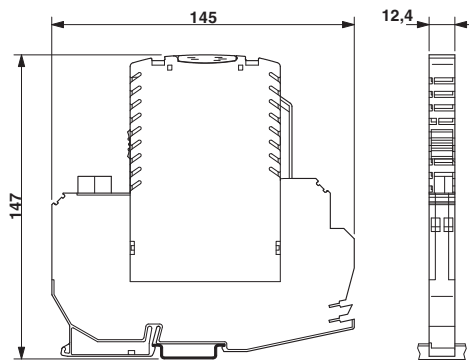
ETIM 2.0	EC001430
ETIM 3.0	EC001599
ETIM 4.0	EC001599
ETIM 5.0	EC001599

UNSPSC

UNSPSC 6.01	30211506
UNSPSC 7.0901	39121008
UNSPSC 11	39121008
UNSPSC 12.01	39121008
UNSPSC 13.2	39121008

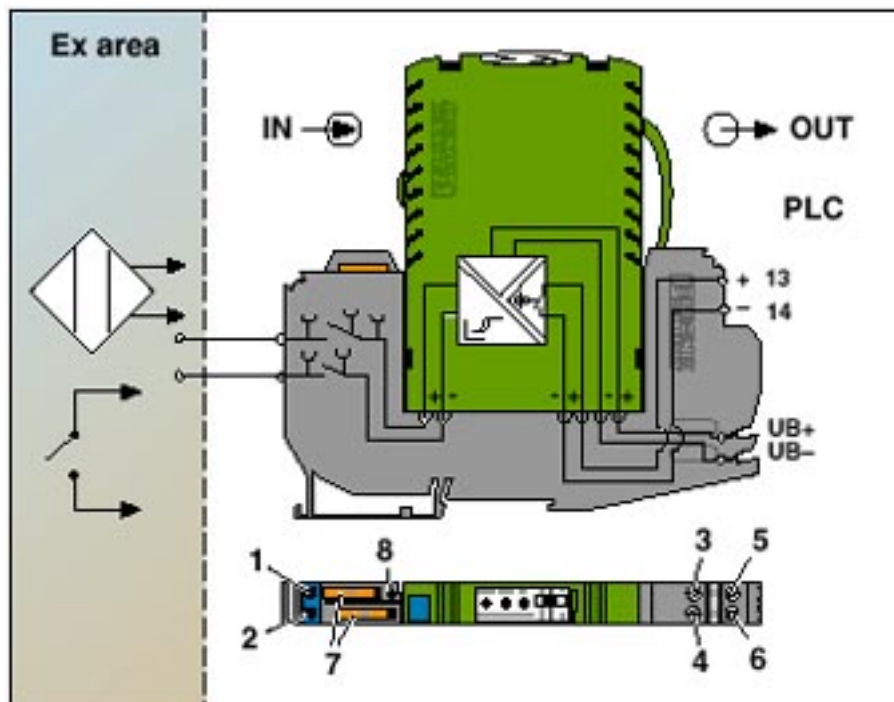
Drawings

Dimensioned drawing



Signal isolator - PI-EX-NAM/RNO - 2835053

Circuit diagram



- 1 ≙ input "+"
(Clamping screw with integrated female test connector)
- 2 ≙ input "-"
(Clamping screw with integrated female test connector)
- 3 ≙ Output
- 4 ≙ Output
- 5 ≙ U_{B+} / supply "+", 20...35 V DC
- 6 ≙ U_{B-} / supply "-"
- 7 ≙ Disconnect knife with integrated female test connector
- 8 ≙ Female test connector