



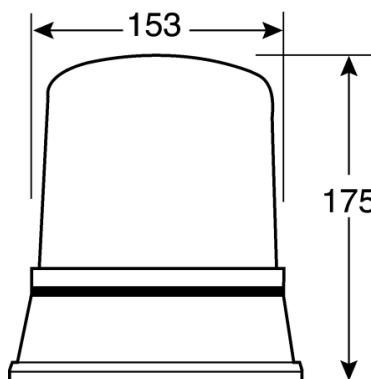
ENGLISH

Datasheet

Stock No: 235-506

RS Pro Xenon Beacon, Flashing, Surface Mount, 10 → 30 V dc

Dimensions (mm):



Product Details

14W Xenon Beacon

A high performance range suitable for 12/24V applications requiring maximum visibility e.g. construction, utility or agricultural vehicles

Vibration protected circuits

Reverse polarity protection

Supply voltage: 12/24Vdc

Current consumption: 2A / 1A @ 12/24V

Single or Double Flash operation possible

Flash Rate: 125 fpm

IP56 rated

Operating temperature range: -30°C to +50°C

Magnetic versions are rated to 70mph



ENGLISH

Note

Lens must be purchased separately.
DIN-mount stem only suitable for DIN mounting types.
Large cage guard only suitable for Three-point mounting type.

Approvals

ECE65 where Amber or Blue lens are used

Supplied with

Bulb

Specifications:

Supply Voltage	10 → 30 V dc
Light Effect	Flashing
Lens Colour	Lens Not Included
Mounting Style	Surface Mount
Bulb Type	Xenon
Current Type	DC
Base Diameter	153mm
Housing Colour	Black
Lamp Included	Yes
Series	V10994
Height	194mm
Minimum Temperature	-30°C
Maximum Temperature	+50°C