



TLCH Series

In-line wet rotor circulators for light commercial systems, fixed speed with manual adjustment.

2

SPECIFICATIONS

Delivery: up to 12 m³/h

Head: up to 12 m

Power supply: single-phase 50 Hz

Maximum power: 260 W to 400 W

Maximum operating pressure:
10 bar

Temperature of pumped liquid:
+2°C to +110°C

Insulation class: H

Protection: IP44

MATERIALS

Pump body: Cast iron cataphoretical coated

Impeller: Composite material

Shaft: Ceramic

Lower sleeve: Stainless steel

Bearings: Ceramic

Elastomers: EPDM

APPLICATIONS

- Water circulation in heating and air-conditioning systems for high head/high flow
- Pumping of chemically and mechanically non-aggressive hot or cold water



For a complete list of technical information, consult www.lowara.com

Engineered for life



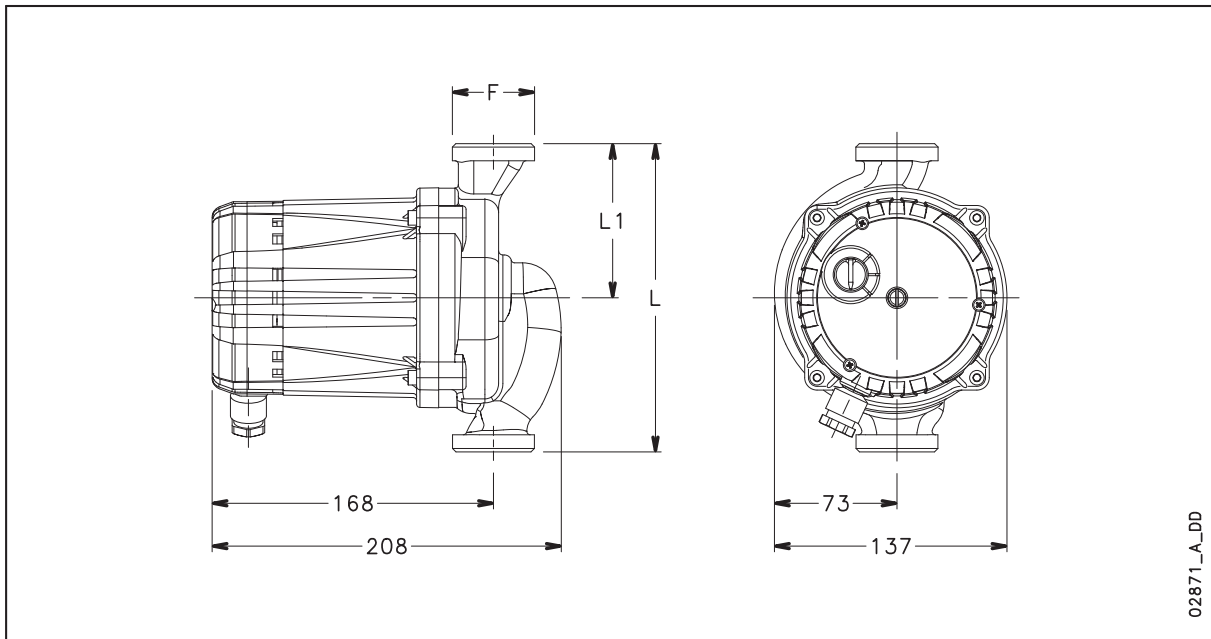
TLCH SERIES – HYDRAULIC PERFORMANCE TABLE

PUMP TYPE	ABSORBED POWER	NOMINAL INTENSITY	CAPACITOR		SPEED	Q = DELIVERY													
						V _{min} 0	20	40	60	80	100	120	140	160					
						m ³ /h 0	1,2	2,4	3,6	4,8	6,0	7,2	8,4	9,6					
230V 50Hz						H = TOTAL HEAD METRES COLUMN OF WATER													
	W	A	μF	V	min ⁻¹														
TLCH 25-7L	220	1,03	8,0	400	1	5,8	5,1	4,2	3,1	1,9	1,1								
TLCH 32-7L	228	1,04			2	6,7	6,2	5,4	4,4	3,3	2,2	1,2							
	260	1,13			3	7,1	6,7	6,1	5,2	4,2	3,2	2,3	1,4						
TLCH 25-8L	260	1,23	8,0	400	1	6,6	5,9	4,7	3,1	1,8	0,8								
TLCH 32-8L	270	1,24			2	7,5	7,0	6,2	5,1	3,9	2,7	1,7							
	286	1,25			3	8,0	7,6	6,9	5,9	4,8	3,7	2,7	1,7						
TLCH 25-10L	283	1,35	8,0	400	1	8,3	7,0	5,0	2,7	1,1									
TLCH 32-10L	343	1,44			2	9,4	8,7	7,7	6,3	4,6	3,1	1,7							
	357	1,56			3	10,0	9,5	8,8	7,7	6,5	5,1	3,8	2,6	1,5					
TLCH 25-12L	285	1,36	8,0	400	1	7,8	6,5	4,5	2,2	0,7									
TLCH 32-12L	372	1,69			2	10,4	9,6	8,5	6,9	5,2	3,4	1,9							
	400	1,73			3	11,9	11,2	10,3	9,2	7,7	6,2	4,7	3,3	2,0					

Performances according to standards EN 1151-1

tlch-2p50-en_a_th

TLCH SERIES – DIMENSIONS AND WEIGHTS



02871_A_DD

TLCH SERIES – DIMENSIONS AND WEIGHTS TABLE

PUMP TYPE	DIMENSIONS (mm)				WEIGHT
	H	H1	F	DN	
TLCH 25-7L	180	90	R 1	25	6,5
TLCH 32-7L	180	90	R 1¼	32	6,6
TLCH 25-8L	180	90	R 1	25	6,5
TLCH 32-8L	180	90	R 1¼	32	6,6
TLCH 25-10L	180	90	R 1	25	6,5
TLCH 32-10L	180	90	R 1¼	32	6,6
TLCH 25-12L	180	90	R 1	25	6,5
TLCH 32-12L	180	90	R 1¼	32	6,6

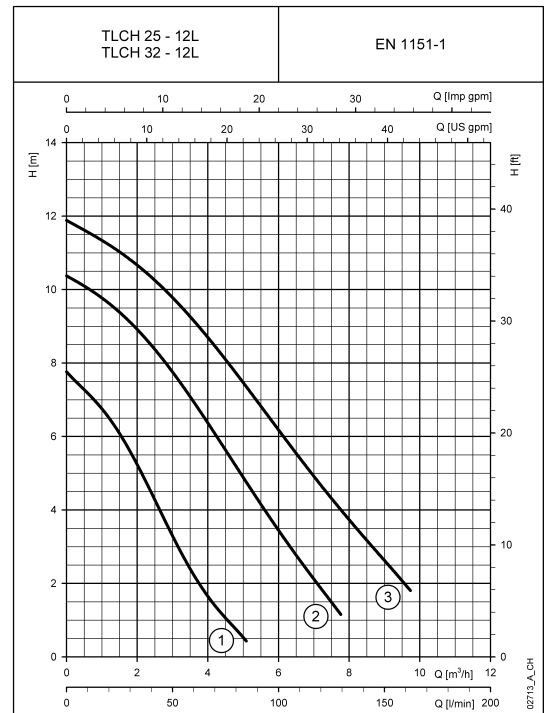
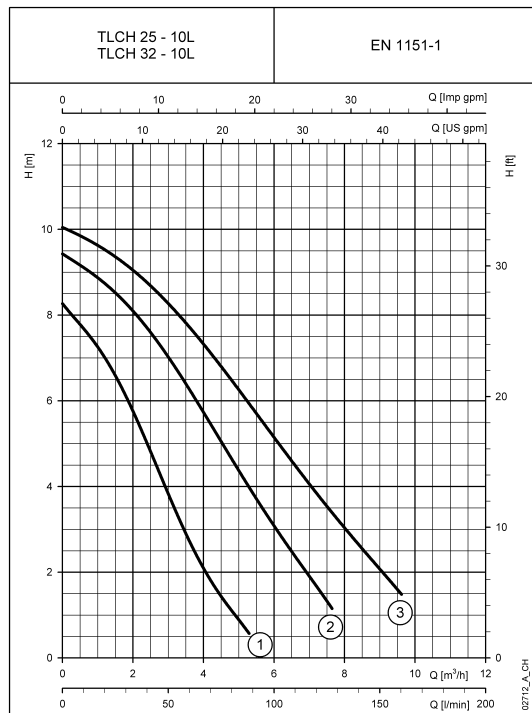
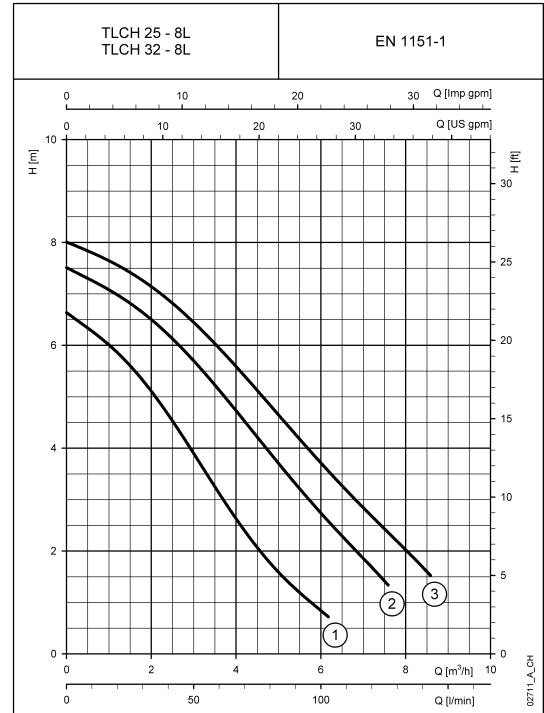
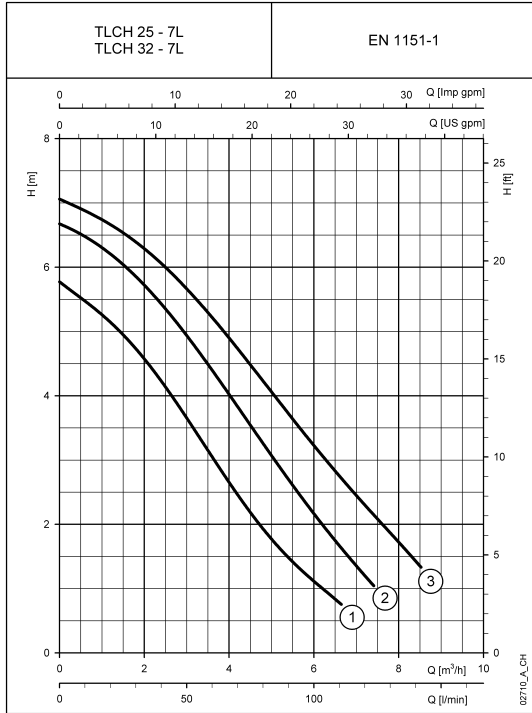
tlch-2p50-en_a_td

Engineered for life



General Catalogue

TLCH SERIES SINGLE-PHASE OPERATING VCHARACTERISTICS



These performances are valid for liquids with density $\rho = 1.0 \text{ kg/dm}^3$ and kinematic viscosity $\nu = 1 \text{ mm}^2/\text{s}$.

Engineered for life