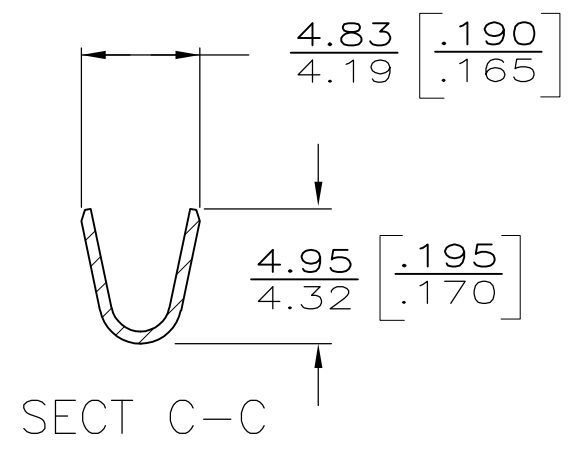
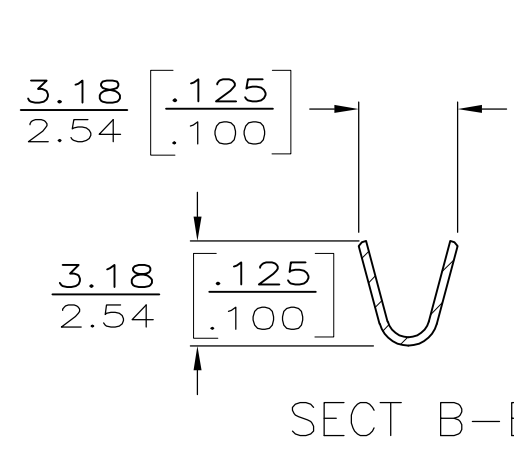
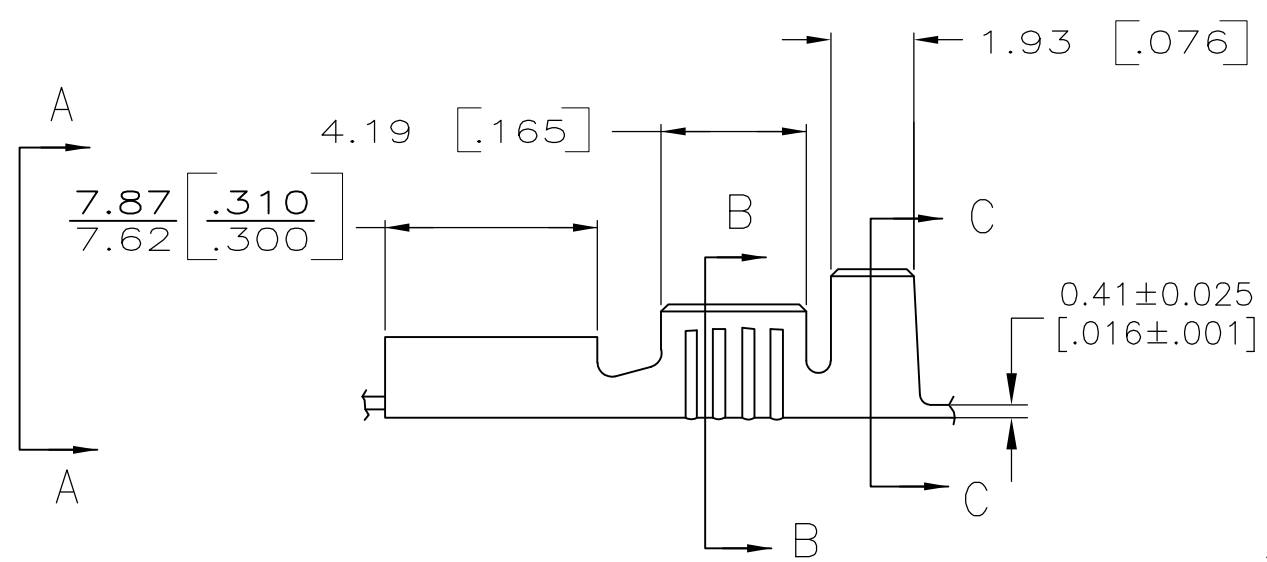
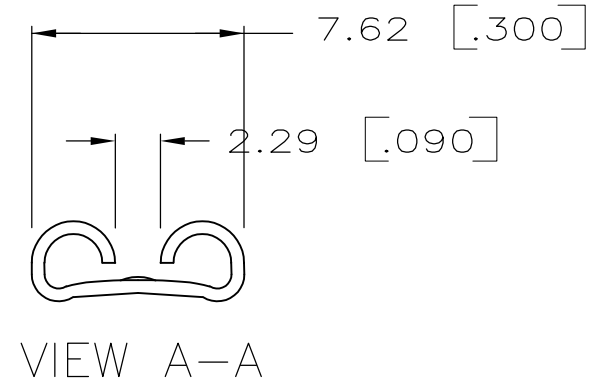
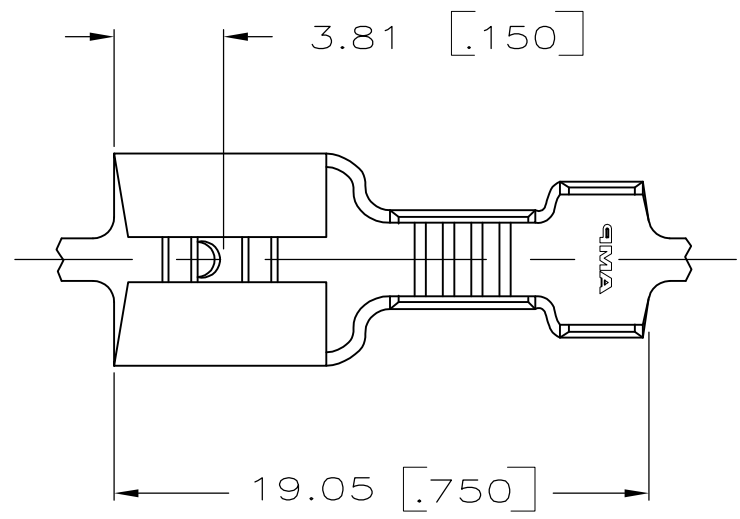


LOC		DIST		REVISIONS					
AF		50		P	LTR	DESCRIPTION	DATE	DWN	APVD
					U1	REVISED PER ECO-11-004917	11MAR11	RK	HMR

1- DIM'S IN BRACKETS ARE IN INCHES.
 2- CONTINUOUS STRIP ON REELS.
 3- FOR FOREIGN PRODUCTION ONLY



3	2.29-3.30 [.090-.130]	0.3-0.8mm [22-18]	0.81 ±0.025 [.032] ±.001	41771-1
	2.29-3.30 [.090-.130]	0.3-0.8mm ² [22-18]	0.81 ±0.025 [.032] ±.001	41771
	INSUL RANGE	WIRE SIZE	TAB THK.	PART NO.

F or O	3.30 [.130]	5.59 [.220]	F	2.29 [.090]	1.42 [.056]	0.8mm [18]
					1.30 [.051]	0.5mm [20]
					1.24 [.049]	0.3mm ² [22]
TYPE	WIDTH	STRIP LENGTH ±0.38 ±.015	TYPE	WIDTH	±.051 [±.002] HEIGHT	WIRE
INSUL BARREL CRIMP			WIRE BARREL CRIMP			

THIS DRAWING IS A CONTROLLED DOCUMENT.

DWN JR RUTH 2/7/86
 CHK G YETTER 2/7/86
 APVD R KUZO 2/7/86

TE Connectivity

RECEPTACLE, FASTON, 6.35 [.250] SERIES

SIZE A3 CAGE CODE 00779 DRAWING NO C-41771 RESTRICTED TO -

MATERIAL 4M BRASS FINISH - WEIGHT - APPLICATION SPEC - PRODUCT SPEC -

CUSTOMER DRAWING SCALE 4:1 SHEET 1 of 1 REV U1