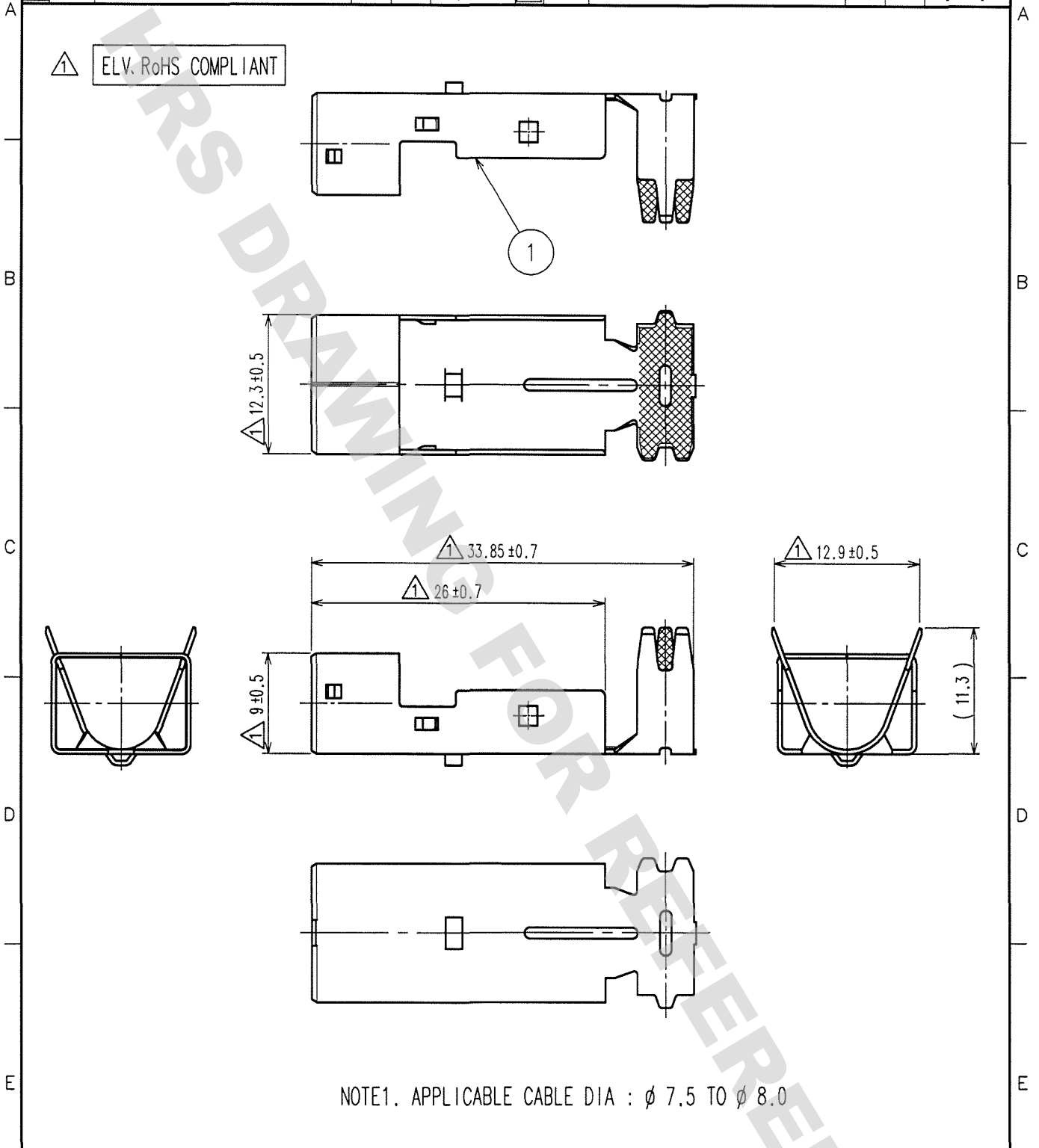


DRAWING FOR REFERENCE: This is subject to change without notice
08/11/2012

1		2			3			4		
COUNT	DESCRIPTION OF REVISIONS	BY	CHKD	DATE	COUNT	DESCRIPTION OF REVISIONS	BY	CHKD	DATE	
△ 6	DIS-T-000626	T.K	N.N	07.12.29	△					
△					△					
△					△					



1	COPPER ALLOY	TIN PLATED T=0.4
NO.	MATERIAL	FINISH, REMARKS

CODE NO. (OLD)	DRAWN	DESIGNED	CHECKED	APPROVED	RELEASED
	T.SHISHIKURA	T.SHISHIKURA	N.NAKATA	K.SATO	
	01.3.13	01.3.13	01.3.16	01.3.16	

TO
AMC

 SACLE 2 : 1 UNITS mm	DRAWING NO. EDC4-165727	PART NO. GT17VS-10DS-8CF
	 HIROSE ELECTRIC CO., LTD.	CODE NO. CL767-0059-9