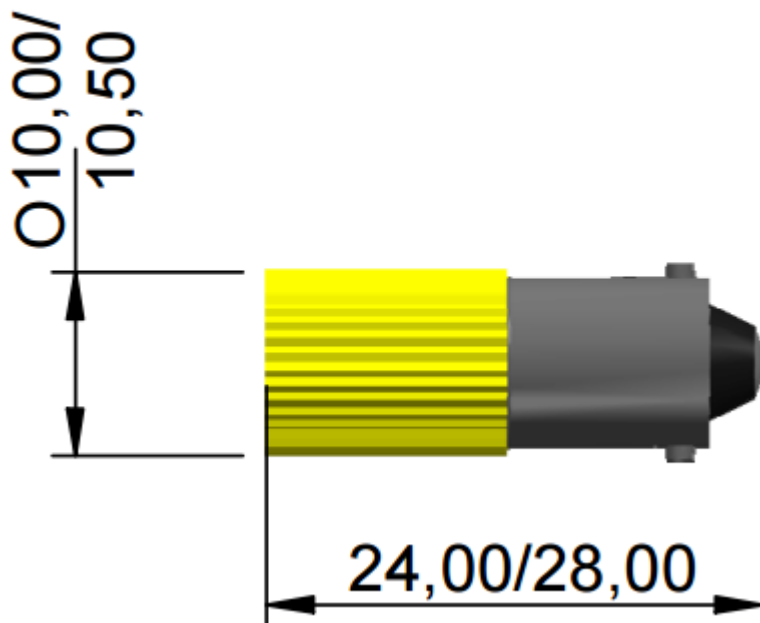


Datasheet

LED Indicator Lamp

RS ITEM NO 205-505



LED/Multiled	<i>Multiled</i>	Optimum voltage (V)	<i>12Vac/dc</i>	Intensity	<i>90mcd</i>
Mounting Size	<i>10x28</i>	Rectifier	<i>Half Wave</i>		
Mounting Finish		AC current	-		
Protection	-	DC current	<i>30mA</i>		
Mount Holder	<i>Ba9</i>	Voltage Tolerance (%)	<i>10%</i>		
Chip Qty	<i>8</i>	Optimum temperature (°C)	<i>-30°C...+60°C</i>		
Indicator colour	<i>Green</i>	Storage temperature (°C)	<i>-30°C...+60°C</i>		
Wavelength (nm)	<i>565</i>	Contact Tab	<i>Ba9 Base Cap</i>		



Dimension in mm (typical), not to scale.
We reserve the right to make changes without further notice to this product to improve reliability, function or design.