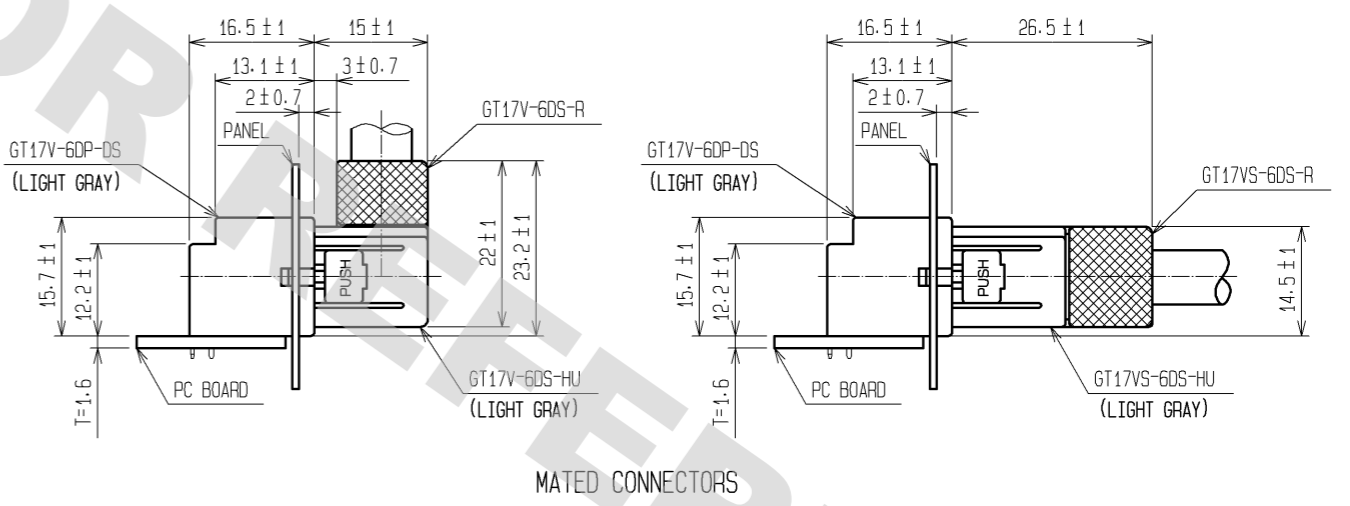
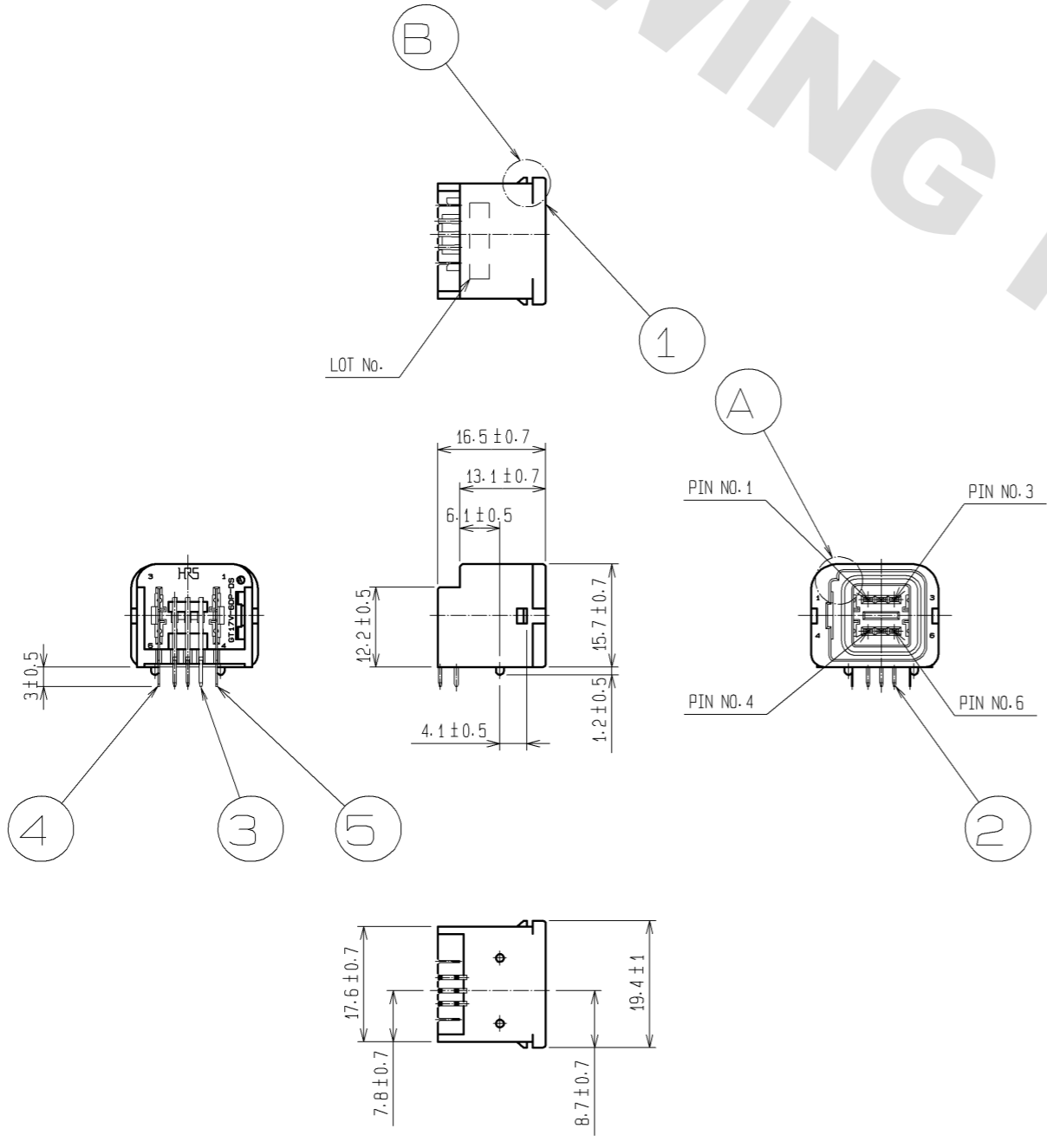
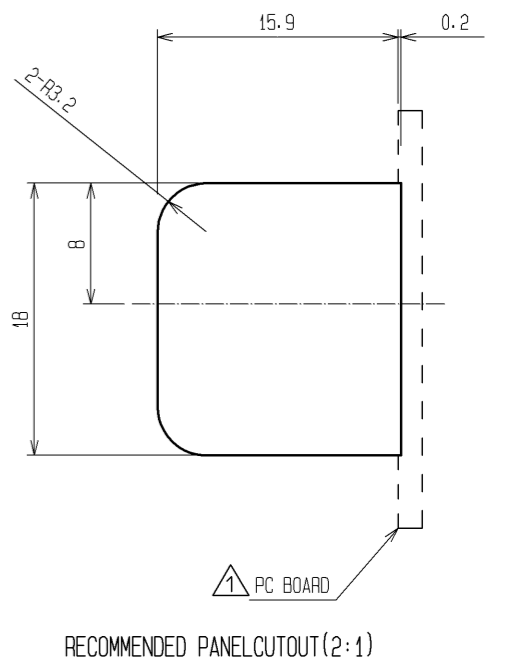
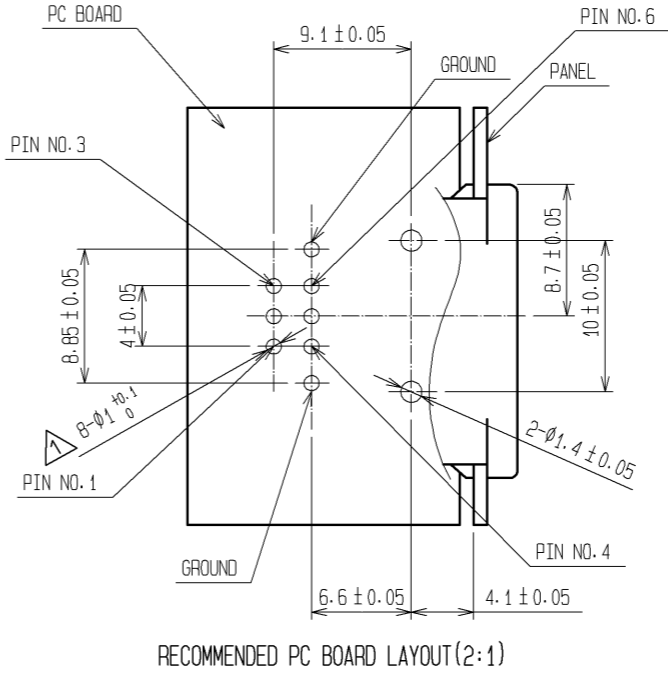
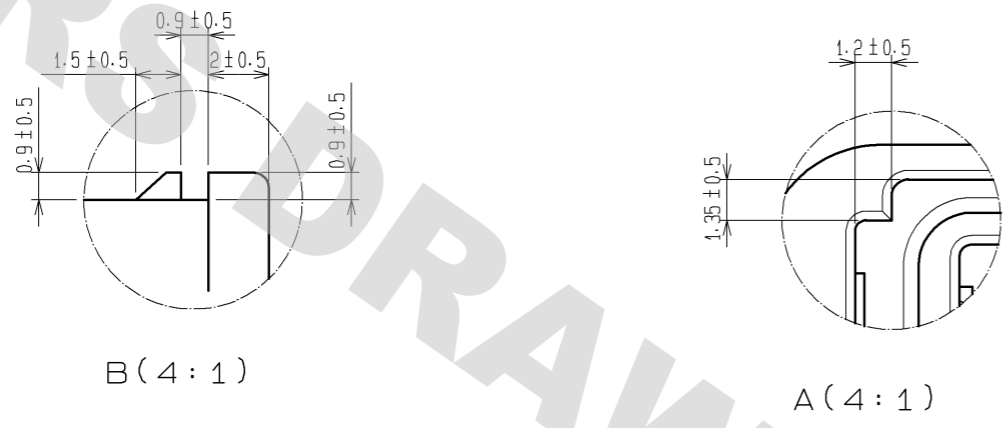


ELV. RoHS COMPLIANT



NO.	MATERIAL	FINISH . REMARKS	NO.	MATERIAL	FINISH . REMARKS
3	BRASS	TIN PLATED, T=0.64	5	COPPER ALLOY	TIN PLATED, T=0.25
2	BRASS	TIN PLATED, T=0.64	4	COPPER ALLOY	TIN PLATED, T=0.25
1	PBT	LIGHT GRAY			

UNITS	SCALE	COUNT	DESCRIPTION OF REVISIONS	DESIGNED	CHECKED	DATE
mm	1 : 1	2	DIS-T-001659	TS. KUBOTA	NH. NAKATA	10.03.29

APPROVED	DATE	DRAWING NO.
KS. SATOH	07.01.11	EDC3-165522-01
CHECKED	DATE	PART NO.
KS. SATOH	07.01.11	GT17V-6DP-DS(70)
DESIGNED	DATE	CODE NO.
SB. KURIYA	07.01.11	CL767-0024-4-70
DRAWN	DATE	
SB. KURIYA	07.01.11	

DRAWING FOR REFERENCE: This is subject to change without notice 08/11/2012