



ENGLISH

Datasheet

Stock No: 689-423

RS Pro Steel M10 Ball & Socket Joint, 47mm x 47.5mm



Product Details

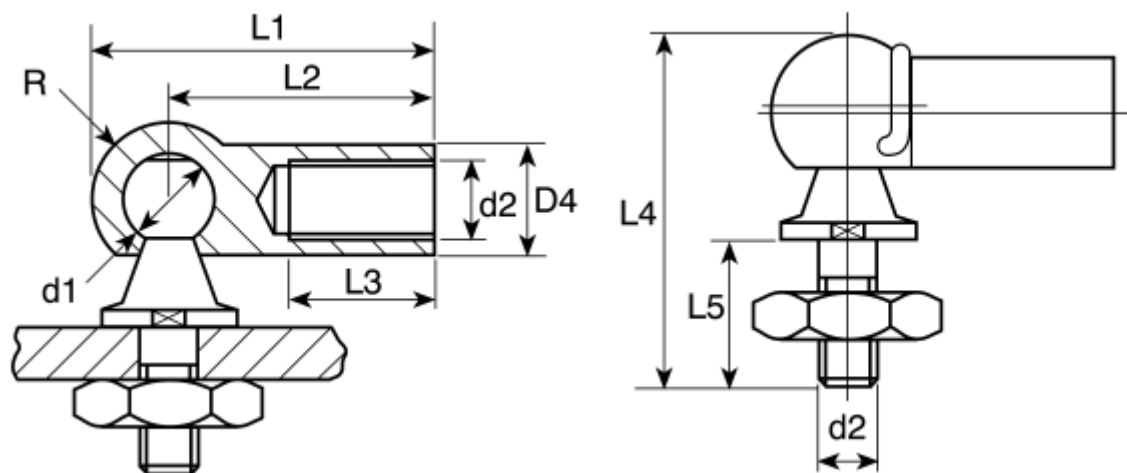
Ball and Socket Joints

Made to DIN71802 with zinc passivated finish
Induction hardened balls are wear resistant
Security clips retain ball studs in sockets
Static pull values for radial and axial loads
Supplied with locknut

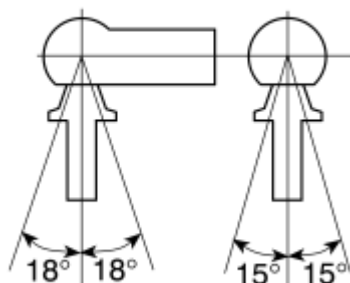
Specifications:

Accessory Type	Ball & Socket Joint
Rod Connection Thread	M10
Ball Diameter	16mm
Overall Length	47mm
Overall Width	47.5mm
Material	Steel
Finish	Zinc

Dimensions:



Working angles



Dimensions (mm)											
Size mm	D1	D2	D4	L1	L2	L3	L4	L5	R	A/F	min.pull-off force in N
5	8	M5	8	28.5	22	10.5	25	10.2	10.2	6.4	30
6	10	M6	10	32.5	25	11.5	30	12.5	7.5	8	40
8	13	M8	13	39.5	30	14.0	38	16.5	9.7	11	60
10	16	M10	16	47.0	35	15.5	47.5	20.0	12.0	13	80