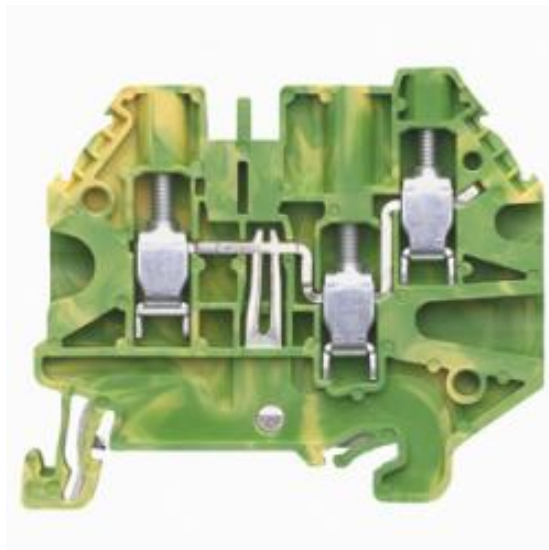


Datasheet

Art.No. 58.504.9355.0

Earth terminal WT 4 D1/2 PE

Duo ground DIN rail terminal block with 3 screw connections for mounting on TS 35; nominal cross section 4 mm<sup>2</sup>; width 6 mm; color green/yellow



Art.No.	58.504.9355.0
EAN	4049088164095
Order unit	100 pieces

Approvals



Technical data

General

Nominal cross section	4 mm <sup>2</sup>
Colour	Green/yellow
Number of levels	1
Number of clamp positions per level	3
Width/grid dimension	6 mm
Insulating housing	PA666
Inflammability class of insulation material acc. with UL94	V0
Mounting method	DIN rail (top hat rail)
Terminal blocks for electrical installations	Yes

Technical data

Rated voltage	500 V
Rated impulse voltage	6 kV
Pollution degree	3
Closing plate required	Yes
Type of insulation material	Thermoplastic
Length	56 mm

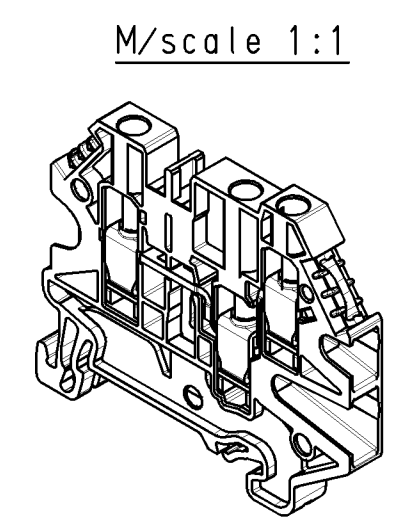
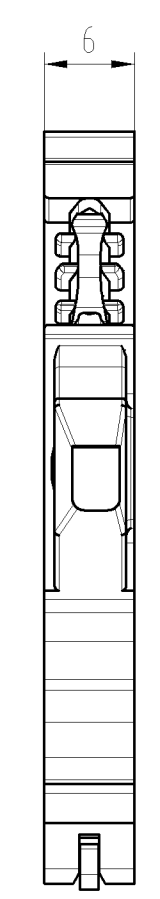
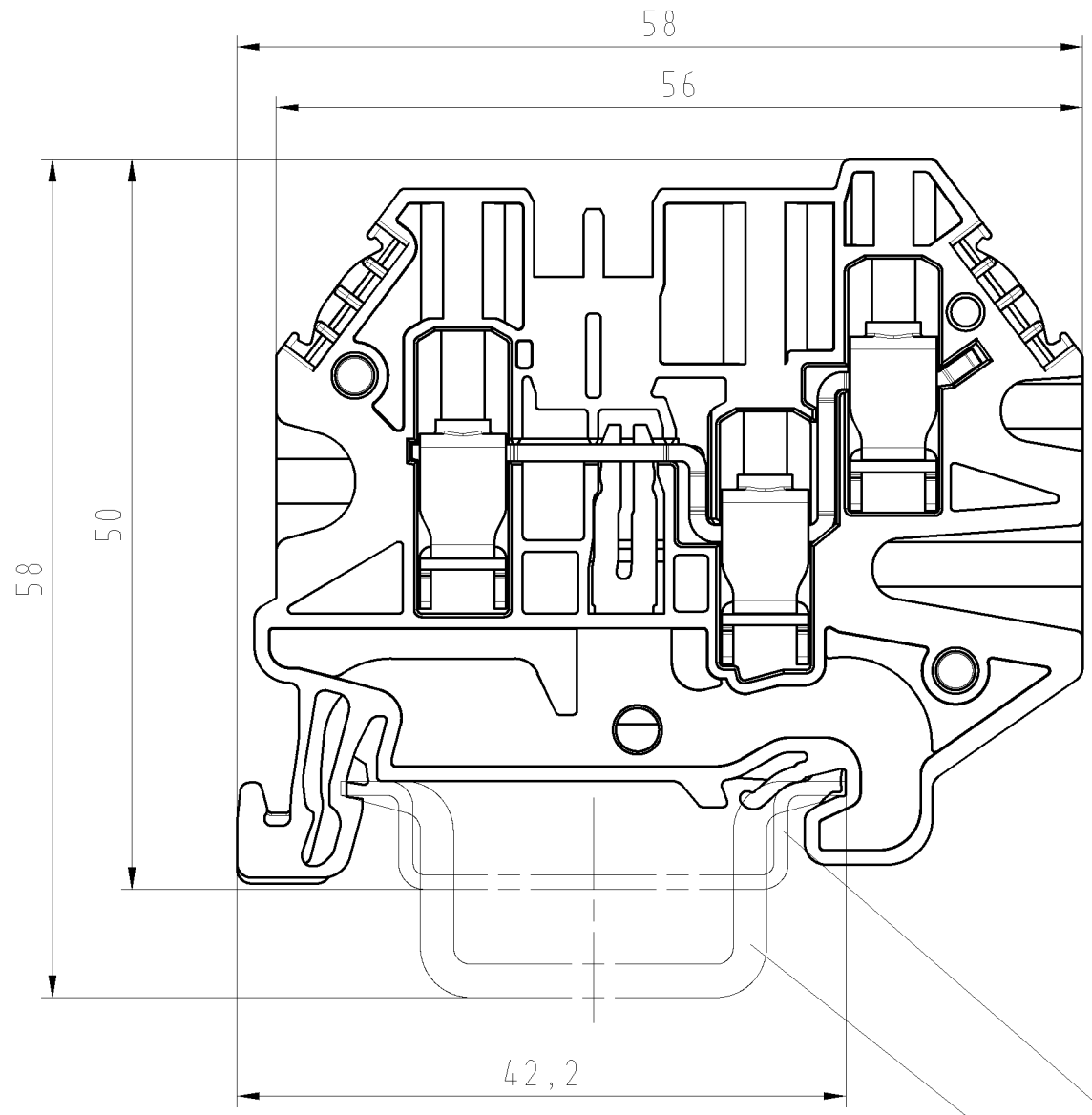
Connection Data

Connection type 1	Screw connection
Connection type 2	Screw connection
Minimum cross section solid	0.14 mm <sup>2</sup>
Maximum cross section solid	6 mm <sup>2</sup>

Minimum cross section fine stranded	0.14 mm <sup>2</sup>
Maximum cross section fine stranded	6 mm <sup>2</sup>
Maximum conductor cross section (flex., stranded) with cable end sleeve	0.5 mm <sup>2</sup>
Maximum conductor cross section (flex., stranded) with cable end sleeve	4 mm <sup>2</sup>
Wire strip length	9 mm
Torque conductor mounting	0.5 Nm

#### Technical Data UL/CSA

Cross section UL	26-10 AWG
Voltage UL	300 V
Cross section CSA	26-10 AWG
Voltage CSA	300 V



These dimensions will be especially checked at delivery  
 Only inspection dimensions  
 With /E marked dimensions are only valid for internal use

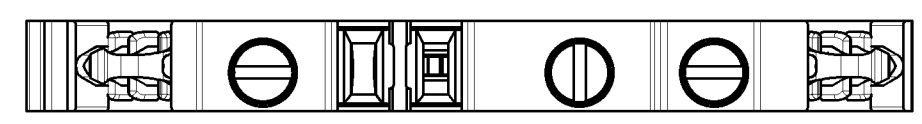
Diese Maße werden bei Abnahme besonders geprüft  
 Ausschließlich Prüfmaße  
 Mit /E gekennzeichnete Maße sind nur für interne Zwecke gültig

Hutschiene EN 60715-35x7,5  
 mounting rail EN 60715-35x7,5

Hutschiene EN 60715-35x15  
 mounting rail EN 60715-35x15

\* = spezielle Verpackung / special package

Teile-Nr. part-no.	Farbe color
58.504.9355.0	grün/gelb (marmoriert)
* 58.504.9395.0	green/yellow (marmorated)



Tolerierung nach DIN 7167/Tolerance system acc. to DIN 7167. (This DIN-standard describes the envelope principle. According to the envelope principle the deviations of form and parallelism are limited by the size tolerances).				ja/yes <input checked="" type="checkbox"/> Stoffverbots- und Deklarationsliste nach UU-TOM-05/03 ist einzuhalten. Conformity with Wieland document UU-TOM-05/03 (list of prohibited / declarable hazardous substances) to be declared!			
Freitoleranz nach General tolerance		CAD - Zeichnung, keine manuellen Änderungen CAD - drawing, no manual modifications allowed		1. Verwendung: - First Use:		Blatt: 1 von 1 Sheet: of 1	
		Werkstoff/Material		2013 gezeichnet drawn	Tag/Date 18.01	Name Eller	
		Maßstab/Scale 2:1		geprüft checked	-	T 58.504.9355.0 01K	
		Vol. mm <sup>3</sup> Ofl./Surf. mm <sup>2</sup>		Normgepr. Stand. check	-	Maße in mm/Dimensions are in mm	
		Vol. mm <sup>3</sup> Ofl./Surf. mm <sup>2</sup>		Ersatz für/Replacement for: -			
		wieland		Type WT 4 D1/2 PE	Benennung/Title SCHUTZLEITERKLEMME ground terminal block		
Index	Datum / Blatt Date / Sheet						
Änderung/Revision							

585049355001K\_2\_CADW3070\_U0016728\_2013-01-21T12:39:02 1.000