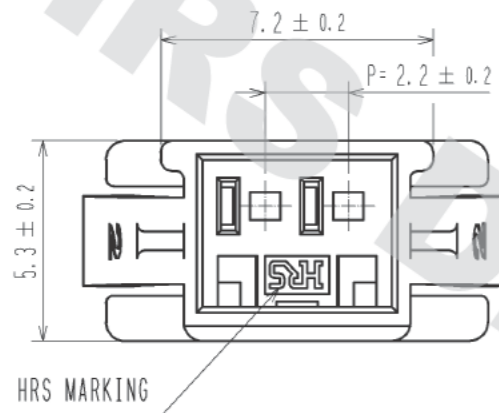
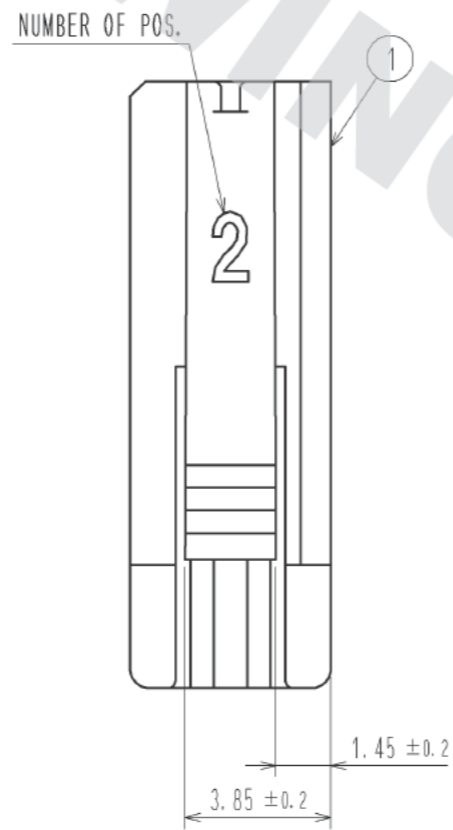
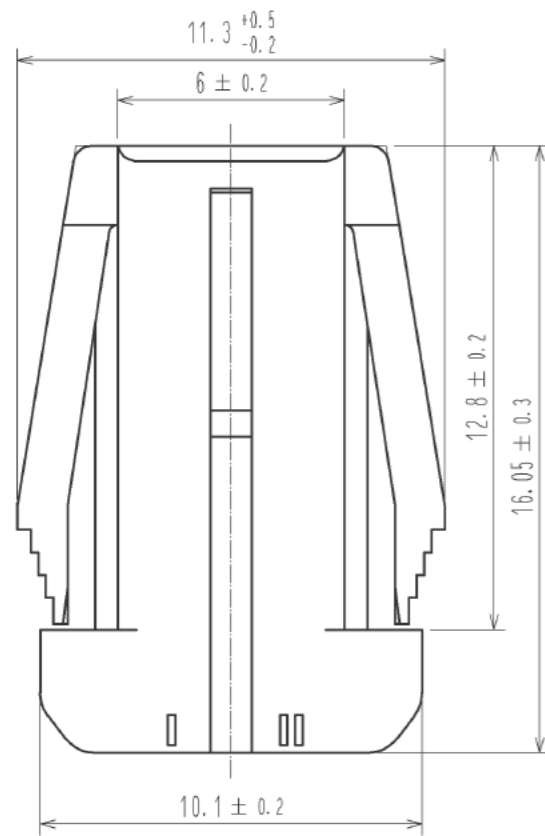
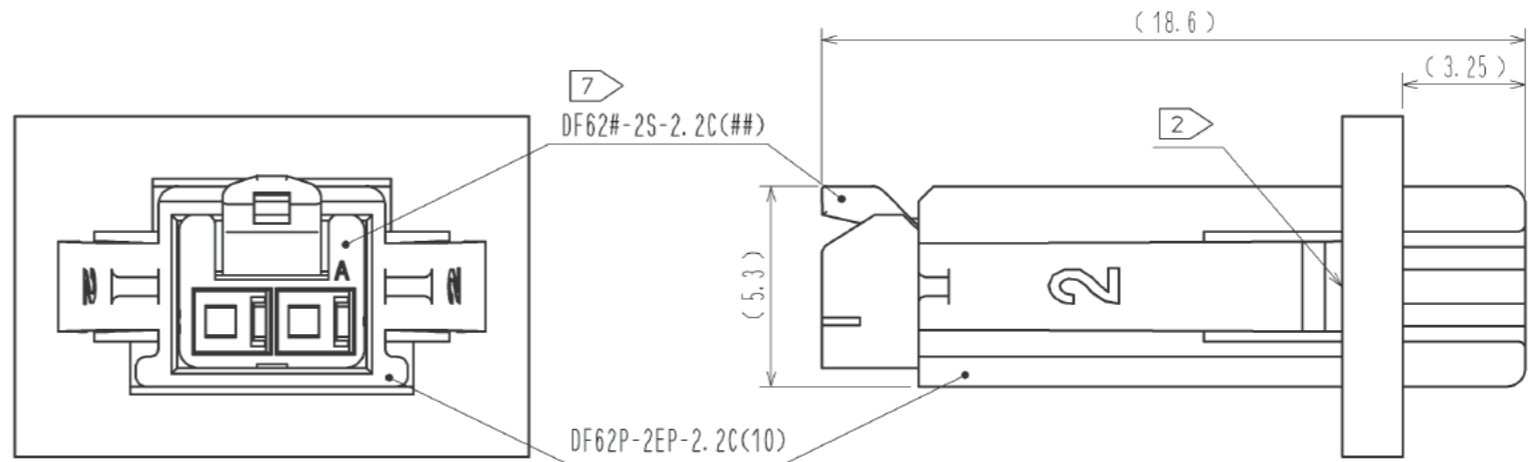


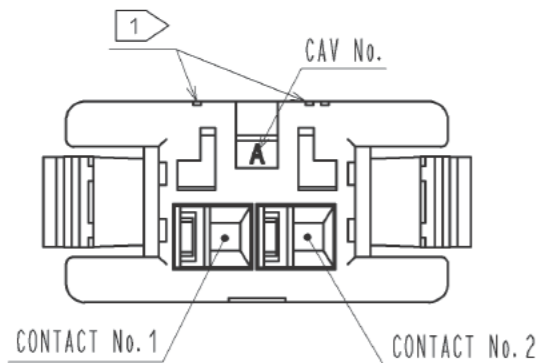
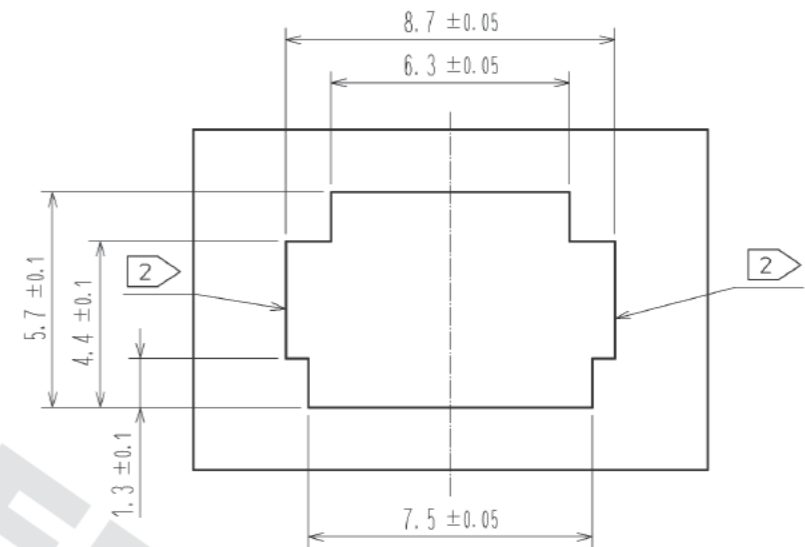
DRAWING FOR REFERENCE: This is subject to change without notice  
05/31/2014



7 MATING FIGURE ( PANEL MOUNTED )



3 4 RECOMMENDED PANEL CUTOUT DIMENSION



1 FIGURE-1 CONTACT No. MARKING (10:1)



- NOTE. 1 MARKINGS AT THE INDICATED POSITIONS ARE CONTACT NO. MARKING. AND SHAPES ARE SHOWN IN FIGURE-1.  
 2 PLEASE USE THE NON-RADIUS SIDE FOR THE PANEL HOOKING AREA.  
 3 APPLICABLE PANEL THICKNESSING IS 2.3 TO 0.5mm.  
 4 CONSULT HIROSE FOR THE OTHER PANEL CUTOUT DESIGNS THAN THE RECOMMENDED ONE.  
 5. PER PACK : 100 PIECES.  
 6. THE DIMENSIONS IN PARENTHESIS ARE FOR REFERENCE.  
 7 THIS FIGURE SHOWS THE MATED CONDITION WITH DF62B-2S-2.2C.

NO.	MATERIAL	FINISH . REMARKS	NO.	MATERIAL	FINISH . REMARKS
			1	PBT	UL94V-0<WHITE>
UNITS mm		SCALE 5 : 1	DESIGNED		
		COUNT	CHECKED		
		DESCRIPTION OF REVISIONS	DATE		
<b>HRS</b> HIROSE ELECTRIC CO., LTD.	APPROVED : KI. AKIYAMA	14. 03. 10	DRAWING NO. EDC3-349135-01		
	CHECED : HK. UMEHARA	14. 03. 10	PART NO. DF62P-2EP-2. 2C(10)		
	DESIGNED : TS. KUMAZAWA	14. 03. 07	CODE NO. CL544-0543-1-10		
	DRAWN : TS. KUMAZAWA	14. 03. 07			