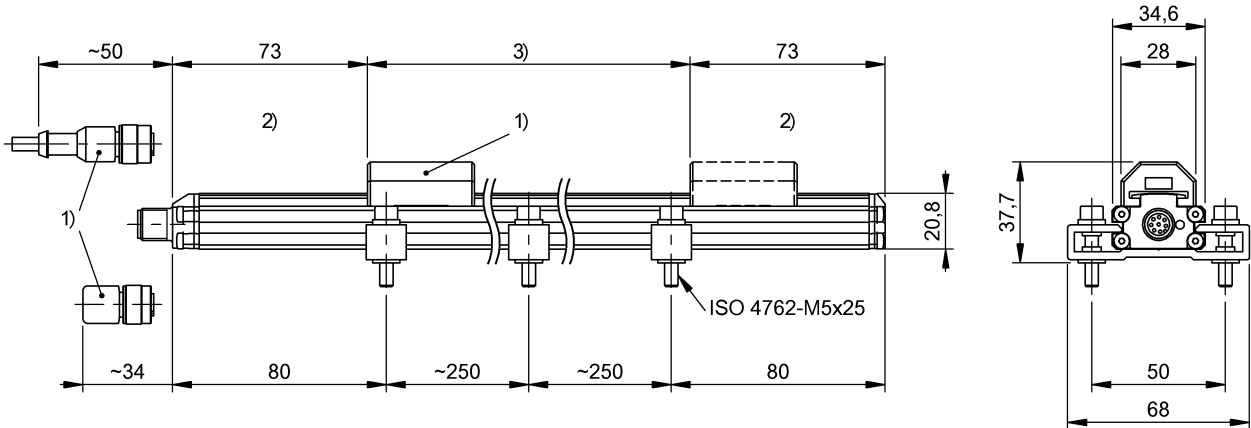


BTL6-E500-M0500-PF-S115
Ordering code: BTL0KEJ

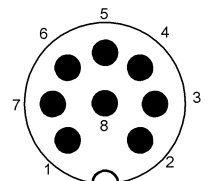
Micropulse transducers
Series Profile

Output signal 4...20 mA
Nominal stroke 500 mm

BALLUFF
sensors worldwide



Pin	
1	NC
2	OV
3	NC
4	Lb
5	4...20 mA
6	GND
7	+24 V DC
8	Lb



1) Not incl. in scope of del., 2) Unusable area, 3) Nom. stroke = Meas. length

Characteristic data

Output signal 4...20 mA
 Connection Connector, M12
 Operating voltage 10...30 V DC
 No of magnets, factory setting 1

Electrical data

Ripple 0.5 Vpp
 Current consumption (at 24 V DC) ≤ 150 mA
 Inrush current ≤ 3 A / 0.5 ms
 Overvoltage protected Up to 36 V
 Voltage-proof (GND – housing) 500 V DC
 Galvanic isolation No
 Output signal adjustable Via programming inputs
 Number of magnets max. 1
 For dynamic loop applications No
 Programming inputs 10 ... 30 V DC, High-active
 Error signal Ia rising 3.6 mA

Mechanical data

Version Type PF
 Mounting type Mounting clamps
 nominal stroke min. 50 mm
 nominal stroke max. 4572 mm
 Connector type M12
 Cable/connector out Axial
 Number of pins 8
 Housing material Anodized aluminum

Resolution 700 nA
 Repeat accuracy ±0.002 % FS
 TK, typ. (at 50% of 500 mm) ≤ 30 ppm/K
 Ambient temperature Ta min. -25 °C
 Ambient temperature Ta max. 70 °C
 Storage temperature min. -40 °C
 Storage temperature max. 100 °C
 Relative humidity < 90 %, non-condensing
 Null point 73 mm

Basic data

Short-circuit protected to GND and to 36 V DC
 Protected against polarity reversal Up to 36 V
 Enclosure Type per IEC 60529 IP67 (with connector)
 EN 60068-2-27 (shock) 50 g / 6 ms
 EN 60068-2-29 (cont. shock) 50 g / 2 ms
 EN 60068-2-6 (vibration) 12 g, 10...2000 Hz
 EN 60068-2-64 (noise) 5 g, 10...2000 Hz
 EN 55016-2-3 (emission) Indust. and residential area
 EN 61000-4-2 (ESD) Severity Level 3
 EN 61000-4-3 (RFI) Severity Level 3
 EN 61000-4-4 (burst) Severity Level 3
 EN 61000-4-5 (surge) Severity Level 2
 EN 61000-4-6 (HF fields) Severity Level 3
 EN 61000-4-8 (magnetic fields) Severity Level 4
 Approvals CE, cURus

Remarks

BTL6-E500-M0500-PF-S115
Ordering code: BTL0KEJ

Micropulse transducers
Series Profile

Output signal 4...20 mA
Nominal stroke 500 mm

BALLUFF
sensors worldwide

