

**Specification Status: Released**

**Maximum Electrical Rating**

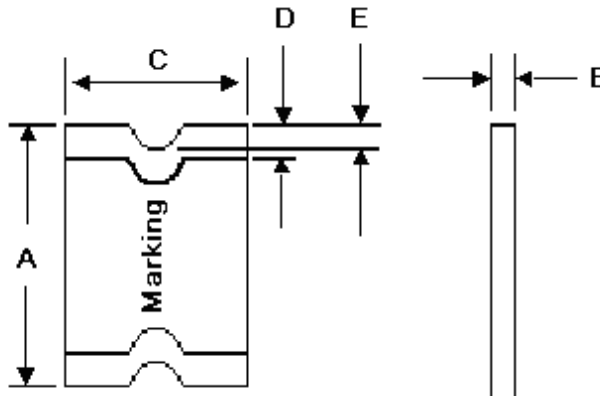
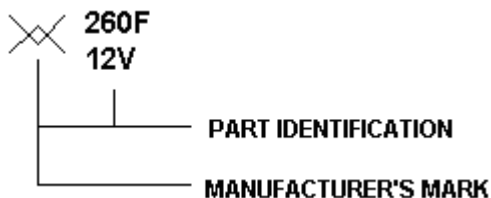
**Voltage: 12V<sub>DC</sub>**

**Short Circuit Current: 100A**

**Notes:**

1. All terminations are tin plated.
2. Drawing not to scale

**Marking:**



**TABLE I. DIMENSIONS:**

	A		B		C		D		E
	MIN	MAX	MIN	MAX	MIN	MAX	MIN	MAX	MIN
mm:	4.37	4.83	1.02	1.52	3.07	3.41	0.25	0.95	0.20
in:	(0.172)	(0.190)	(0.042)	(0.060)	(0.121)	(0.134)	(0.010)	(0.040)	(0.008)

**TABLE II. PERFORMANCE RATINGS:**

CURRENT RATINGS**						TIME TO TRIP**	RESISTANCE VALUES		TRIPPED-STATE POWER DISSIPATION**
AMPERES AT 0°C HOLD	AMPERES AT 20°C TRIP	AMPERES AT 60°C HOLD	AMPERES AT 60°C TRIP			SECONDS AT 20°C, 8A MAX	OHMS AT 20°C MIN   MAX*		WATTS AT 20°C, 12V MAX
3.0	6.2	2.6	5.0	2.0	4.0	5	0.015	0.047	1.0

\* Maximum resistance is measured 1 hour after reflow

\*\* Values Specified were determined using PCB's with 0.070"X1.5 ounce copper traces.

Agency Recognitions: UL, CSA and TÜV  
 Reference Documents: PS300  
 Precedence: This specification takes precedence over documents referenced herein.  
 Effectivity: Reference documents shall be the issue in effect on the date of invitation for bid.  
 CAUTION: Operation beyond the rated voltage or current may result in rupture, electrical arcing or flame.

**Materials Information**

**ROHS Compliant**

Directive 2002/95/EC  
Compliant

**ELV Compliant**

Directive 2000/53/EC  
Compliant

**Pb-Free**



**Halogen Free\***



\* Halogen Free refers to: Br≤900ppm, Cl≤900ppm, Br+Cl≤1500ppm