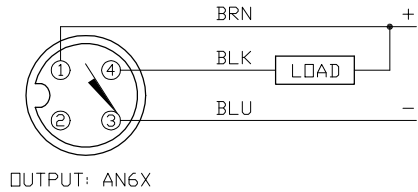


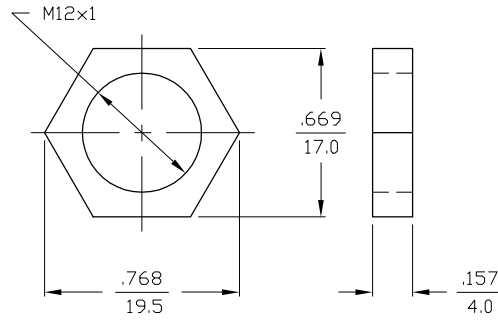
WIRING DIAGRAMS



OUTPUT: AN6X

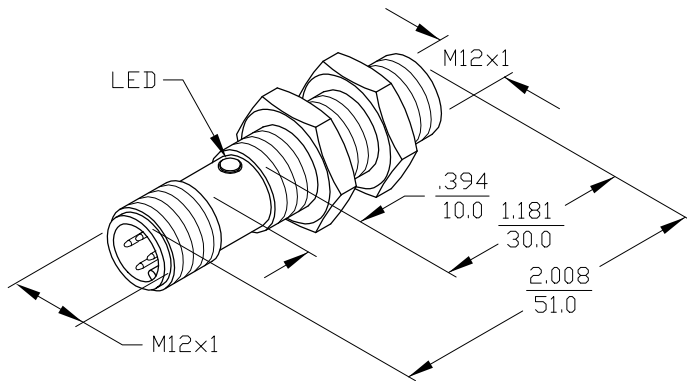
SHORT-CIRCUIT AND OVERLOAD PROTECTED

LOCKNUT LN-P12



SPECIFICATIONS

OPERATING VOLTAGE	10-30 VDC
RIPPLE	≤10%
HYSTERESIS (DIFFERENTIAL TRAVEL)	3-15% (5% TYPICAL)
VOLTAGE DROP ACROSS CONDUCTING SENSOR	≤1.8 V at 200 mA
OUTPUT FUNCTION	NORMALLY OPEN 3-WIRE DC SELF-CONTAINED
TTL COMPATIBLE	NO
SHORT-CIRCUIT PROTECTED	YES
TRIGGER CURRENT FOR OVERLOAD PROTECTION	≥220 mA
CONTINUOUS LOAD CURRENT	≤200 mA
LEAKAGE (OFF-STATE) CURRENT	<10 μA
NO-LOAD CURRENT	5.5-9.5 mA
TIME DELAY BEFORE AVAILABILITY	≤8 ms
POWER-ON EFFECT PROTECTION	INCORPORATED
POLARITY INVERSION PROTECTION	INCORPORATED
WIRE BREAK PROTECTION	INCORPORATED
PROTECTION AGAINST TRANSIENTS	2 kV, 1 ms, 1 kΩ
OPERATING TEMPERATURE	-25°C to +70°C (-13°F to +158°F)
ENCLOSURE	MEETS NEMA 1, 3, 4, 6, 13 AND IEC IP67
SHOCK	30 g, 11 ms
VIBRATION	55 Hz, 1 mm AMPLITUDE (IN ALL 3 PLANES)
LED FUNCTION	RED: OUTPUT ENERGIZED
SENSING RANGE	4 mm .157" (NOMINAL)
SWITCHING FREQUENCY	2000 Hz
REPEATABILITY	≤2% of NOMINAL SENSING RANGE
SHIELDED	NO



MATERIAL PA 12-GF30 PLASTIC BARREL		3RD ANGLE PROJECTION				TURCK INC 3000 CAMPUS DRIVE MINNEAPOLIS, MN 55441 PHONE: (612) 553-9224	
FINISH		PART NO. Ni4-S12-AN6X-H1141					
DRWN SMW	DATE 8/10/87	SIZE B		ID NO. 4652300		REV B	
CHKD	DATE	SCALE NONE		BPQD-D\4652300		SHEET ___ OF ___	
TMI		DIMENSIONS ARE IN INCHES					
		mm					

B	SEE REVISION DOCUMENT CP-NS12	RJP	9/14/92	
REV	DESCRIPTION	DRFT	DATE	CHKD
REVISIONS				