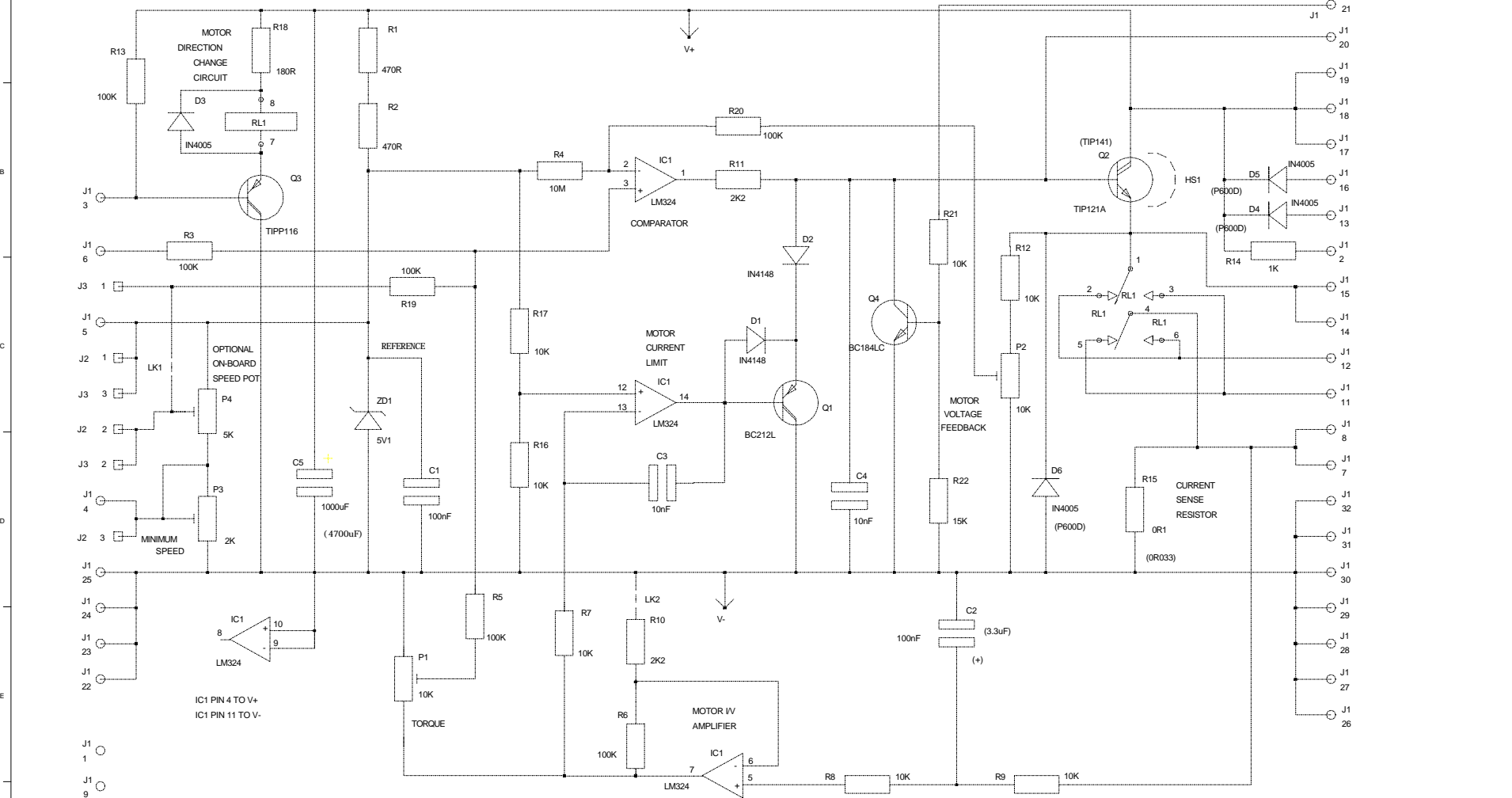


ISSUE	EDN	CHANGE	GRID REF.	CHGCD	DRAWN	CHD.	DATE
1		ISSUE 3 PCB - ECR001			NLA		

**OPTIONAL COMPONENTS**  
 C5, D3, D4, D5, J2, J3, LK1, P4  
 Q3, RL1, R3, R13, R14, R18, R19

**303 VARIANTS**  
 ( ) VALUES FOR C2, Q2, R15, D4, D5, D6  
 HS1 NOT FITTED OR SUPPLIED  
 Q2 MOUNTED OFF BOARD

FX1  1 FX2  1  
 FX3  1 FX4  1



**CRITICAL DIMENSIONS ARE MARKED**

**PROJECTION**  
 DO NOT SCALE  
 All rights reserved.  
 This drawing is to be used for reference purposes only and no part may be reproduced, stored in a retrieval system or used by a third party for any other purpose without written permission from WATSON-MARLOW LIMITED.

**SURFACE TEXTURE VALUES IN µM**  
 MACHINE WHERE MARKED  Ra  
 REMOVE BURRS AND SHARP EDGES  
 MATERIAL: ---  
 W-M PT. No: ---  
 TREATMENT: ---  
 FINISH: ---

**ORIGINAL SHT. SIZE A3.**  
**ORIGINAL SCALE** 1:1  
**DIMENSIONS IN MILLIMETRES**  
 TOLERANCES UNLESS OTHERWISE STATED  
 MILLIMETRES ±0.4 ANGULAR ±0.5°  
 ONE DECIMAL ±0.2  
 TWO DECIMAL ±0.1  
 HOLES ±0.1

**Watson-Marlow Limited**  
 Falmouth Cornwall TR11 4RU England  
 Telephone 01326 370370 International +44 1326 370370  
 Fax 01326 376009

**TITLE**  
**OEM SPEED CONTROL PCB**  
**CIRCUIT DIAGRAM**

DRAWN	NASHBURN	DATE	8.2.96
ISSUED BY:		DATE	
FIRST USED ON			
SIMILAR TO	---		
SUPERSEDES			
SHEET No.	1 OF 1		
DRAWING / PART NO.			

**CD0308**