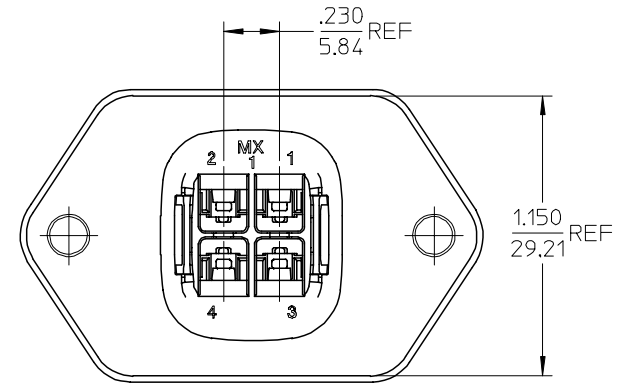
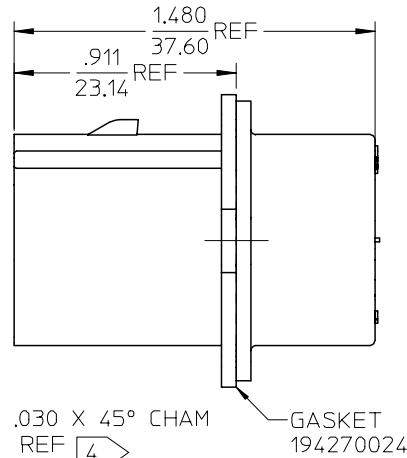
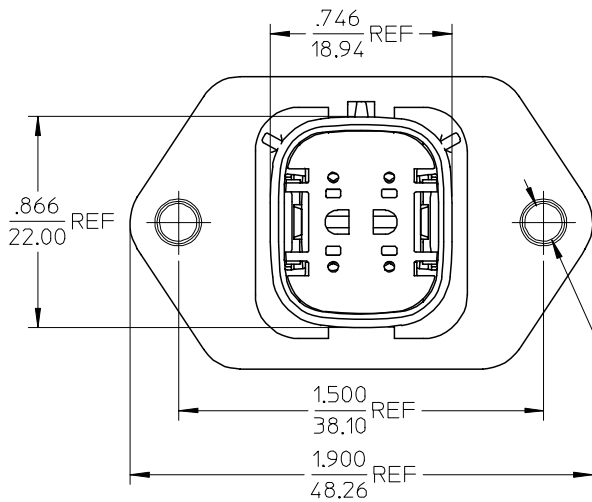


ASSEMBLED VIEW
SCALE 1:1



194290043	YES
194290025	NO
MATERIAL NUMBER	GASKET

NOTES:

1. ASSEMBLY BULK PACKAGED PER PK-19429-001.
 2. USE CONNECTOR WITH MALE CRIMP TERMINAL: SERIES 19417.
 3. PLUG PANEL MOUNT ASSEMBLY DESIGNED TO MATE TO 19418 SERIES RECEPTACLE ASSEMBLIES.
- 4 HOLE IS DESIGNED TO ACCEPT #6 FASTENER.

EC NO: ETC2005-0118 DRWN:BRUPERT 2005/01/20 CHKD:JPALWICK 2005/01/20 APPR:RDEROSS 2005/01/20	QUALITY SYMBOLS ▽ = 0 ▽ = 0	GENERAL TOLERANCES (UNLESS SPECIFIED)		SCALE 2:1	DESIGN UNITS INCH	THIRD ANGLE PROJECTION	REVISE ON CAD ONLY
		4 PLACES ± --- ± ---	3 PLACES ± --- ± .015	DIMENSION STYLE IN/MM	TITLE 4 WAY PLUG PANEL MOUNT ASSEMBLY W/O BOSS 22-14 AWG		
A	DESCRIPTION	2 PLACES ± 0.38 ± ---	1 PLACE ± --- ± ---	DRAWN BY DMYRICK	DATE 07/19/04	MATERIAL NO. SEE CHART	DOCUMENT NO. SD-19429-011
		ANGULAR ± 1 °		CHECKED BY JPALWICK	DATE 07/19/04		
		DRAFT WHERE APPLICABLE		APPROVED BY RDEROSS	DATE 07/19/04	THIS DRAWING CONTAINS INFORMATION THAT IS PROPRIETARY TO MOLEX INCORPORATED AND SHOULD NOT BE USED WITHOUT WRITTEN PERMISSION	
		MUST REMAIN WITHIN DIMENSIONS					