


Ordering number C11816
Description 1

Family	Strada-SQ	FWHM	Asym degrees
Type	Lens	Efficiency	87 %
LED	XP-G	cd/lm	-
Color	Clear	Gerber File	Available
Diameter	25 + 25 mm		
Height	8.77 mm		
Style	Square		
Optic Material	PMMA		
Holder Material	-		
Fastening	-		
Status	Ready		

Ordering number CA11817
Description 1

Family	Strada-SQ	FWHM	Asym degrees
Type	Assembly	Efficiency	87 %
LED	XP-G	cd/lm	-
Color	Clear	Gerber File	Available
Diameter	25 + 25 mm		
Height	8.92 mm		
Style	Square		
Optic Material	PMMA		
Holder Material	-		
Fastening	-		
Status	Ready		

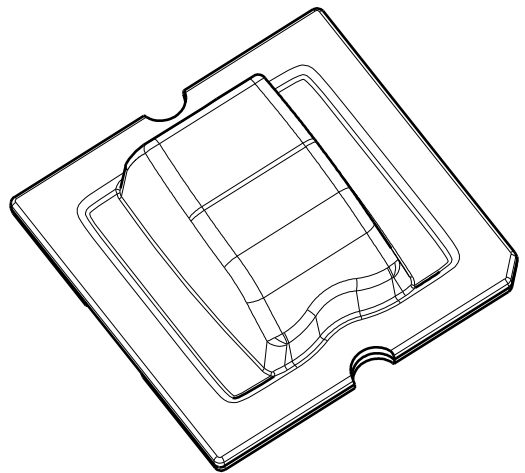


PRODUCT DATASHEET
Strada-SQ series
last update 8/3/2013

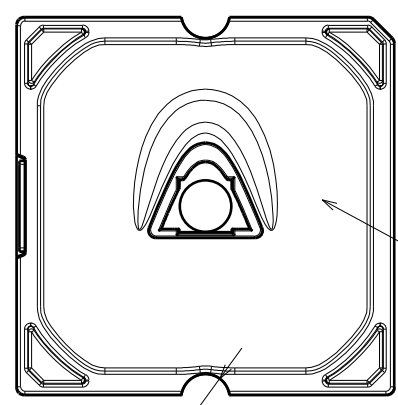
NOTE: The typical divergence will be changed by different color, chip size and chip position tolerance. The typical total divergence is the full angle measured where the luminous intensity is half of the peak value.

D C B A

4



Isometric view

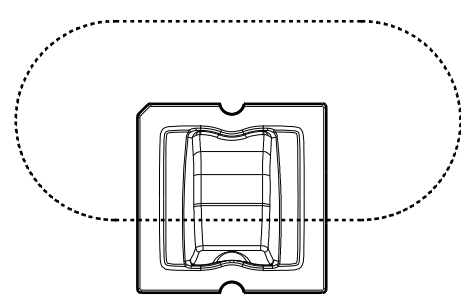


Tape area

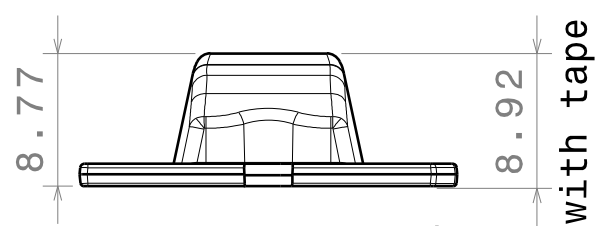
$\phi 3.2$

Bottom view

3



Beam direction



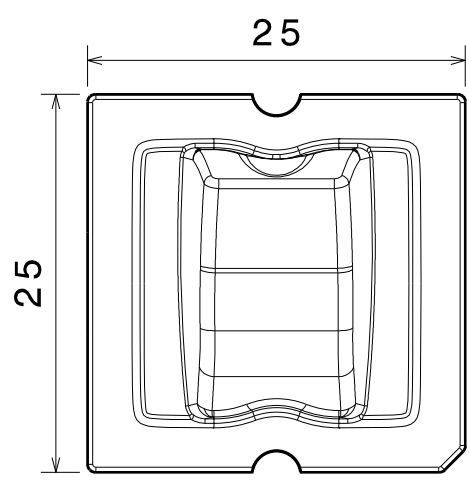
Front view

2

Part no.s:
 C11816_Strada-SQ-T-DN-XP
 C11816_Strada-SQ-T-DN-XP-G

Part no.s with tape:
 CA11817_Strada-SQ-T-DN-XP-TAPE
 CA11817_Strada-SQ-T-DN-XP-G-TAPE

MATERIALS
 Lens: PMMA
 Tape(optional): PU Foam



Top view

4

3

2

1

This drawing is our property.
 It can't be reproduced
 or communicated without
 our written agreement.



Ledil Oy
 Tehdaskatu 13
 FIN-24100 SALO
 Finland

DRAWING TITLE

Datasheet Strada-SQ-T-DN-XP Lens

DRAWN BY
 mav

DATE
 01.12.2010

CHECKED BY
 pv

DATE
 01.12.2010

SIZE
 A4

DRAWING NUMBER
 C11816

REV
 1

DESIGNED BY
 hh

DATE
 01.12.2010

SCALE 2:1

WEIGHT (g)

SHEET

1 / 1

D A