

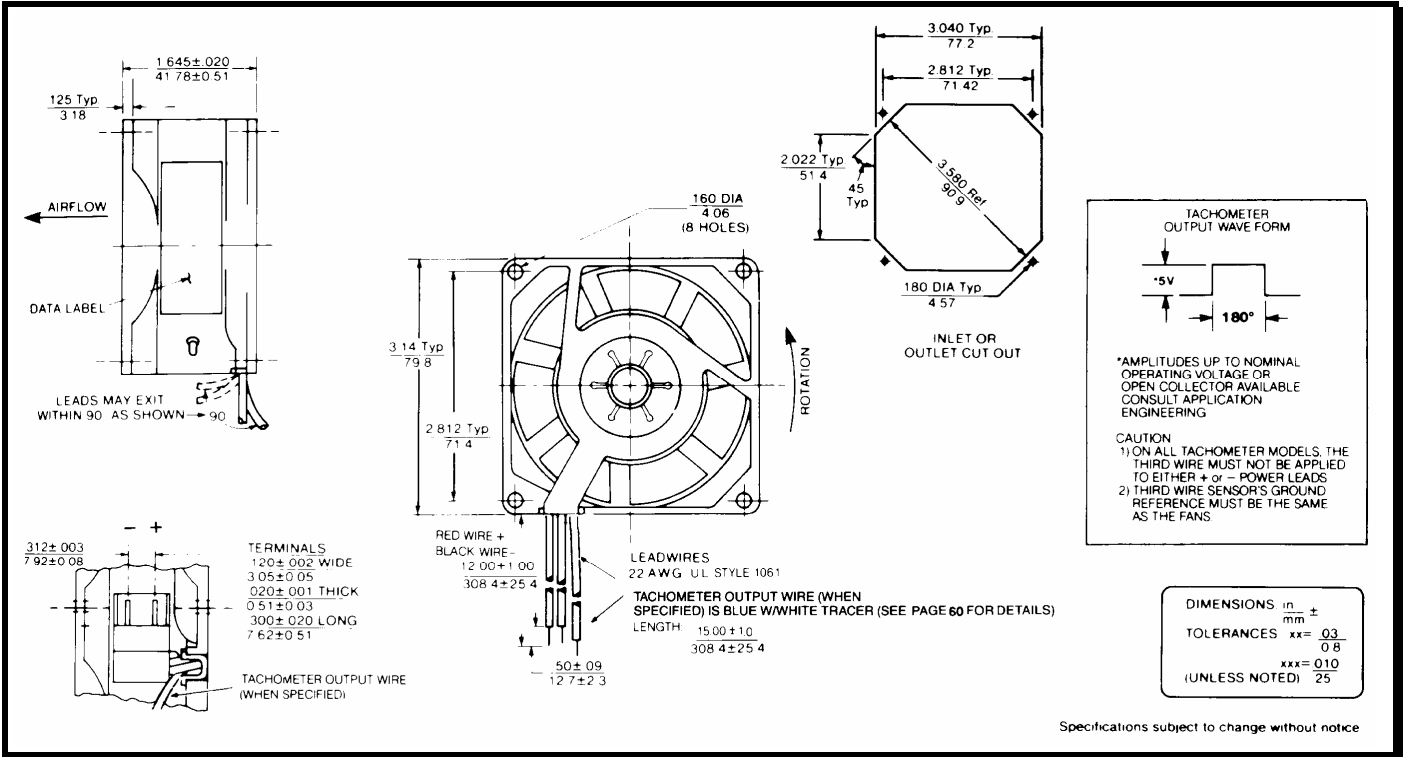
# SPECIFICATIONS



**Model Number:** SD24K5  
**Part Number:** 031706

May 25, 2006

## Mechanical Drawing:



### Motor:

Nominal Voltage = 24 vdc  
 Operating Voltage Range = 12 – 28 vdc  
 Nominal Running Current = 0.320 amps  
 Locked Rotor Current = 1.60 amps  
 Running Power = 7.70 watts  
 Average Speed = 4900  
 Bearings = Ball  
 Air Flow = 50 CFM  
 Acoustic = 55.4 dBA

### Construction:

Venturi: Single Piece Die-Cast Zinc Alloy, Black  
 Propeller: Plastic, Black, UL 94V-0

### Agency Approvals:

UL

### Life Expectancy:

This fan is designed for continuous duty life of 83,000 hours at 40°C.

### Additional Features:

Brushless DC Motor  
 Locked Rotor Protection  
 Polarity protected  
 Automatic Restart Capability  
 Operating Temperature: -10°C to 70°C  
 Storage Temperature: -40°C to 85°C

### Tachometer:

Isolated: No  
 Output: 5 Vdc TTL Compatible  
 I<sub>c</sub>: 10 mA Typical  
 Pulses per Revolution: 1

### Termination:

12" Lead wires, AWG 22, UL 1061  
 Red = Power (+)  
 Black = Return (-)  
 Blue/White = Tachometer Output