

Datasheet

RS Pro Power Inductors



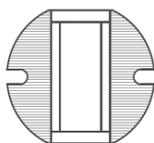
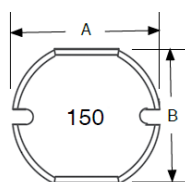
Features:

- High current, small size (up to 4 Amps)
- Surface mountable construction
- High inductance (up to 820 μ H)
- Taped and reeled for automatic insertion
- For use in DC/DC converter, DC/AC inverters
- Pb-Free compatible

Case Size	43
Inductance Range	1 ~ 680 μ H
Inductance Tolerance	-55°C ~ +85°C
Ambient Operating Temperature Range	+125°C
Maximum Component Temperature (Ambient + Self-Heating)	+40°C
Inductance Change at Isat	-35% typical
Temperature Raise at Irms	\pm 20% (M), \pm 30% (Y)
Resistance to Solder Heat	+250°C for 10 seconds

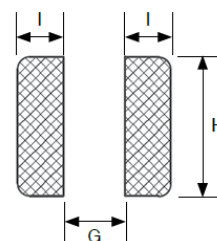
Dimensions:

Size	A	B	C	G (Ref)	H (Ref)	I (Ref)
43	4.50 ± 0.3	4.00 ± 0.3	3.20 ± 0.3	1.5	4.5	1.75



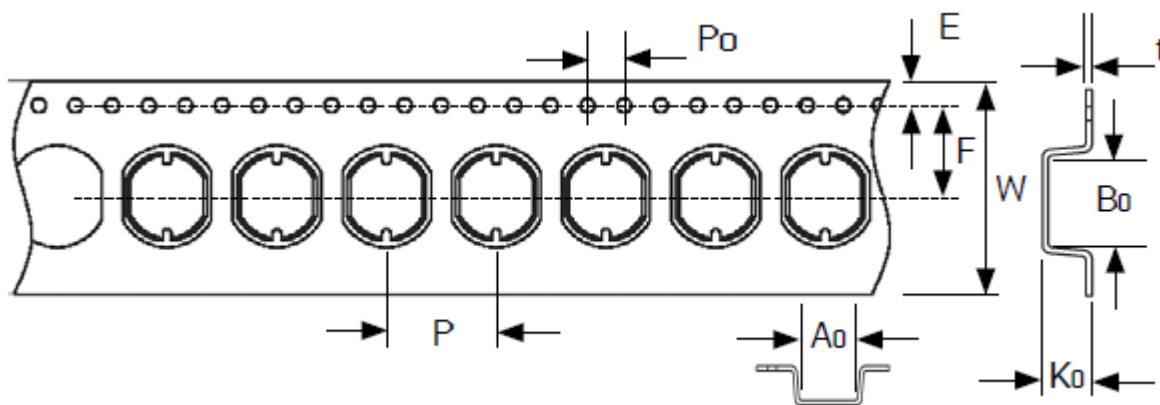
Termination Plating
Sn 96.5% - Ag 3.0% - Cu 0.5%

REFLOW SOLDERING LAND PATTERN

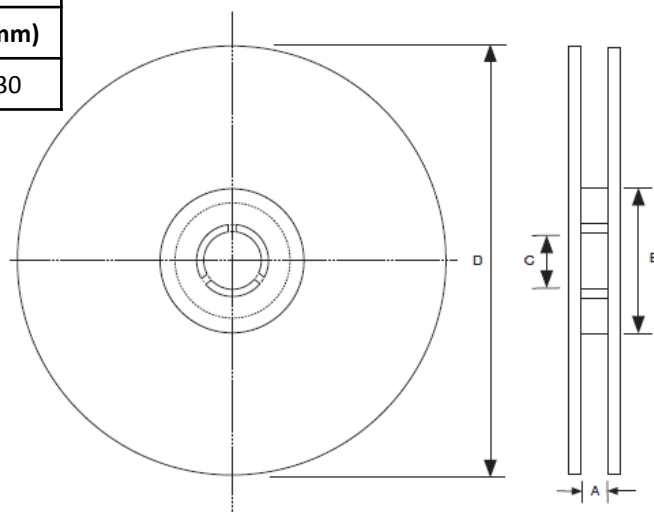


Stock No.	Standard Values - Case Size 43 (4.5 x 4.0 x 3.2mm)			
	Inductance Value (µH)	DC Resistance (Ω)	DC Current Isat/Irms (Amps)	Test Frequency
7409356	1.0 ± 20%	0.03	4.0	100KHz*
7409362	2.2 ± 20%	0.06	2.6	
7409375	3.3 ± 20%	0.07	2.0	
7409397	10 ± 20%	0.19	1.1	1KHz*
7409390	12 ± 20%	0.21	1.1	
7409407	22 ± 20%	0.35	0.80	
7409410	33 ± 20%	0.6	0.70	
7409417	47 ± 20%	0.8	0.60	1KHz
7409439	150 ± 20%	2.0	0.20	
7409454	330 ± 20%	4.0	0.14	
7409451	470 ± 20%	6.0	0.12	

Chip Size	Carrier Tape Dimensions (mm)								
	B ₀	A ₀	K ₀	P	W	E	F	P ₀	t
43	4.6±0.1	4.1±0.1	3.6±0.1	8.0±0.1	12.0±0.1	1.75±0.1	5.5±0.1	4.0±0.1	0.40±0.05



Tape Width	Reel Dimensions (mm)			
	A(mm)	B(mm)	C(mm)	D(mm)
12mm	13.5 ±0.5	100 ±1	13 ±0.5	330



Size	Reel Quantity (330mm Reel)
Qty./Reel	2000
Tape Width	12mm