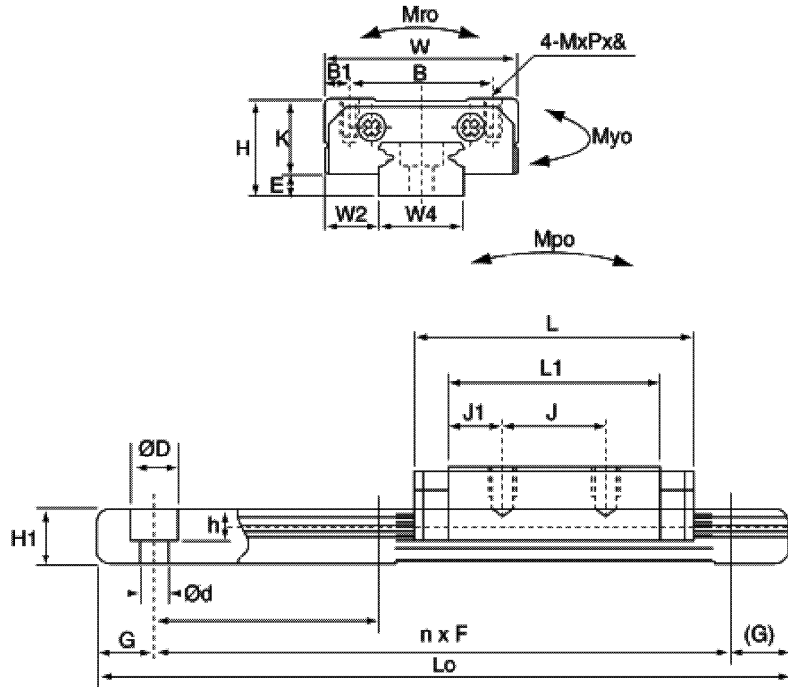


Interchangeable LU Linear Guides



Model No.	Assembly dimension							Ball slide dimension					
	H.	E	W. W ₂	L.	L.	B	J	Tapped hole			L ₁	J ₁	K
								Thread					
							M x P x l	B ₁					
LAU09TR	10	2.2	5.5	20	30	15	10	M3 x 0.5 x 3	2.5	20	3.5	7.8	

Basic load rating				
Dynamic	Static	Static moment		Weight
C	Co	(kgf.m)		
(kgf)	(kgf)	M	12 1 M	12 1
M	8 1	(gf)	120 180	0.9

Interchangeable series rail dimension (Model no. L1U09)

Std. length	W.	H.	Bolt pitch	Rail dimension			Weight (gf/100mm)
				Bolt hole d x D x h	G (Standard)	Rail length L ₀ max	
115195275	9	5.5	20	3.5 x 6 x 4.5	7.5	275	35