



ENGLISH

Datasheet Coin Button Batteries

Zinc Air Battery Cell PR44 (A675)



[RS Stock No. 801-0730](#)

Specification:

Cell Chemistry: Zinc Air
 Identification: JIS-PR44
 Nominal Voltage: 1.4 Volts
 Tab Colour: Blue
 Typical Capacity: 630mAh (to 0.9 Volts) (at 620Ω 20°C 60%RH)
 Available Current: 16mA (at 1.1 Volts)
 Capacity loss @ 20°C : <5% per year
 Operation Temp.: 0°C to 50°C
 Shelf Life: 2 years
 Typical Weight: 1.6 grams
 Typical Volume: 0.56 cubic centimetres
 Impedance: ≤ 2Ω (at AC 1KHz)

Appearance:

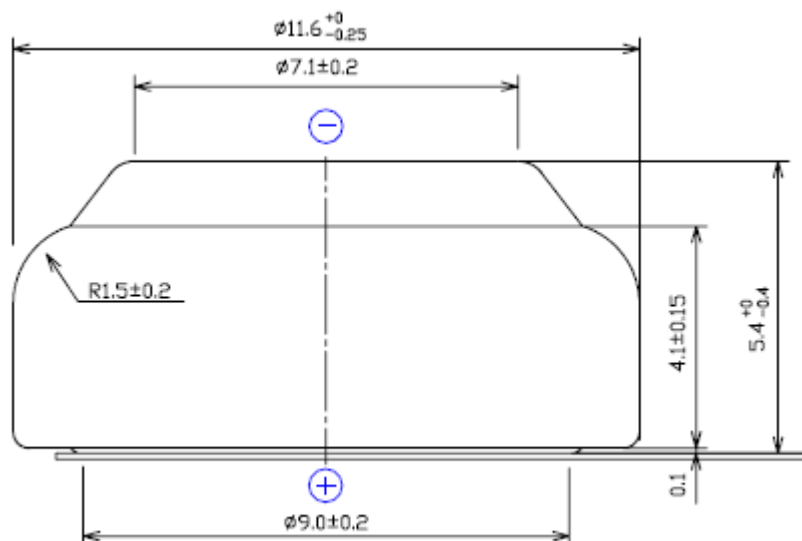


Top View

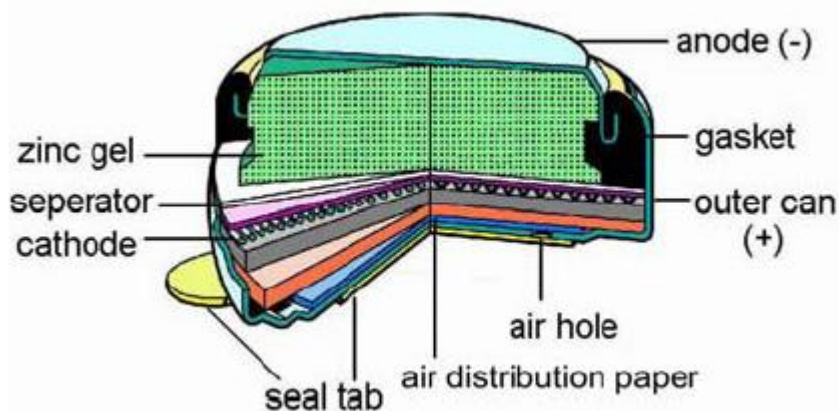


Bottom View

Dimensions: Unit (mm)



Configuration:



Discharge Characteristic Graph:

