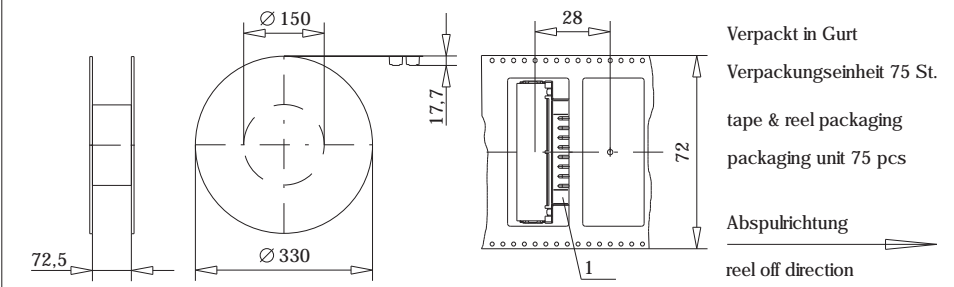
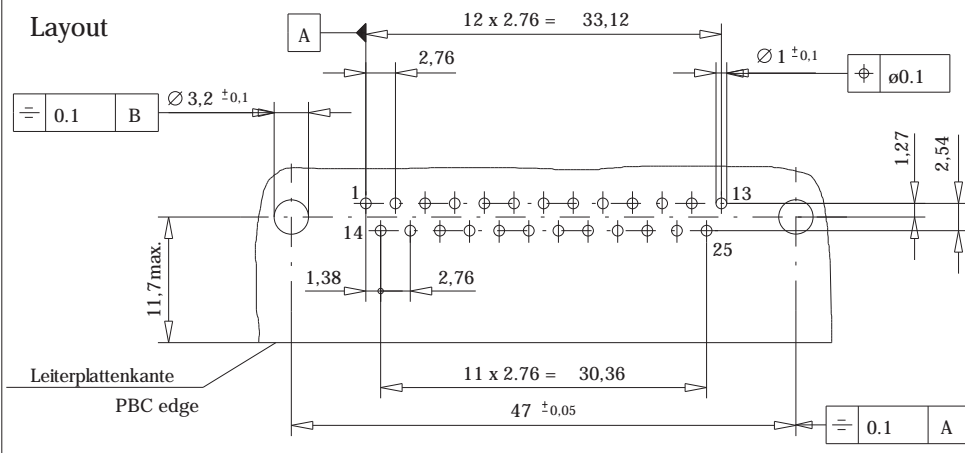
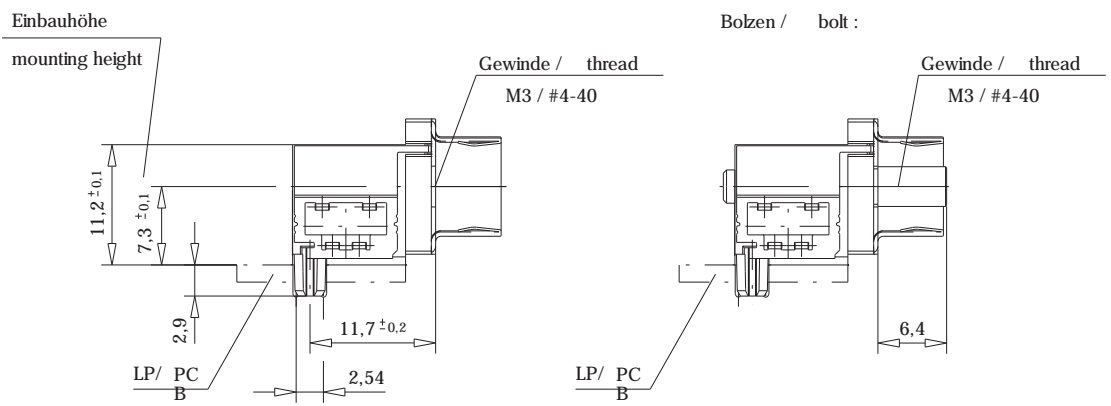


Verpackt in Tray
Verpackungseinheit 20 St.
tray packaging
packaging unit 20 pcs



Verpackt in Gurt
Verpackungseinheit 75 St.
tape & reel packaging
packaging unit 75 pcs
Abspulrichtung
reel off direction



Fehlende Masse und Angaben siehe DIN 41652 / Missing information and dimensions according to DIN 41652
Sonstige Angaben siehe Fertigungsunterlagen / Additional indications please see the production documentation

Anschlussbereich verzinkt
terminal area tin plating

Anforderungsstufe: 2
class: 2

| | | | | | |
|-------------------------------------|------------------------------|-----------------|------------------|----------------|---------------------|
| | 174422 | ø3,2 | | | |
| | 154214 | | | #4-40 | |
| | 154213 | | | M 3 | |
| | 154212 | | #4-40 | | |
| | 154211 | | M 3 | | |
| Ident-Nr part-no. tape & reel | Ident-Nr part-no. tray | ohne without | Mutter thread | Bolzen bolt | Bemerkung remark |

Consider protection memo from DIN 94

| | | | |
|--|---|----------------------|---|
| Information: | Tolerances ISO 2768-m | | Scale 2:1 |
| All rights reserved. Only for information. To insure that this is the latest version of this drawing, please contact one of the ERNI companies before using. | Subject to modification without prior notice. Drawing will not be updated. | All Dimensions in mm | Designation TMC-P 25-THR-Standard TMC-P 25-THR-Standard |
| www.ERNI.com | | 144861 | |
| Index | Date | V:00036659.SZN | TMC P |