

# D Ribbon

## Wiremount Metal Faced Socket



153

### IMPORTANT NOTICE TO PURCHASER

ALL STATEMENTS, TECHNICAL INFORMATION AND RECOMMENDATIONS CONTAINED HEREIN ARE BASED ON TESTS WE BELIEVE TO BE RELIABLE, BUT THE ACCURACY OR COMPLETENESS THEREOF IS NOT GUARANTEED, AND THE FOLLOWING IS MADE IN LIEU OF ALL WARRANTIES, EXPRESSED OR IMPLIED:

SELLER'S AND MANUFACTURER'S ONLY OBLIGATION SHALL BE TO REPLACE SUCH QUANTITY OF THE PRODUCT PROVED TO BE DEFECTIVE. NEITHER SELLER NOR MANUFACTURER SHALL BE LIABLE FOR ANY INJURY, LOSS OR DAMAGE, DIRECT OR CONSEQUENTIAL, ARISING OUT OF THE USE OF OR THE INABILITY TO USE THE PRODUCT. BEFORE USING, USER SHALL DETERMINE THE SUITABILITY OF THE PRODUCT FOR HIS INTENDED USE, AND USER ASSUMES ALL RISK AND LIABILITY WHATSOEVER IN CONNECTION THEREWITH. NO STATEMENT OR RECOMMENDATION NOT CONTAINED HEREIN SHALL HAVE ANY FORCE OR EFFECT UNLESS IN AN AGREEMENT SIGNED BY OFFICERS OR SELLER AND MANUFACTURER.

Date Issued: August 8, 1997

TS-0022-11  
Sheet 1 of 3

## Physical

### Insulation

Material: Glass Filled Polyester (PBT)  
Flammability: UL 94V-0  
Color: Gray

### Contact

Material: Copper Alloy  
Plating  
Underplate: 100  $\mu$ " (2.54  $\mu$ m) Nickel — QQ-N-290, Class 2  
Wiping Area: 30  $\mu$ " (0.76  $\mu$ m) Gold — MIL-G-45204, Type II, Grade C

### Shell

Material: Steel  
Plating: Bright Nickel — QQ-N-290, Class 2

### Strain Relief

Material: Stainless Steel — .012 [ 0.30 ] Thick

**Wire Accommodation:** 26 & 28 AWG Solid or Stranded

**Marking:** 3M Logo, Part Number Identification, Position 1

## Electrical

**Current Rating:** 1 A

**Insulation Resistance:**  $> 1 \times 10^9 \Omega$  at 500 Vdc

**Withstanding Voltage:** 1000 Vrms at Sea Level

## Environmental

**Temperature Rating:**  $-55^\circ$  to  $+105^\circ\text{C}$

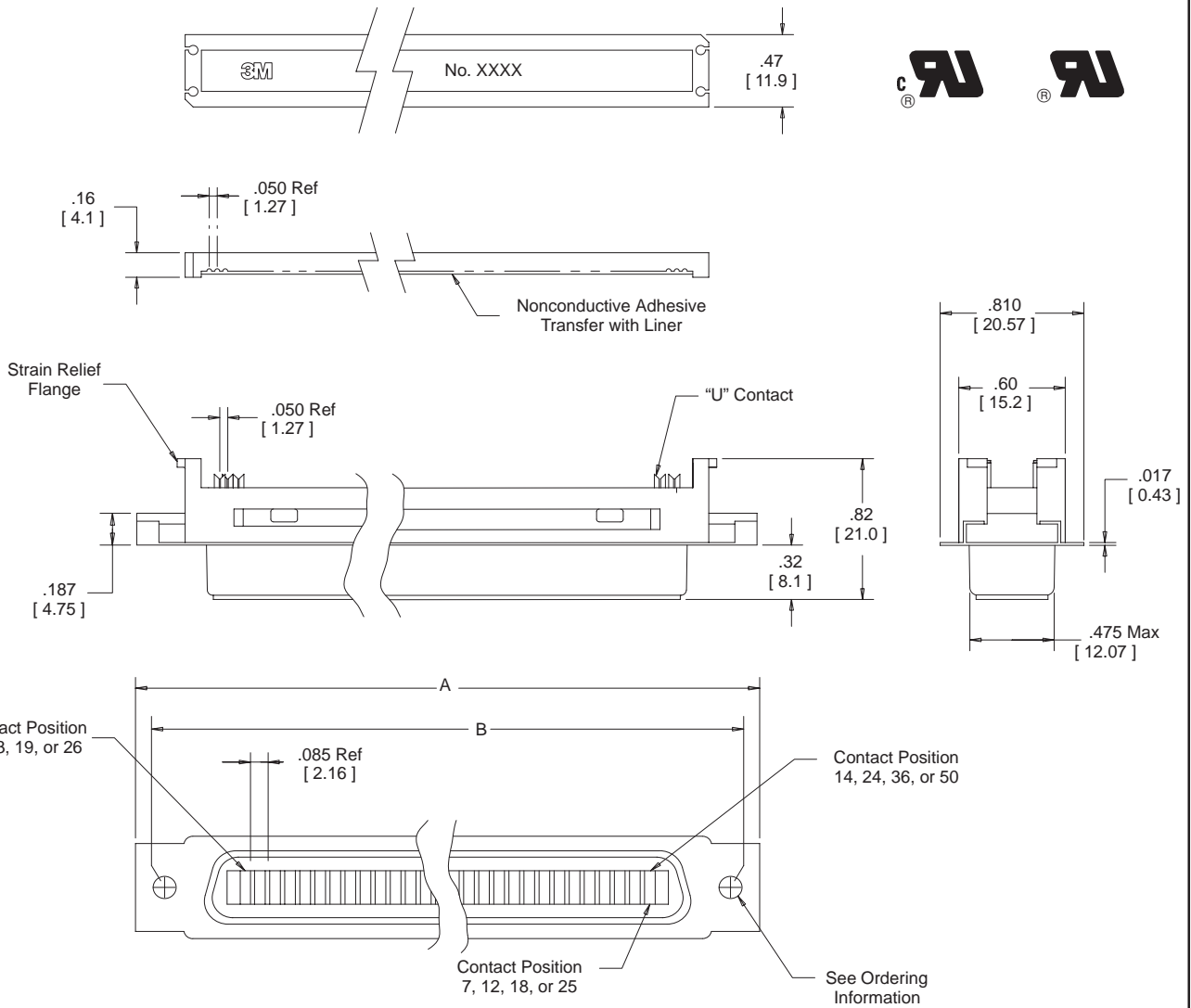
UL File No.: E68080

### 3M Electronic Products Division

6801 River Place Blvd.  
Austin, TX 78726-9000

For technical, sales or ordering information call  
**800-225-5373**

# D Ribbon Wiremount Metal Faced Socket



Contact Quantity	Series	Dimensions		
		A	B	C
14	3573	1.75 [44.5]	1.42 [36.1]	1.28 [32.5]
24	3549	2.17 [55.2]	1.84 [46.7]	1.70 [43.2]
36	3367	2.68 [68.1]	2.35 [59.7]	2.21 [56.1]
50	3565	3.27 [83.1]	2.95 [74.9]	2.81 [71.1]

Inch [mm]			
Tolerance Unless Noted			
	.0	.00	.000
Inch	±.1	±.01	±.005

[ ] Dimensions for Reference only

## Ordering Information

**Connector  
XXXX-200X**

Series  
See Table

0 = .158 [4.01] Dia Hole  
2 = #4-40 UNC Insert

**Strain Relief  
(Order Separately)  
3448-XX**

60 = 14 Position  
61 = 24 Position  
62 = 36 Position  
63 = 50 Position

TS-0022-11  
Sheet 2 of 3

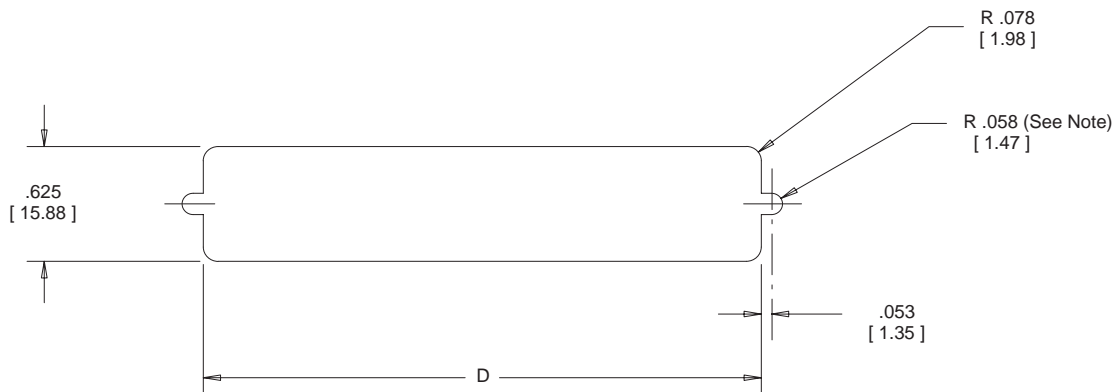
## 3M Electronic Products Division

6801 River Place Blvd.  
Austin, TX 78726-9000

For technical, sales or ordering information call  
**800-225-5373**

# D Ribbon

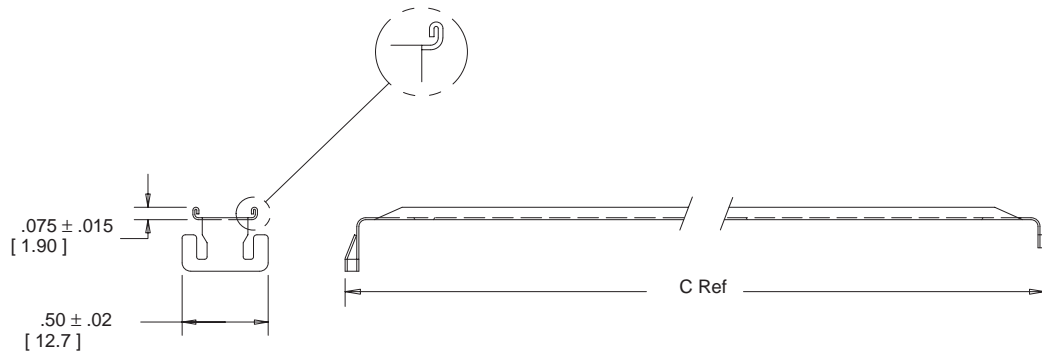
## Recommended Panel Cutout Configurations



**Note:**

For rear mounting of connector with IEEE-488 Type 3M Jack Socket 3341-3, use .098" [ 2.49 mm ] R.

Contact Quantity	3M Part Number	Mounting Method	Dimension D
14	3573	Front	1.315 [ 33.40 ]
24	3549	Front	1.740 [ 44.20 ]
36	3367	Front	2.250 [ 57.15 ]
50	3565	Front	2.845 [ 72.26 ]
14	3573	Rear	1.156 [ 29.36 ]
24	3549	Rear	1.580 [ 40.13 ]
36	3367	Rear	2.090 [ 52.09 ]
50	3565	Rear	2.705 [ 68.71 ]



TS-0022-11  
Sheet 3 of 3

### 3M Electronic Products Division

6801 River Place Blvd.  
Austin, TX 78726-9000

For technical, sales or ordering information call  
**800-225-5373**