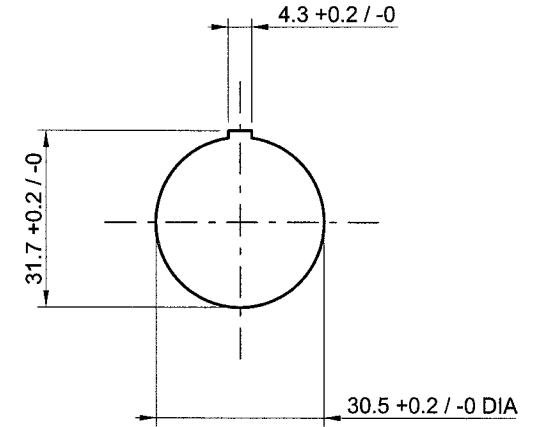
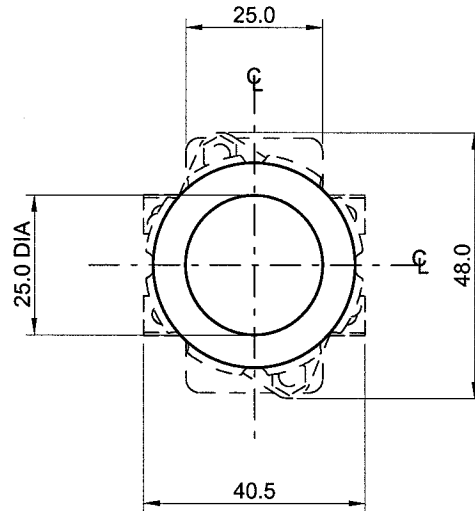
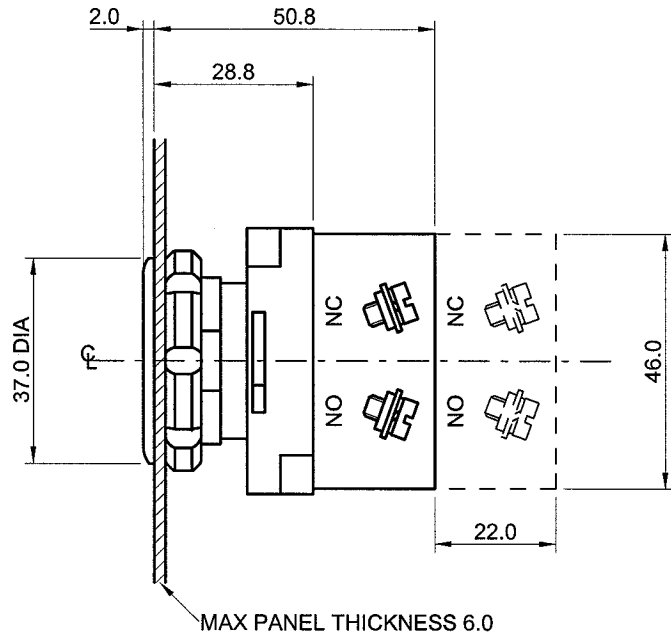


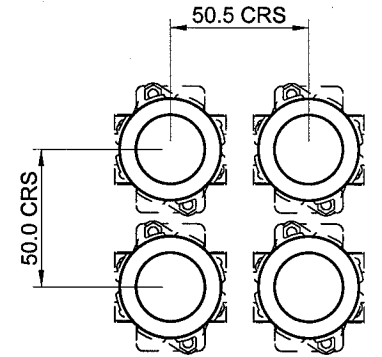
UNCONTROLLED

27 OCT 1999



PANEL DRILLING DETAILS

NOTE:  
MINIMUM 10.0 CLEARANCE BETWEEN  
UNPROTECTED TERMINALS



RECOMMENDED FIXING CENTRES  
(SCALE 1 : 2)

- NOTES:  
1. TERMINAL SCREWS : M4  
2. MAXIMUM No. OF CONTACT BLOCKS : 3

|     |         |                   |     |               |      |      |                  |  |          |   |            |  |  |  |
|-----|---------|-------------------|-----|---------------|------|------|------------------|--|----------|---|------------|--|--|--|
|     |         |                   |     | SCALE : 1 : 1 |      |      | GEN. TOL. ± 0.13 |  | FINISH : |   | MATERIAL : |  |  |  |
|     |         |                   |     | APPD.         | PR   |      |                  | CAD DRG.   |          | TITLE :   |            | CRAIG & DERRICOTT Ltd.<br>WALSALL ENGLAND. |  |  |
|     |         |                   |     | CHD.          | DWJ  |      |                  | ALL DIMENSIONS IN MILLIMETRES<br>FIRST ANGLE PROJECTION<br>DO NOT SCALE DRAWING<br>IF IN DOUBT ASK |          | DIM DETAILS OF ROUND<br>NON-ILLUMINATED<br>30 SERIES PUSHBUTTON |            | ISSUE 1/2                                  |  |  |
| 1   | 12496   | INFORMATION ADDED | JAS | 09-07-99      | DRW. | JAS  | 20-05-99         |  |          |   |            | DRG. No. TBD 0036                          |  |  |
| REV | MOD No. | AMENDMENT         | BY  | DATE          | BY   | DATE |                  |  |          |   |            |  |  |  |