
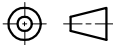


**NOTE  
PRELIMINARY  
SPECIFICATIONS**

**SOURCE DRAWING - FOR REFERENCE ONLY**

RELATED DOCUMENTS		3RD ANGLE PROJECTION		THIS DOCUMENT IS PROPERTY OF TURCK INC. USE OF THIS DOCUMENT WITHOUT WRITTEN PERMISSION IS PROHIBITED.		 High Technology Sensors and Automation Controls		3000 CAMPUS DRIVE MINNEAPOLIS, MN 55441 1-800-544-7769 (763) 553-7300 (763) 553-0708 fax turck.com	
1. 2. 3. 4.				DRFT IK		DATE 02/27/01		DESCRIPTION	
MATERIAL		TOLERANCES UNLESS OTHERWISE SPECIFIED		DSGN		SCALE 1=1.0		KLZ1-INT CLAMP	
FINISH		.X ±0.02 .XX ±0.01 .XXX ±0.005 ANGLES ±1° ALL MILLIMETER DIMENSIONS ARE REFERENCE ONLY		UNIT OF MEASUREMENT		IDENTIFICATION NO.		REV	
				INCH [ MILLIMETER ]		M6970410		P2	
P2 UPDATE ID		JBJ 04/17/01		DO NOT SCALE THIS DRAWING		FILE: M6970410		SHEET 1 OF 1	
REV	DESCRIPTION	BY	DATE	ECO NO.					

P2	UPDATE ID	JBJ	04/17/01	
REV	DESCRIPTION	BY	DATE	ECO NO.