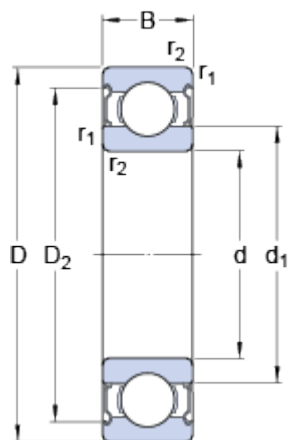


6012-2Z

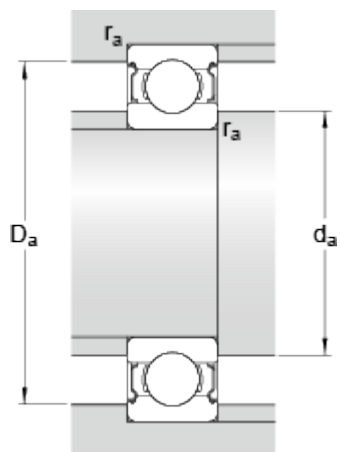
SKF Explorer

Dimensions



d		60	mm
D		95	mm
B		18	mm
d ₁	≈	71.3	mm
D ₂	≈	86.5	mm
r _{1,2}	min.	1.1	mm

Abutment dimensions



d _a	min.	66	mm
d _a	max.	71.2	mm
D _a	max.	89	mm
r _a	max.	1	mm

Calculation data

Basic dynamic load rating	C	30.7	kN
Basic static load rating	C ₀	23.2	kN
Fatigue load limit	P _u	0.98	kN
Reference speed		15000	r/min
Limiting speed		7500	r/min
Calculation factor	k _r	0.025	
Calculation factor	f ₀	15.6	

Mass

Mass bearing		0.43	kg
--------------	--	------	----