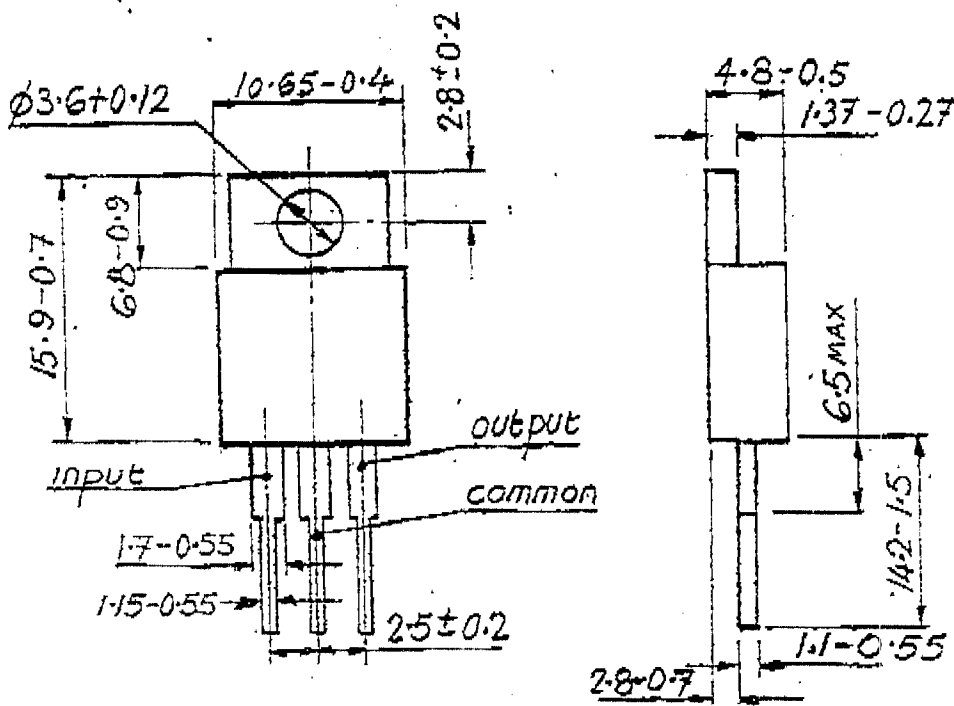


### Voltage Regulator 3 Terminal Positive, Type 7805C



- Absolute maximum values,**
1. Input Voltage
  2. Internal power Dissipation
  3. Operating Junction Temperature

**Case TO220**  
**35V**  
 Internally limited  
 0 to + 150 centigrade

**Electrical Characteristics**

$V_{in} = 10 V.$   $I_{out} = 500 mA.$   
 $0 \text{ deg. C} = T_j = 125 \text{ deg. C}$

Parameter	Condition	Min.	Typical	Max.	Units
4. Output Voltage	$T_j = 25 \text{ C}$	4.8	5.0	5.2	V
5. Line Regulation	$T_j = 25 \text{ C.}$	$7 V \leq V_{in} \leq 25 V$		100	mV
		$8 V \leq V_{in} \leq 12 V$		50	mV
6. Load Regulation	$T_j = 25 \text{ C}$	$5mA \leq I_{out} \leq 1.5A$		100	mV
		$250mA \leq I_{out} \leq 750mA$		50	mV
7. Quiescent Current	$T_j = 25 \text{ C}$			8.0	mA
8. Dropout Voltage	$I_{out} = 1.0 A. T_j = 25 \text{ C}$		2.0		V
9. Peak Output Current	$T_j = 25 \text{ C}$		2.2		A