

**Ordering number FA11905_TINA3-S**

Family	Tina3	FWHM	10 degrees
Type	Assembly	Efficiency	86 %
LED	XP-E	cd/lm	15.800
Color	White	Gerber File	Available
Diameter	16.1 mm		
Height	11.4 mm		
Style	Round		
Optic Material	PMMA		
Holder Material	PC		
Fastening	Pin, tape		
Status	Ready		

Ordering number CA13043_TINA3-W

Family	Tina3	FWHM	32 degrees
Type	Assembly	Efficiency	93 %
LED	XP-E	cd/lm	2.000
Color	White	Gerber File	Available
Diameter	16.1 mm		
Height	7.29 mm		
Style	Round		
Optic Material	PMMA		
Holder Material	PC		
Fastening	Tape		
Status	Ready		

Ordering number CA12892_TINA3-WW

Family	Tina3	FWHM	39 degrees
Type	Assembly	Efficiency	93 %
LED	XP-E	cd/lm	1.400
Color	White	Gerber File	Available
Diameter	16.1 mm		
Height	7.29 mm		
Style	Round		
Optic Material	PMMA		
Holder Material	PC		
Fastening	Tape		
Status	Ready		

Ordering number FA11824_TINA3-W

Family	Tina3	FWHM	41 degrees
Type	Assembly	Efficiency	93 %
LED	XP-E	cd/lm	1.780
Color	White	Gerber File	Available
Diameter	16.1 mm		
Height	6.9 mm		
Style	Round		
Optic Material	PMMA		
Holder Material	PC		
Fastening	Pin, tape		
Status	Ready		

**Ordering number CA13044_TINA3-OO**

Family	Tina3	FWHM	48+34 degrees
Type	Assembly	Efficiency	93 %
LED	XP-E	cd/lm	1.500
Color	White	Gerber File	Available
Diameter	16.1 mm		
Height	7.29 mm		
Style	Round		
Optic Material	PMMA		
Holder Material	PC		
Fastening	Tape		
Status	Ready		

**Ordering number FA11870_TINA3-OO**

Family	Tina3	FWHM	52+35 degrees
Type	Assembly	Efficiency	93 %
LED	XP-E	cd/lm	1.660
Color	White	Gerber File	Available
Diameter	16.3 mm		
Height	6.9 mm		
Style	Round		
Optic Material	PMMA		
Holder Material	PC		
Fastening	Pin, tape		
Status	Ready		

**Ordering number FA11825_TINA3-WW**

Family	Tina3	FWHM	54 degrees
Type	Assembly	Efficiency	93 %
LED	XP-E	cd/lm	1.160
Color	White	Gerber File	Available
Diameter	16.1 mm		
Height	6.9 mm		
Style	Round		
Optic Material	PMMA		
Holder Material	PC		
Fastening	Pin, tape		
Status	Ready		

**Ordering number CA13045_TINA3-WWW**

Family	Tina3	FWHM	57 degrees
Type	Assembly	Efficiency	92 %
LED	XP-E	cd/lm	0.800
Color	White	Gerber File	Available
Diameter	16.1 mm		
Height	7.29 mm		
Style	Round		
Optic Material	PMMA		
Holder Material	PC		
Fastening	Tape		
Status	Ready		



Ordering number FA11826_TINA3-WWW

Family	Tina3	FWHM	79 degrees
Type	Assembly	Efficiency	92 %
LED	XP-E	cd/lm	0.460
Color	White	Gerber File	Available
Diameter	16.1 mm		
Height	6.9 mm		
Style	Round		
Optic Material	PMMA		
Holder Material	PC		
Fastening	Pin, tape		
Status	Ready		

NOTE: The typical divergence will be changed by different color, chip size and chip position tolerance. The typical total divergence is the full angle measured where the luminous intensity is half of the peak value.



PRODUCT DATASHEET

Tina3 series

last update 9/4/2013

GENERAL INFORMATION

- Product series especially designed & optimized for XP-E series of LEDs.
- Special care taken to make light distribution as uniform as possible.
- Lens material optical grade PMMA with high UV and temperature resistance. Allows use of high current and temperature conditions.

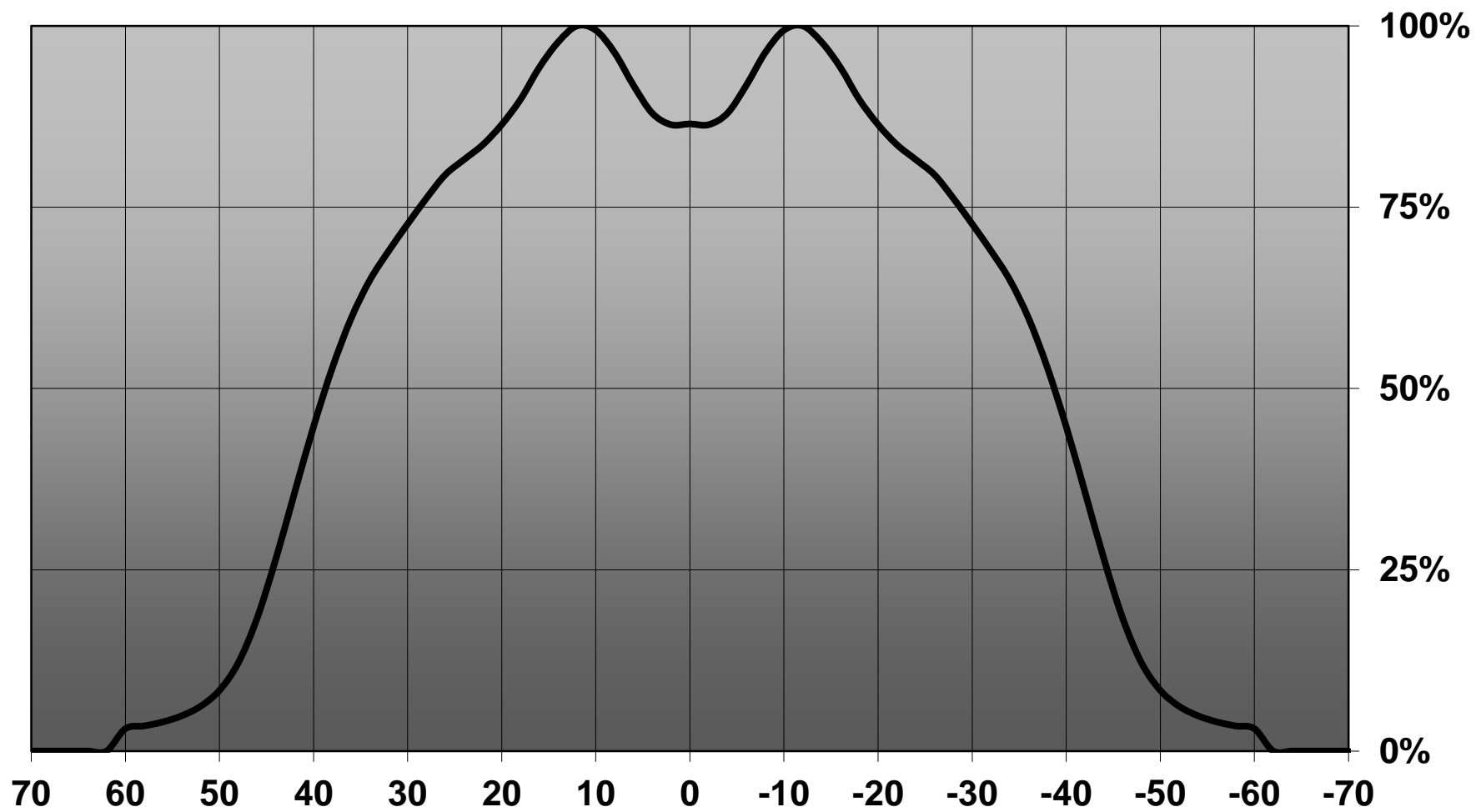
Please find more information about used material from below:

http://ledil.fi/sites/default/files/Documents/Technical/Material/PMMA%20N%20UL94_Yellow%20Card.pdf

<http://ledil.fi/sites/default/files/Documents/Technical/Material/PMMA%20N%20PLEXIGLAS-Datasheet.pdf>

- Optic holder molded by high quality PC material (120 degrees of Celcius / 248 degrees of Fahrenheit).

Relative intensity of FA11825_Tina3-WW-XP



D

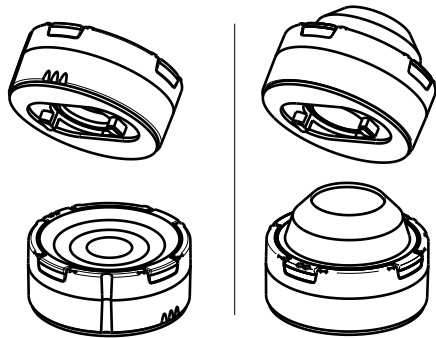
C

B

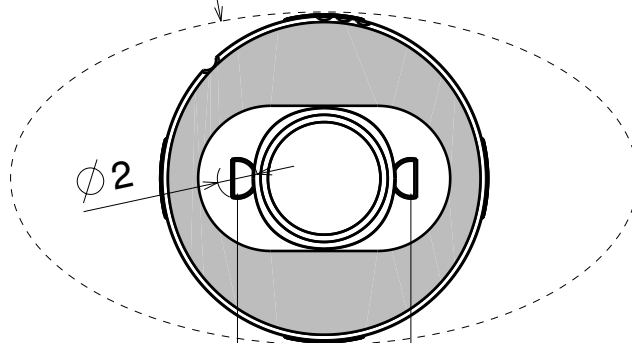
A

4

4



Oval beam direction

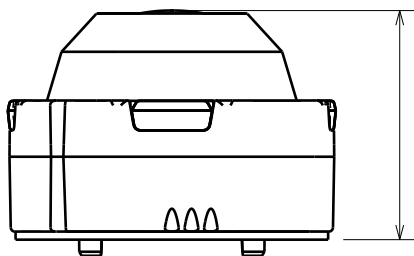


8.6

c / c

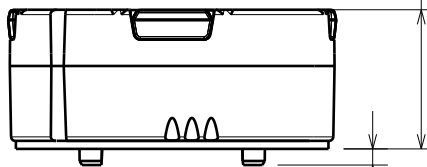
3

3



11.4

Spot version height

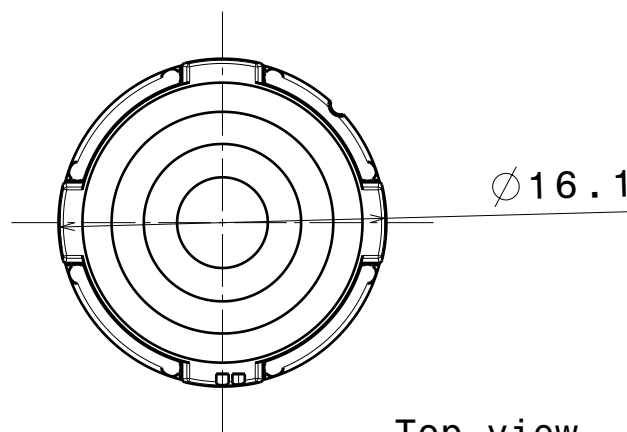


6.9

0.8

2

2



16.1

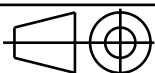
Top view

Tolerances if not otherwise shown
 According to DIN ISO 2768-1
 Linear measures:
 Up to 30mm class F, otherwise class M.
 According to DIN ISO 2768-2
 Form and position: class K

LEDiL

Ledil Oy
 Salorankatu 10
 FIN 24240 SALO
 Finland

THIRD ANGLE PROJECTION:



DRAWING TITLE

TINA3 Datasheet

This drawing is the property
 of LEDiL Oy. It may not be
 reproduced, copied or
 communicated without a written
 agreement with LEDiL Oy."

SIZE

A4

PART NUMBER

-

SCALE

4:3

WEIGHT

-

SHEET

1/1

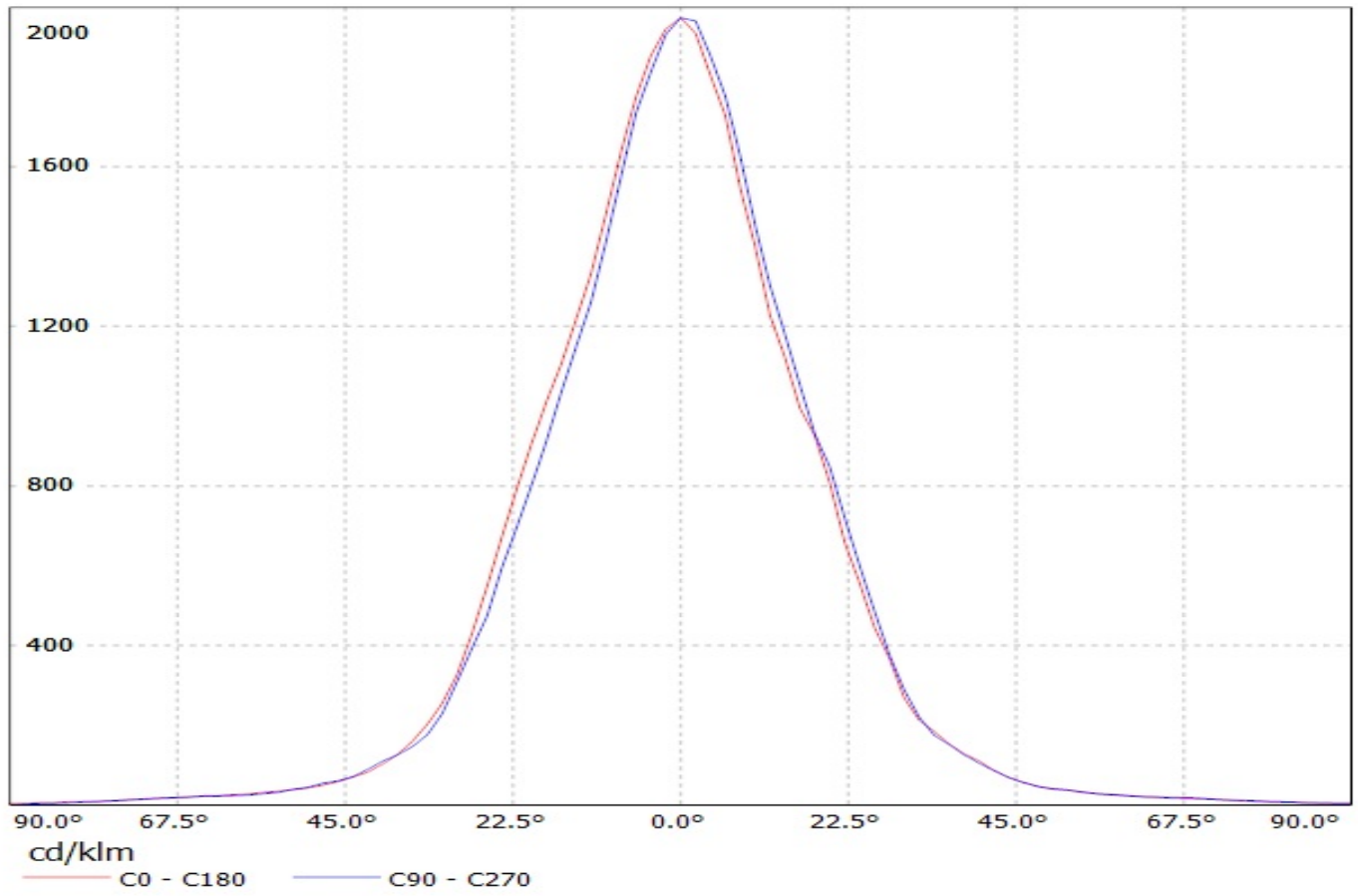
D

A

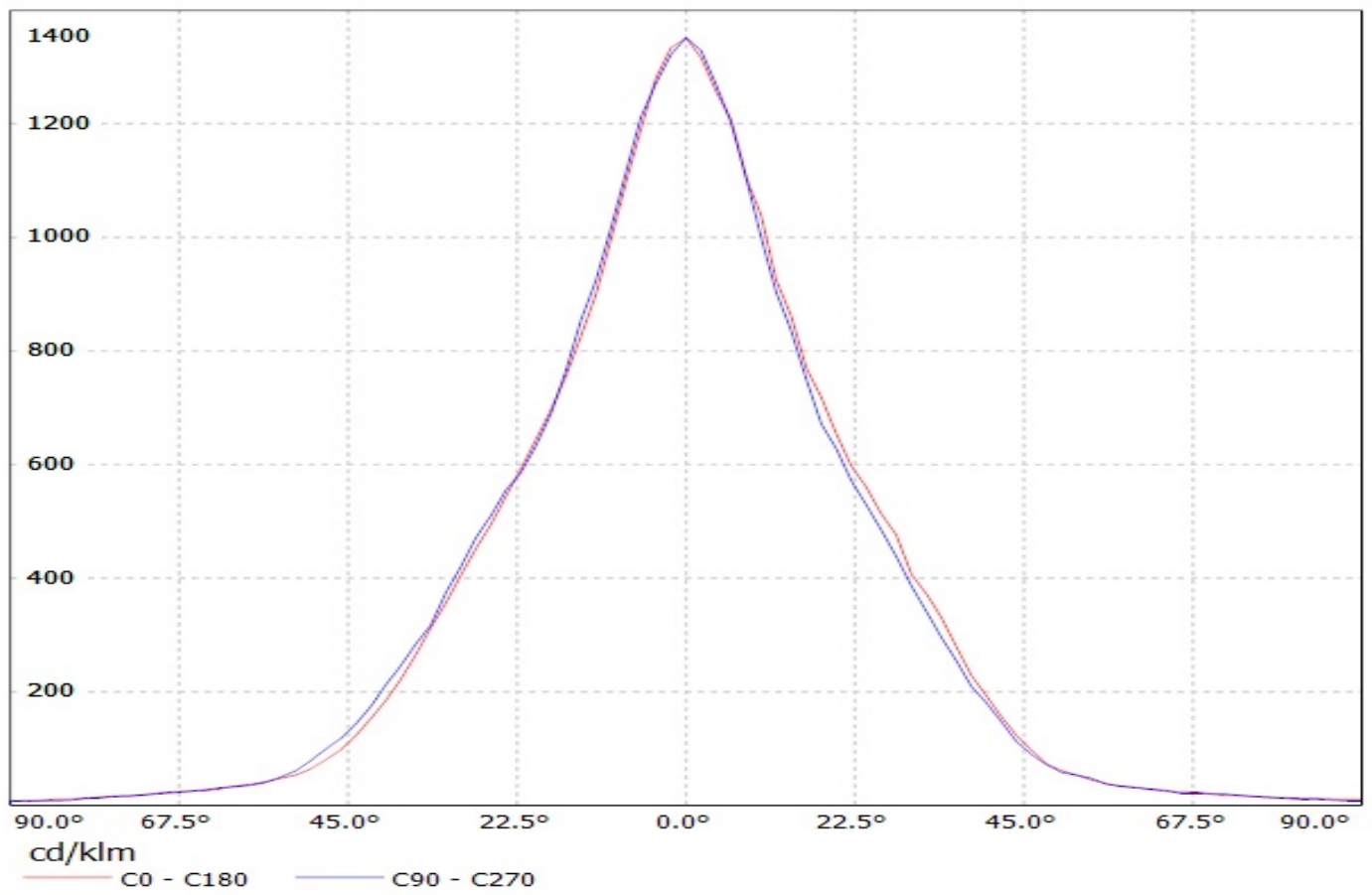
1

1

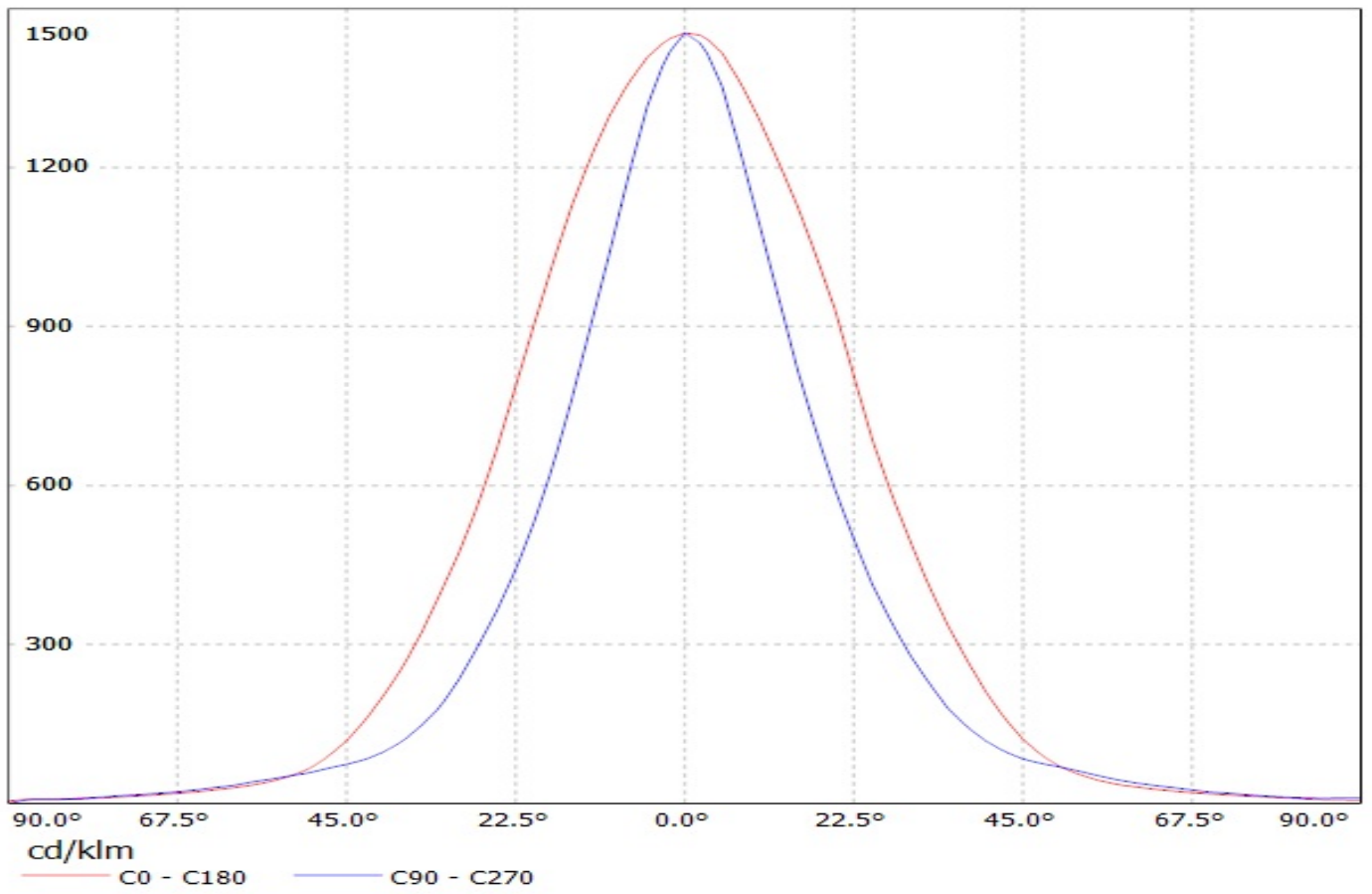
Luminaire: Ledil Oy CA13043_TINA3-W (Cree XP-E 76lm @ 250mA) Efficiency=93%
Lamps: 1 x Cree XP-E 76lm @ 250mA



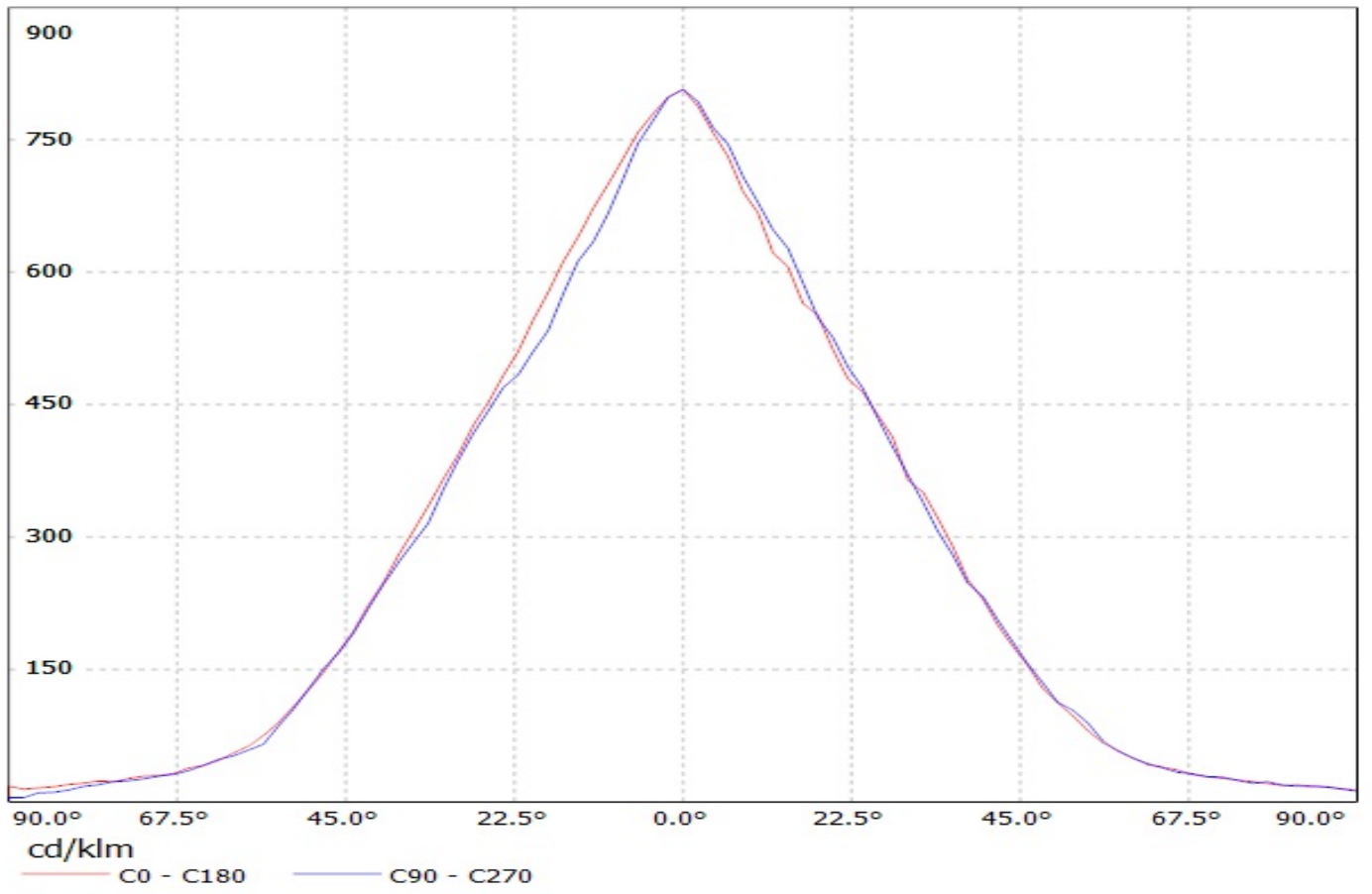
Luminaire: Ledil Oy CA12892_TINA3-WW (Cree XP-E 76lm @ 250mA) Efficiency=93%
Lamps: 1 x Cree XP-E 76lm @ 250mA



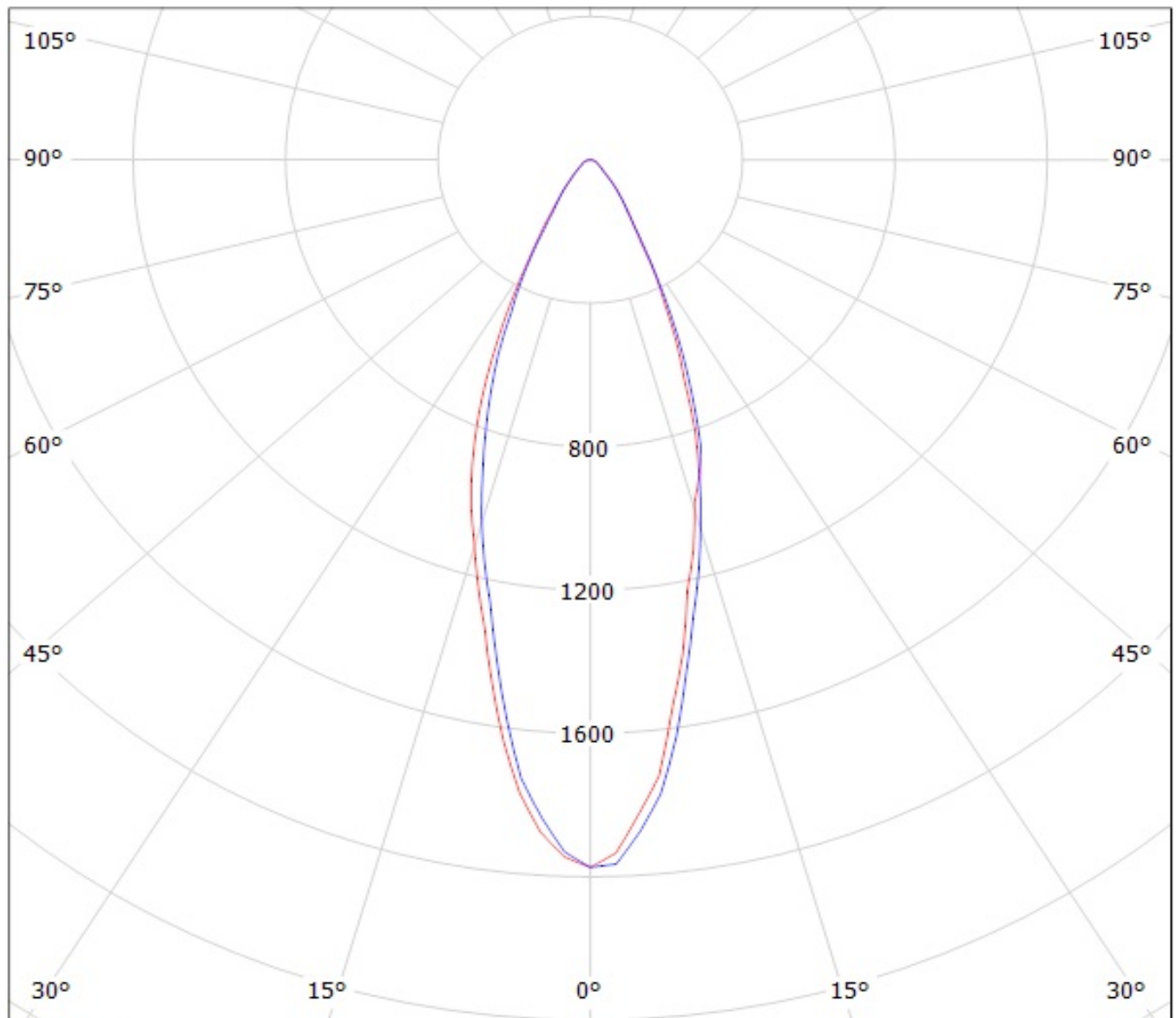
Luminaire: Ledil Oy CA13044_TINA3-00 (Cree XP-E 76lm @ 250mA) Efficiency=93%
Lamps: 1 x Cree XP-E 76lm @ 250mA



Luminaire: Ledil Oy CA13045_TINA3-WWW (Cree XP-E 76lm @ 250mA) Efficiency=92%
Lamps: 1 x Cree XP-E 76lm @ 250mA



Luminaire: Ledil Oy CA13043_TINA3-W (Cree XP-E 76lm @ 250mA) Efficiency=93%
Lamps: 1 x Cree XP-E 76lm @ 250mA

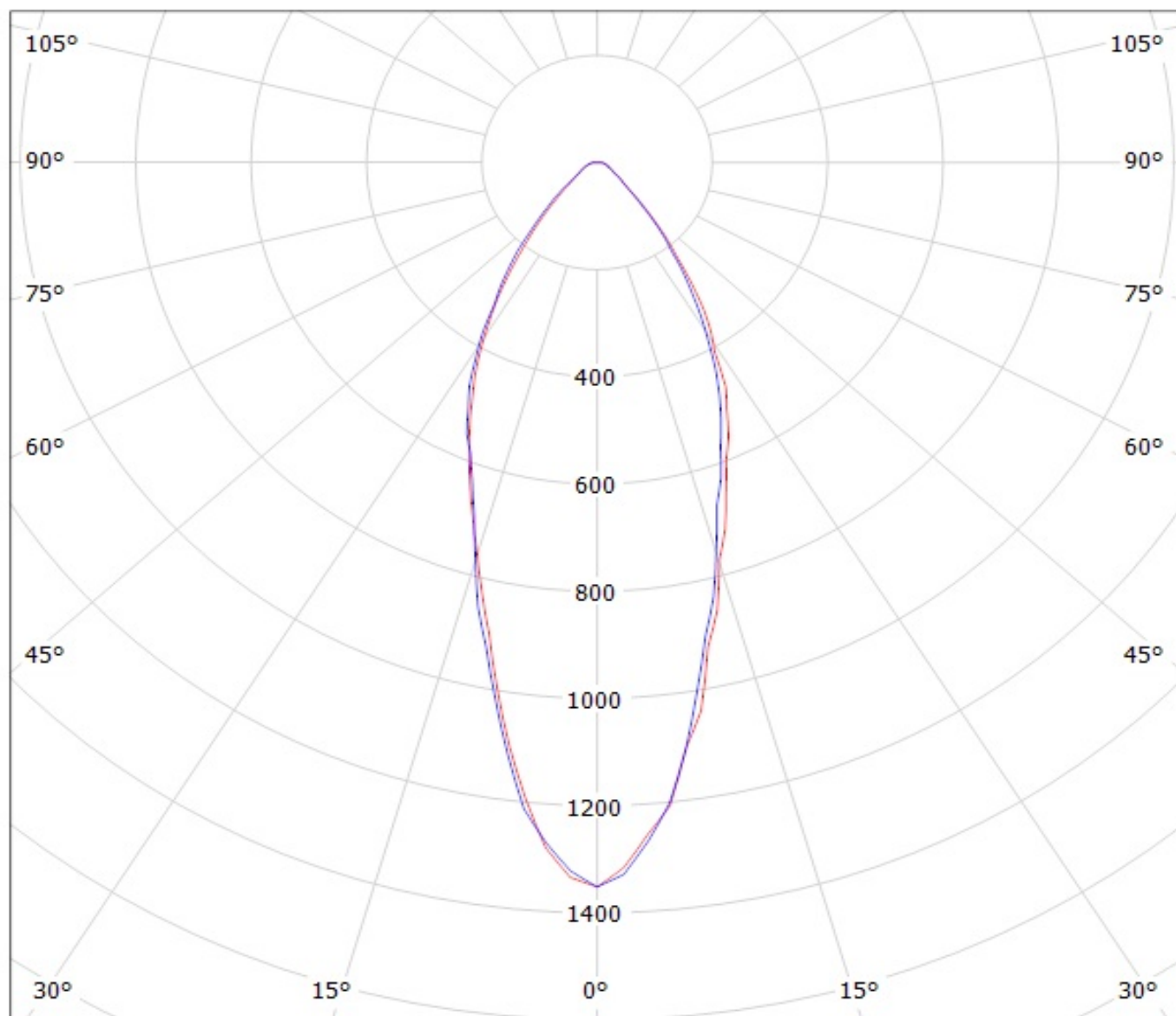


cd/klm

— C0 - C180

— C90 - C270

Luminaire: Ledil Oy CA12892_TINA3-WW (Cree XP-E 76lm @ 250mA) Efficiency=93%
Lamps: 1 x Cree XP-E 76lm @ 250mA

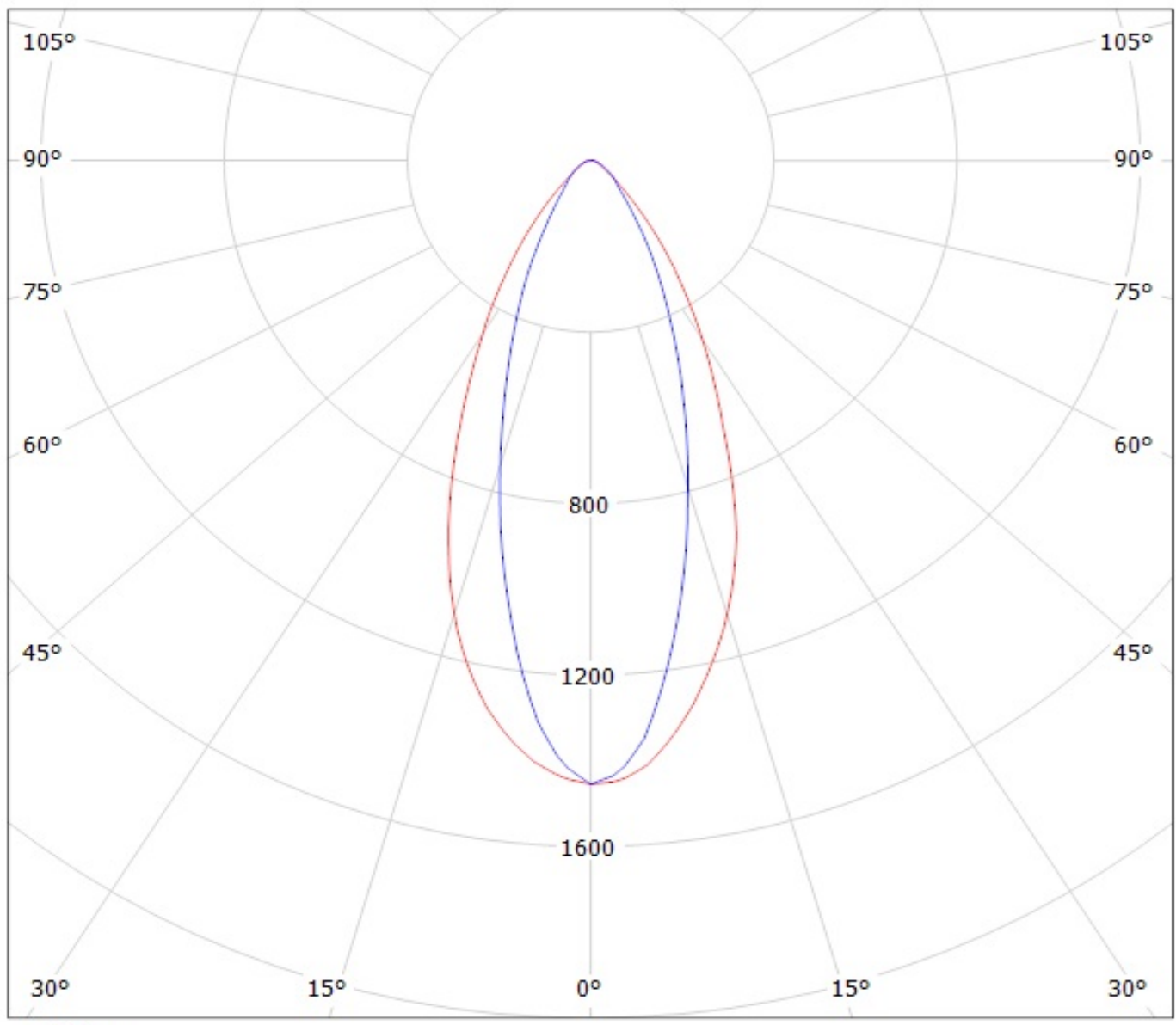


cd/klm

— C0 - C180

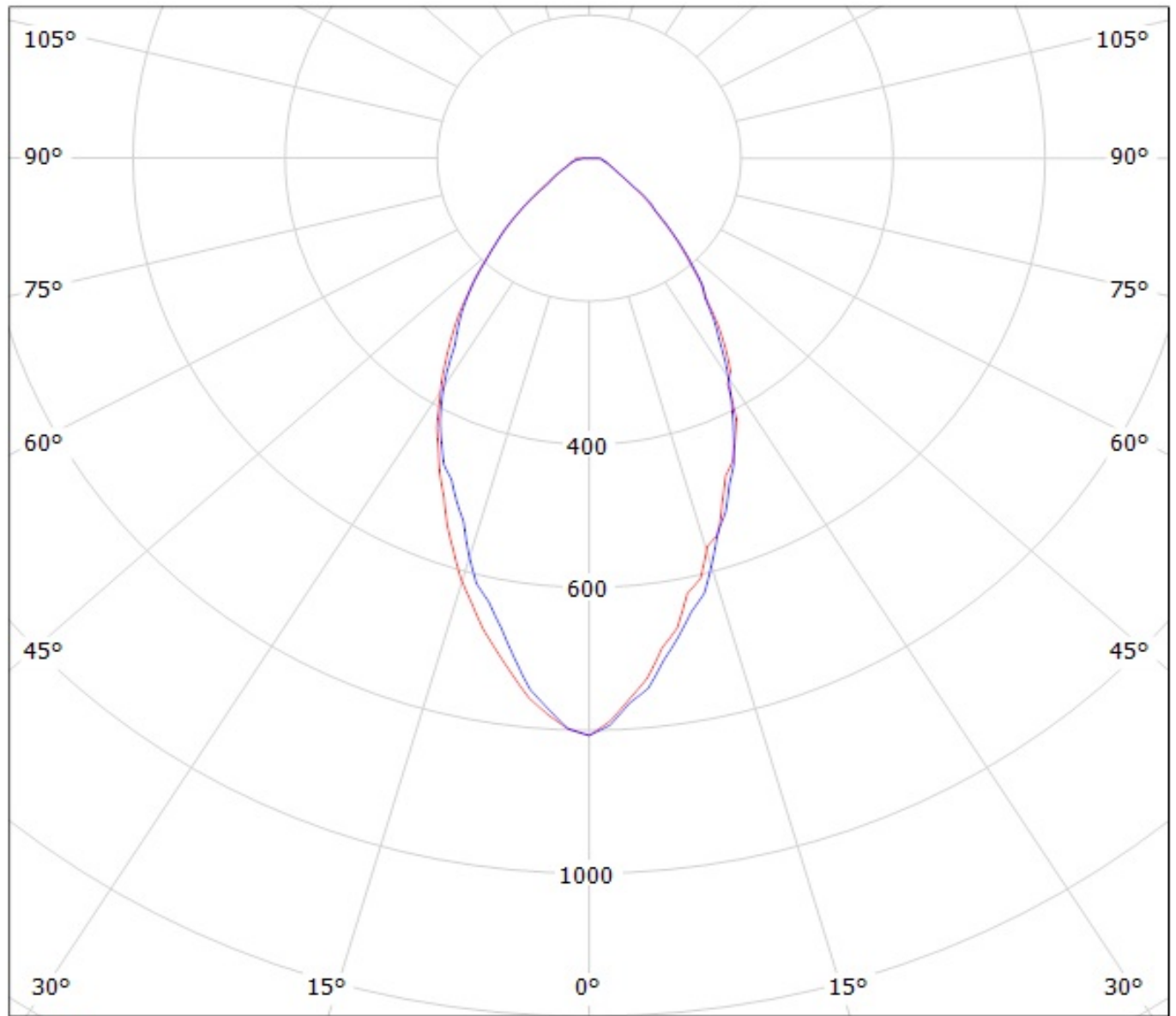
— C90 - C270

Luminaire: Ledil Oy CA13044_TINA3-00 (Cree XP-E 76lm @ 250mA) Efficiency=93%
Lamps: 1 x Cree XP-E 76lm @ 250mA



cd/klm
— C0 - C180 — C90 - C270

Luminaire: Ledil Oy CA13045_TINA3-WWW (Cree XP-E 76lm @ 250mA) Efficiency=92%
Lamps: 1 x Cree XP-E 76lm @ 250mA



cd/klm

— C0 - C180

— C90 - C270