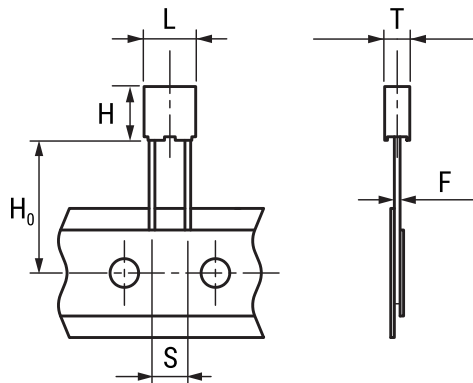


R82, Film, Metallized Polyester Stacked, Automotive Grade, 2.2 uF, 5%, 50 VDC, 85°C, Lead Spacing = 5mm



Dimensions

| | |
|-----------|-----------------|
| L | 7.2mm +0.3mm |
| H | 11mm +0.1mm |
| T | 6mm +0.1mm |
| S | 5mm +0.6/-0.1mm |
| H0 | 18.5mm +/-0.5mm |
| F | 0.5mm +/-0.05mm |

Packaging Specifications

| | |
|----------------------------|-------------------------|
| Packaging: | Ammo, 360x340x59mm, Box |
| Packaging Quantity: | 1400 |

General Information

| | |
|------------------------|---|
| Supplier: | KEMET |
| Series: | R82 |
| Dielectric: | Metallized Polyester Stacked |
| Style: | Radial |
| Features: | Automotive Grade, DC Multipurpose Applications |
| RoHS: | Yes |
| Lead: | Wire Leads |
| Qualifications: | AEC-Q200 |
| AEC-Q200: | Yes |
| Miscellaneous: | Above 85C DC And AC Voltage Derating Is 1.25%/C |

Specifications

| | |
|-------------------------------|-------------------------|
| Capacitance: | 2.2 uF |
| Capacitance Tolerance: | 5% |
| Voltage AC: | 30 VAC |
| Voltage DC: | 50 VDC |
| Temperature Range: | -55/+105C |
| Rated Temperature: | 85°C |
| Dissipation Factor: | 0.80% 1kHz, 1.20% 10kHz |
| Insulation Resistance: | 454.5 MOhms |
| Max dV/dt: | 100 V/us |
| Inductance: | 7 nH |