

Audio Connector, Plug, 3.5 mm, 3-pole, solder terminal, insulated, angled



### Description

- Solder terminal:  
for cable mounting
- Audio entrances and exits
- Data and Signal transfer
- Audio Plug: 3-pole, insulated, angled

### References

Alternative: Housing shielded [4832.1300](#)

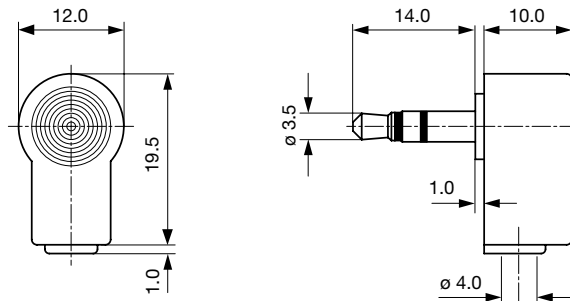
### Weblinks

[pdf-datasheet](#), [html-datasheet](#), [General Product Information](#), [RoHS](#), [CHINA-RoHS](#), [REACH](#), [Mating Connectors](#), [e-Shop](#), [SCHURTER-Stock-Check](#), [Distributor-Stock-Check](#)

### Technical Data

Diameter	3.5 mm	Allowable Operation Temp.	-20 °C to 70 °C
Number of Poles	3-pole	Terminal	solder terminal nickel-plated
Ratings DC	0.5 A / 30 VDC	Housing	insulated
Ratings AC	0.5 A / 30 VAC	Style	angled
Dielectric Strength	500 VDC	Lifetime	5000 Insertions
Insulation Resistance	> 100 MΩ @ 500 VDC		

### Dimensions



Cable diameter max. 4.0 mm

### All Variants

Product group	Diameter [mm]	Number of Poles	Terminal	Order Number
Audio Plug/Sockets	3.5	3-pole	solder terminal	<a href="#">4832.1320</a>

Availability for all products can be searched real-time: <http://www.schurter.com/en/Stock-Check/Stock-Check-SCHURTER>

**Packaging unit** 100 Pcs

## Mating Outlets/Connectors

## Category / Description

[Audio Plug/Sockets Overview complete](#)

Audio Connector, Socket, 3.5 mm, 3-pole, solder terminal, shielded	4832.2300
Audio Connector, Socket, 3.5 mm, 3-pole, solder terminals for PCB, shielded	4832.2320
Audio Connector, Socket, 3.5 mm, 3-pole, solder terminals for PCB, insulated	4832.2330
Audio Connector, Plug, Inline Socket, 3.5 mm, 3-pole, solder terminal, insulated	4832.3300

[Audio Plug/Sockets further types to 4832 Audio-Stecker, D=3,5mm](#)