

**PLEASE CHECK WWW.MOLEX.COM FOR LATEST PART INFORMATION**

**Part Number:** [502386-0370](#)  
**Status:** **Active**  
**Overview:** [CLIK-Mate™ Wire-to-Board Connectors](#)  
**Description:** 1.25mm Pitch CLIK-Mate™ Wire-to-Board PCB Receptacle, Single Row, Right Angle, 3 Circuits

**Documents:**

<a href="#">3D Model</a>	<a href="#">Application Specification AS-502380-002 (PDF)</a>
<a href="#">Drawing (PDF)</a>	<a href="#">Packaging Specification SPK-502386-001 (PDF)</a>
<a href="#">Product Specification PS-502382-001 (PDF)</a>	<a href="#">RoHS Certificate of Compliance (PDF)</a>

**Agency Certification**

UL E29179

**General**

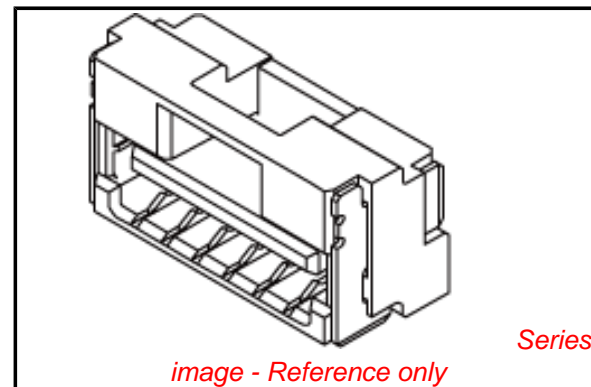
Product Family	PCB Receptacles
Series	<a href="#">502386</a>
Application	Signal, Wire-to-Board
MolexKits	Yes
Overview	<a href="#">CLIK-Mate™ Wire-to-Board Connectors</a>
Product Name	CLIK-Mate™
UPC	822350895682

**Physical**

Circuits (Loaded)	3
Circuits (maximum)	3
Color - Resin	Natural
Durability (mating cycles max)	30
Glow-Wire Compliant	No
Guide to Mating Part	Yes
Keying to Mating Part	Yes
Lock to Mating Part	Yes
Mated Height	5.55mm
Material - Plating Mating	Tin
Material - Plating Termination	Tin
Material - Resin	High Temperature Thermoplastic
Net Weight	210.801/mg
Number of Rows	1
Orientation	Right Angle
PCB Locator	No
PCB Retention	None
Packaging Type	Embossed Tape on Reel
Pitch - Mating Interface	1.25mm
Pitch - Termination Interface	1.25mm
Plating min - Mating	1.016µm
Plating min - Termination	1.016µm
Polarized to Mating Part	Yes
Polarized to PCB	No
Stackable	No
Surface Mount Compatible (SMC)	Yes
Temperature Range - Operating	-25°C to +85°C
Termination Interface: Style	Surface Mount

**Electrical**

Current - Maximum per Contact	1A
Voltage - Maximum	50V AC (RMS)/DC



**EU RoHS**

**ELV and RoHS Compliant**  
**REACH SVHC Contains SVHC: No**  
**Low-Halogen Status Not Low-Halogen**

**China RoHS**



**Need more information on product environmental compliance?**

Email [productcompliance@molex.com](mailto:productcompliance@molex.com)  
 For a multiple part number RoHS Certificate of Compliance, [click here](#)

Please visit the [Contact Us](#) section for any non-product compliance questions.

**Search Parts in this Series**

[502386Series](#)

**Mates With**

[502380 Crimp Housing](#)

## Material Info

### Reference - Drawing Numbers

Application Specification  
Packaging Specification  
Product Specification

AS-502380-002  
SPK-502386-001  
PS-502382-001, RPS-502382-003, RPS-502382-005,  
RPS-502382-006, RPS-502382-008, RPS-502382-011,  
RPS-502382-012, RPS-502382-013, RPS-502382-016,  
RPS-502382-017, RPS-502382-018, RPS-502382-019,  
RPS-502386-002  
SD-502386-001, SD-502386-003

Sales Drawing

This document was generated on 12/17/2014

**PLEASE CHECK [WWW.MOLEX.COM](http://WWW.MOLEX.COM) FOR LATEST PART INFORMATION**