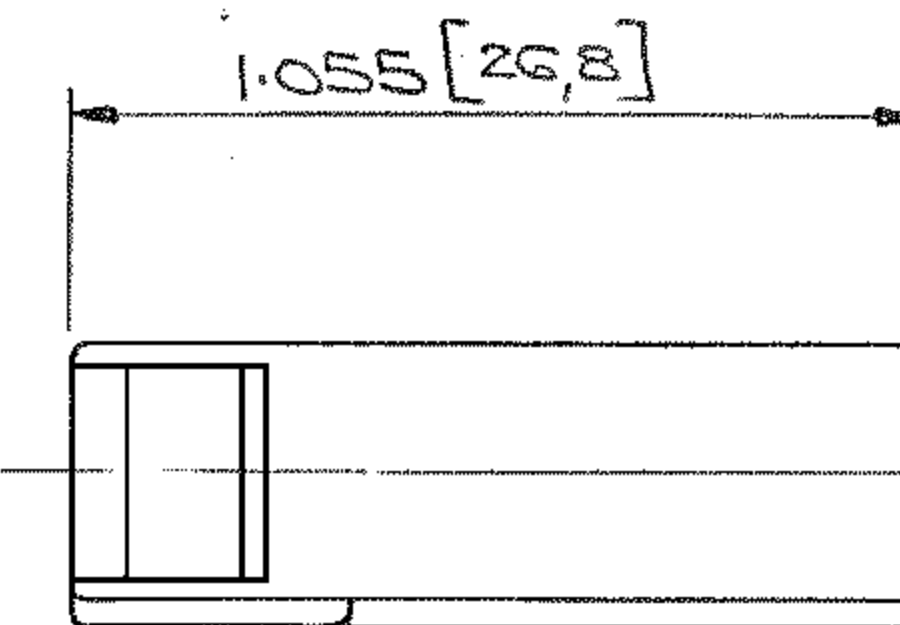
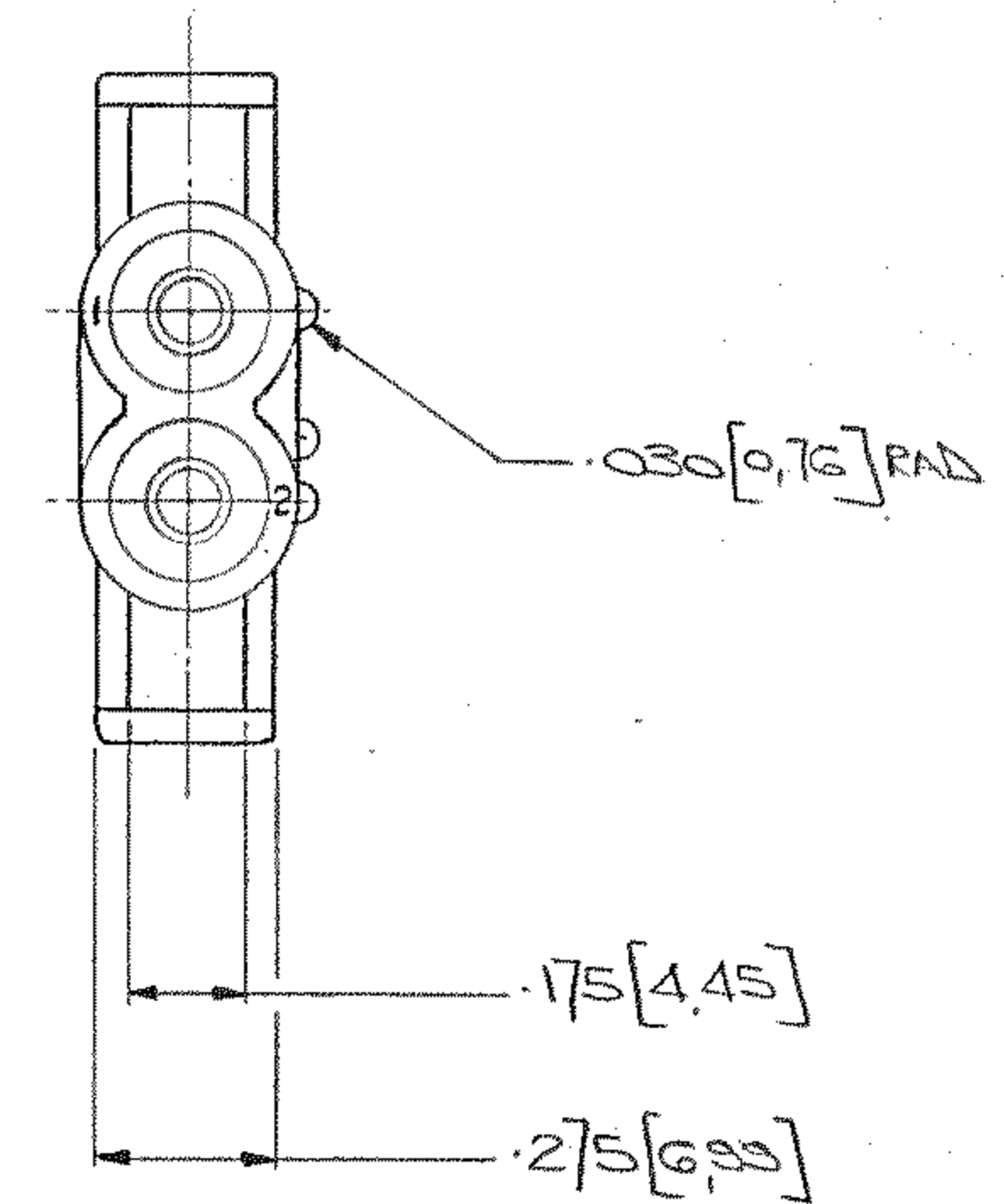
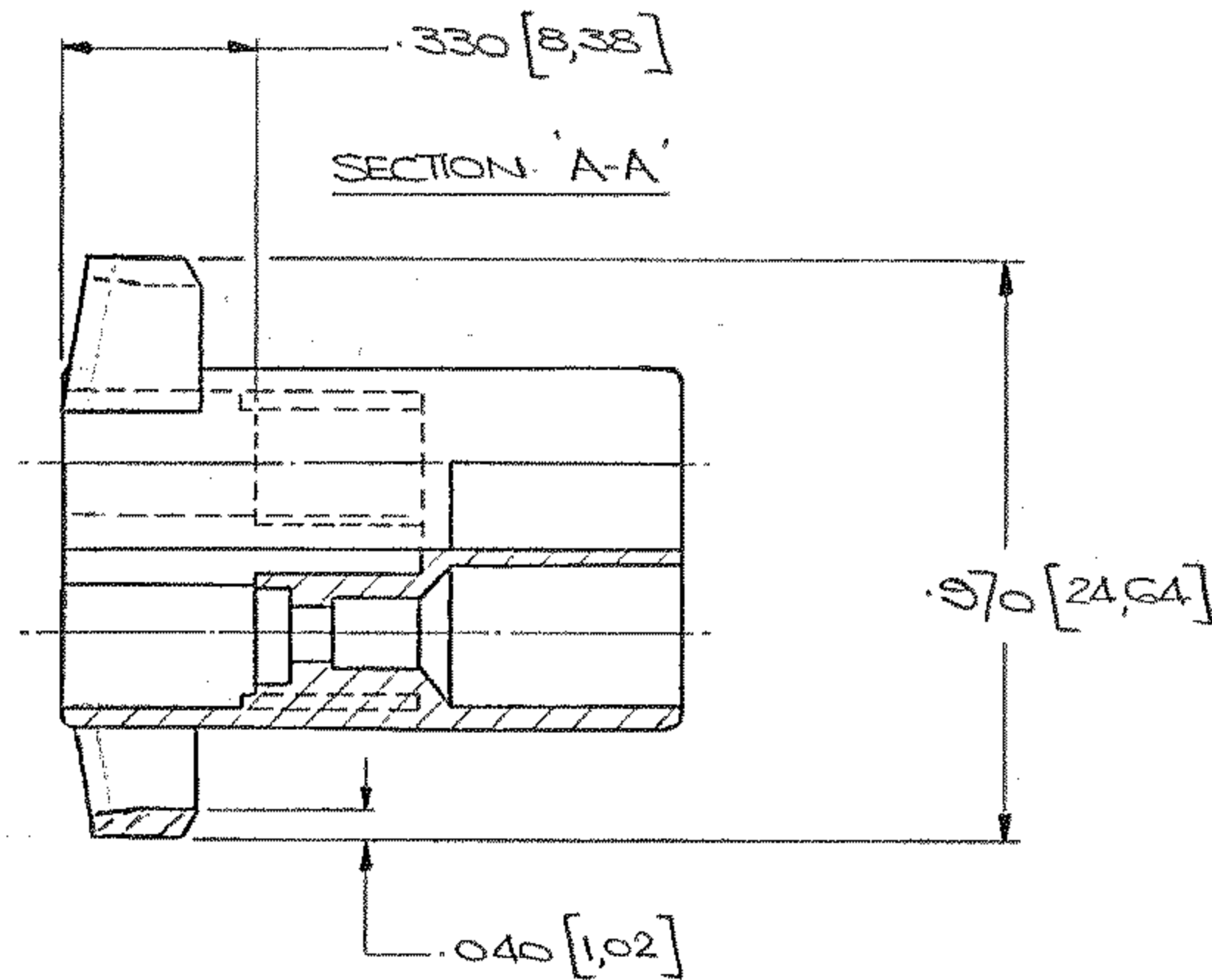
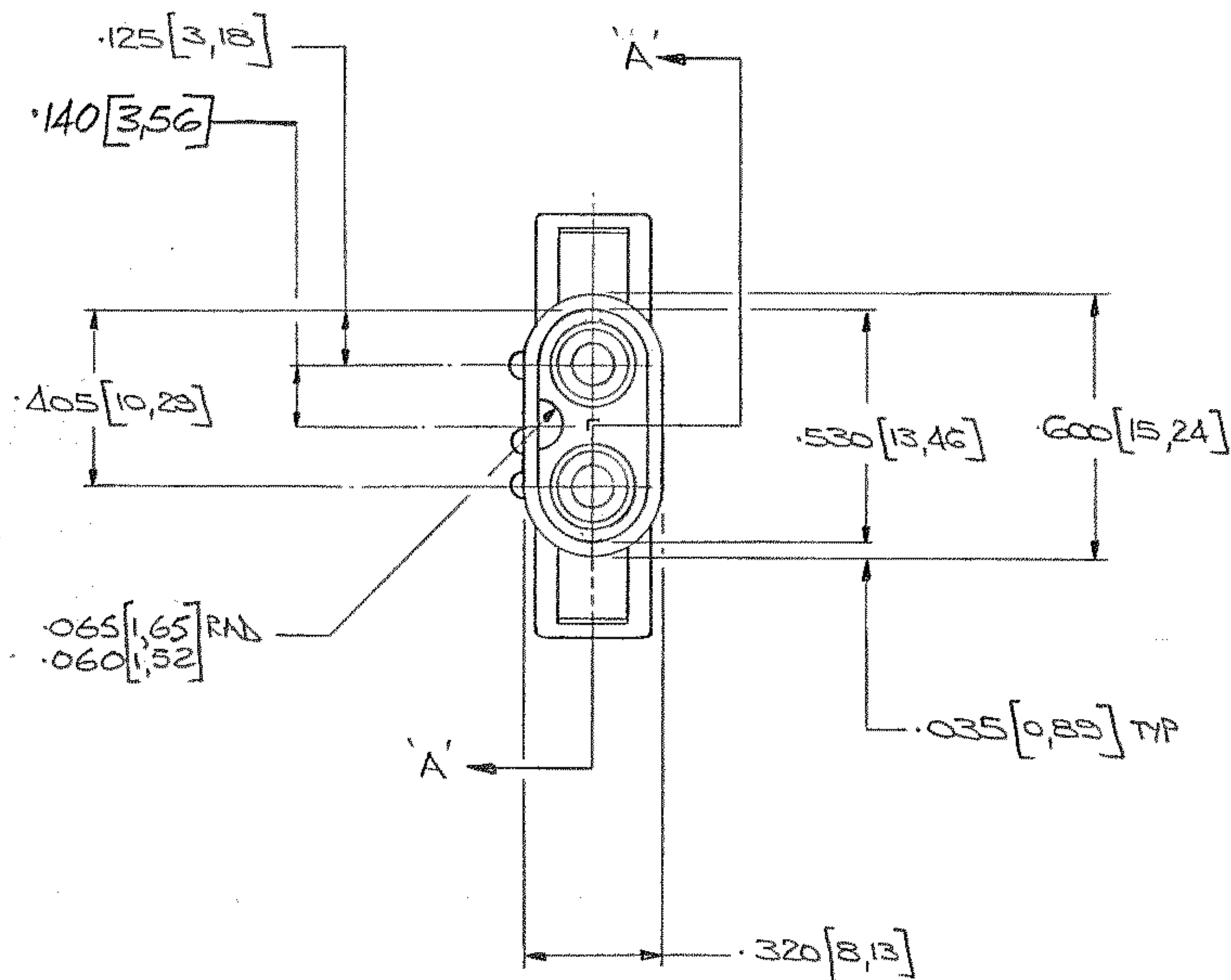


1 OBSOLETE PARTS: OBSOLETE CIS STREAMLINING PER  
D.RENAUD/D.SINISI

NUMBER  
C 151679



	2-151679-0	NATURAL	NYLON TO UL94 V0
OBSOLETE	151679-0	NATURAL	151679-0
	151679-9	BLACK	NYLON 6-6
	-8	GREY	↑
	-7	VIOLET	
OBSOLETE	-6	BLUE	
	-5	GREEN	
1	-4	YELLOW	
	-3	ORANGE	
	-2	RED	
	-1	BROWN	
	151679-0	NATURAL	NYLON 6-6
	PART NUMBER	COLOR	MATL.

K REV/AS PER E.C.N. C2172 MP 12/3/80

J	PICTORIALLY ALTERED	KS	-	24/6/79
H	3-0 ADDED	DR		19-8-77
G	2 RIBS ON 100 CRS ADDED C.S.			25-3-76
F	PIN 2-151679-0 WAS 1-151679-1	SAN		13-9-74
E	1-151679-1 ADDED	C.S.		22-8-74
D	.140 WAS .143	PUM		22/1/71
C	.065 RAD WAS .050 RAD	DI		1/10/70
M1	REVISED PER ECO-09-022178	KK		22/09/09
M	ECR-07-011558	MG		16/05/07

SEE ECN C3016 DET 5.8.83  
AIRCRAFT-MARINE PRODUCTS (GREAT BRITAIN) LTD 1967  
CUSTOMER COPY REFERENCE ONLY

MATERIAL AND FINISH  
SEE TABLE  
CLASS

WIRE -- RANGE -- INSULATION TYPE

LTR	REVISION RECORD	DR	CHK	DATE	TOLERANCE EXCEPT AS NOTED ± .015 [0,4] ± 1°	SCALE 2-1	LOC E	REV M	NO G-151679	REV M1
DA	DR	DE	DR	DATE	NAME	2-WAY MATE-N-LOK PIN HOUSING				

PRINT DIST.