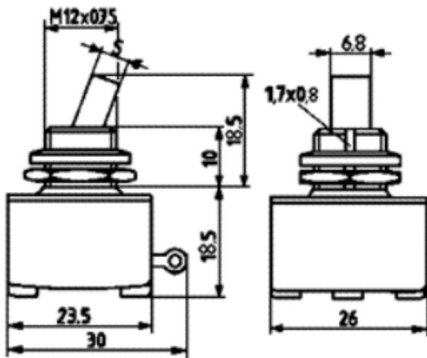



**Product image / Drawings**



Similar to original product



**Technical data**

|                                    |  |
|------------------------------------|--|
| <b>Product number</b>              | <b>0132.0101</b>   |
| Actuator color / printing          |   |
| Business unit                      | Switches & Sensors   |
| Product Manager                    | Mattes   |
| Product family                     | Toggle switches  |
| Weight                             | 23.300 g   |
| ROHS conform                       | yes  |
| Switching function                 | ON / OFF switch (DPST)   |
| Material fixed contact             | CuZn silver-plated   |
| Number of poles                    | 2-polig  |
| connections                        | Solder terminal  |
| Mechanical life endurance          | 5E4  |
| Rating IEC                         | 2 A 250 V 1E4  |
| Actuators and additional actuators | lever: PA, black   |
| Housing description                | base plate: Type 31, black<br>bracket plate: CnZn nickel-plated, with labelling 0 - I<br>threaded socket: CnZn nickel-plated, with knurled nut and hexagonal nut of nickel-plated CuZn |
| Connection surface                 | bearing connection silver plated<br>external connection silver plated  |
| Contact material                   | CuZn silver plated   |
| Contact type                       | jump contact (roll contact)  |
| Miscellaneous                      | actuating torque 90.0 Nmm ± 27.0   |
| Type of fastening                  | central fastening M12 x 0.75   |