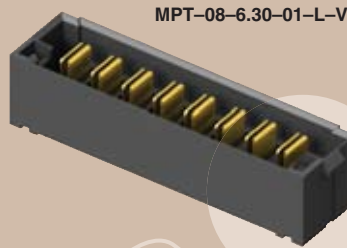


(5,00mm) .197"

MPT SERIES



MPT-04-6.30-01-L-V

25A DUAL BLADE HEADER

SPECIFICATIONS

For complete specifications see www.samtec.com?MPT

Insulator Material:

Black LCP

Terminal Material:

Copper Alloy

Plating:

Sn or Au over 50µ" (1,27µm) Ni

Operating Temp Range:

-55°C to +105°C with Tin;

-55°C to +125°C with Gold

Voltage Rating:

600 VAC/848 VDC

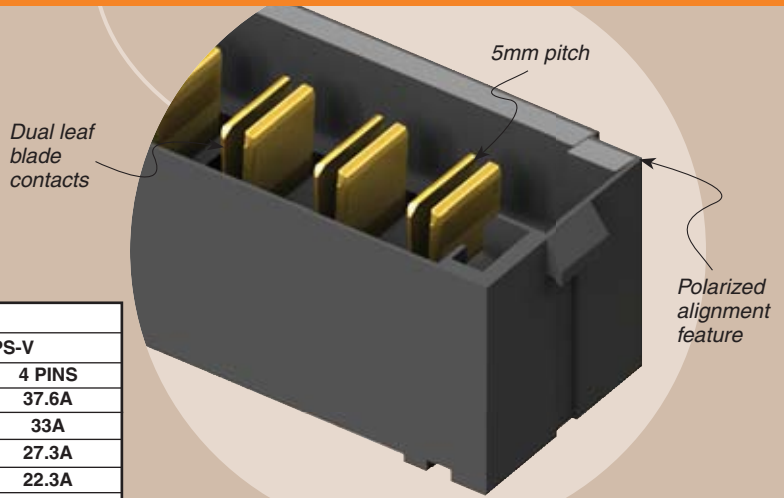
RoHS Compliant:

Yes

Lead-Free Solderable:

Yes

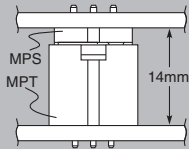
Mates with:
MPS, MPSS



AMBIENT TEMP	CURRENT RATING	
	MPT-V/MPS-V	
	2 PINS	4 PINS
20°C	41.7A	37.6A
40°C	36.5A	33A
60°C	30.3A	27.3A
75°C	24.7A	22.3A

-T PLATING

MATED HEIGHT



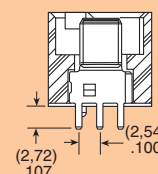
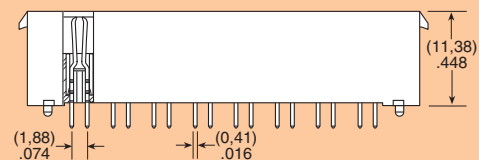
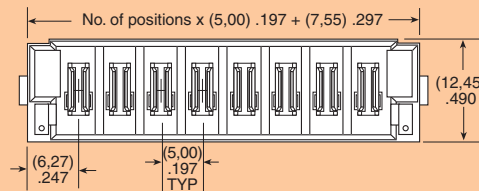
ALSO AVAILABLE

- Power/Signal combination Headers. See MPTC Series.
- High Power Headers. See PET Series.
- Right Angle. See MPT-RA Series.

APPLICATION SPECIFIC OPTION

- Locking Clip (Manual placement required).
- Solder leads for (2,36mm) .093" thick board. Call Samtec.

MPT	POWER PINS	LEAD STYLE	TAIL LENGTH	PLATING OPTION	V
	-02, -03, -04, -06, -08	-6.30 = (6,30mm) 0.248"	-01 = Use with (1,60mm) .062" Thick PCB	-L = 10µ" (0,25µm) Gold on contact, Matte Tin on tail -T = Matte Tin	



Note: Some sizes, styles and options are non-standard, non-returnable.

Due to technical progress, all designs, specifications and components are subject to change without notice.

WWW.SAMTEC.COM