



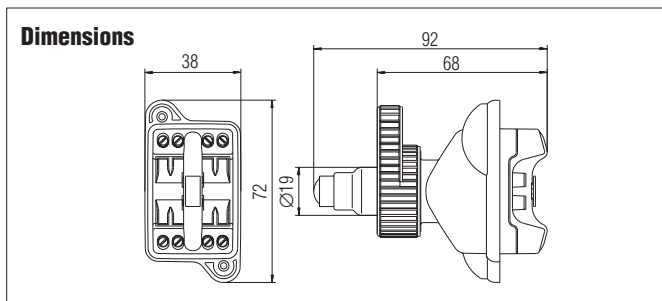
*ComEx^{flex}
Illuminated
button*

Description

The ComEx^{flex} illuminated button is used in almost all hazardous (potentially explosive) areas where machine functions are activated by pressing a button and the corresponding functional status is to be indicated visually.

ComEx^{flex} is flexible and in addition to a large number of illuminated button actuators it offers a junction box to facilitate a safe and convenient installation of the module into a control panel. The module contacts are designed as snap-action contact elements.

The conductors are connected by means of terminals on the back of the module which have an increased safety level. The easy installation of the lamp module actuating elements, without tools, ensures conformance to the high IP degree of protection.



Selection chart					
Type of contacts	Code no.	Colour LED	Code no.	Colour actuator	Code no.
1 N/C 	7	red	1	red	5
		green	2	green	6
		yellow	3	yellow	7
1 N/O 	8	white	4	white	8
		blue	5	blue	9

Features

- One module for all fields of application
- Excellent luminosity
- High flexibility thanks to the junction box
- Low installation depth

ComEx^{flex} Illuminated Button

Explosion protection

Ex protection type Ex II 2G Ex de IIC Gb
Ex I M2 Ex de I Mb

Certification PTB 97 ATEX 1064 U
IECEx PTB 10.0014 U

Ambient temperature -55 °C to +60 °C

Technical Data

Protection class determined by the actuating element and control station enclosures, terminals IP 20 (IEC 60529).

Rated Insulation voltage 300 V

Rated operating voltage AC 12 V to 250 V (T_a ≤ +50 °C)
DC 12 V to 60 V (T_a ≤ +50 °C)
AC/DC 12 V to 24 V (T_a ≤ +60 °C)

Power consumption < 1 W

Lamp LED, red, green, yellow, white, blue

Contacts 1 N/C or 1 N/O
as snap switch element
AC 15: 1 A, 230 V

Illumination very bright, over a visible angle of 180°

Enclosure material thermoplastic

Type of connection terminals 2.5 mm², fine-stranded

Service life electrical: >10⁵ running hours
mechanical: >10⁵ switching cycles

Storage and transport temperature -55 °C to +70 °C

Weight approx. 110 g

Mounting locked, bayonet lock

Shock resistance DIN EN 60068-2-27: 2010, 30 g 18 ms

Complete order no.

Illuminated button
without actuating element

Actuating element
Standard

Increased oil resistance

07-3363-4

05-0003-006

05-0003-006

0

00

00BN