

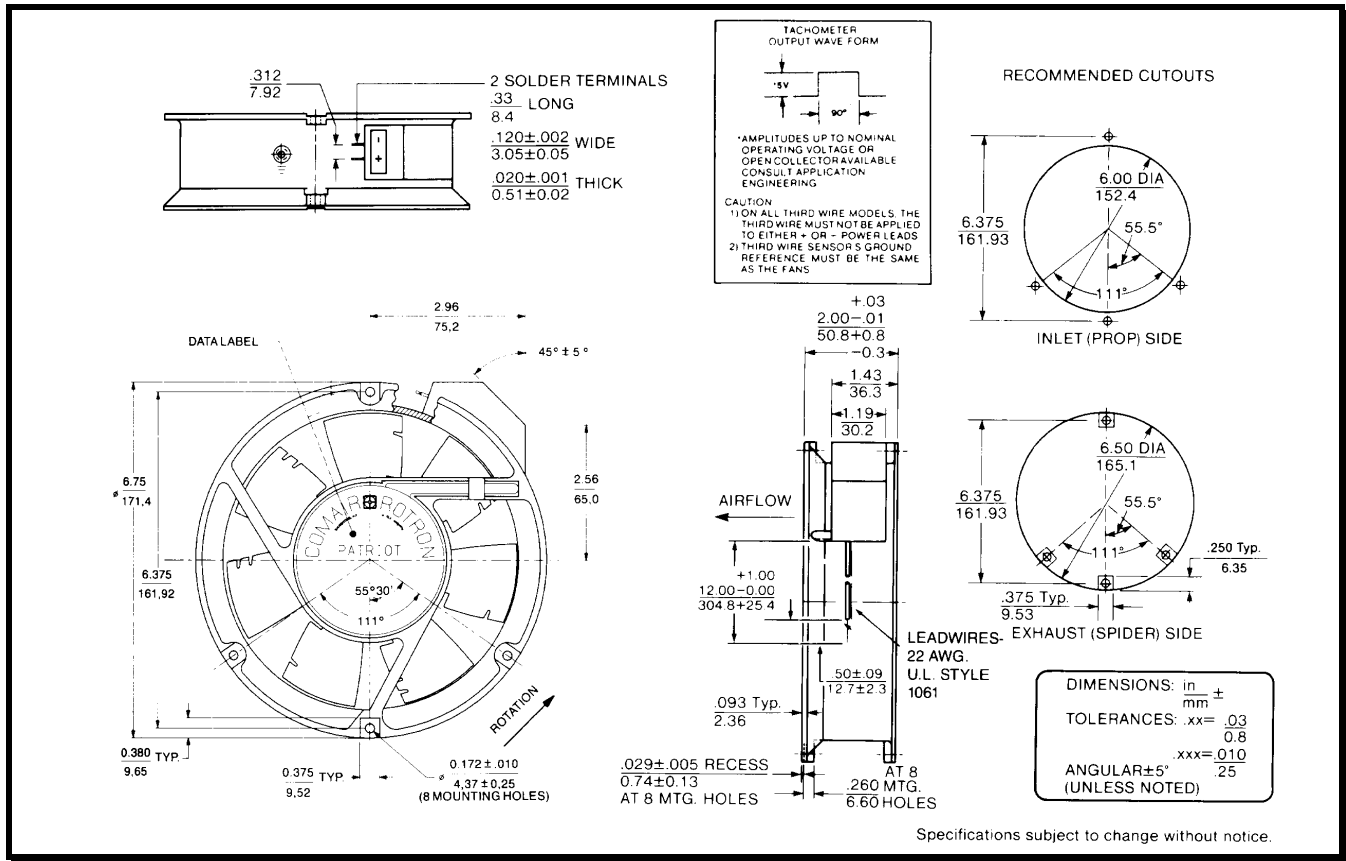
SPECIFICATIONS



Model Number: PQ48B4
Part Number: 19031085A

Apr. 01, 2016

Mechanical Drawing:



Motor:

Nominal Voltage	= 48 vdc
Operating Voltage Range	= 24 - 56 vdc
Nominal Running Current	= 0.460 amps
Locked Rotor Current	= 1.000 amps
Running Power	= 22.0 watts
Average Speed	= 3475 RPM
Bearings	= Ball
Air Flow	= 235 CFM
Acoustic	= 51.2 dBA

Construction:

Venturi: Die-Cast Aluminum, Black
 Propeller: Plastic, Black, UL 94V-0

Life Expectancy:

This fan is designed for continuous duty life of 75,000 hours at 40°C.

Additional Features:

Brushless DC Motor
 Locked Rotor Protection
 Reverse Polarity Protected
 Automatic restart Capability
 Operating Temperature: -10°C to 70°C
 Storage Temperature: -40°C to 85°C

Termination:

2 Terminals

Agency Approvals:

UL, CE