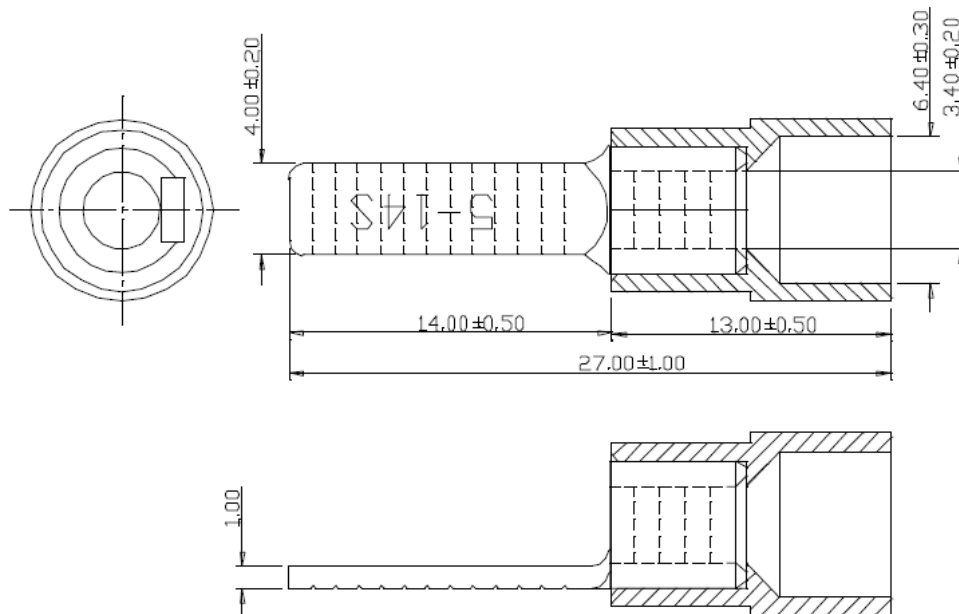


## Datasheet

# Insulated Crimp Blade Terminal 14mm Blade length

RS Stock number [613-9823](#)

Drawing (mm):



## Specifications:

1. MAXIMUM ELECTRIC CURRENT:
 

A, W, G,	12	10
AMP,	35	50
2. MAXIMUM ELECTRICAL RATING: 75°C 600 VOLTS MAX.
3. INSULATION MATERIAL: VINYL
4. INSULATION COLOR: YELLOW
5. TERMINAL MATERIAL: COPPER
6. WIRE RANGE: 12-10A, W.G. (4-6mm<sup>2</sup>)