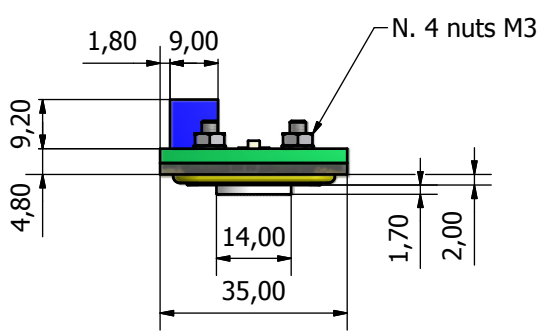
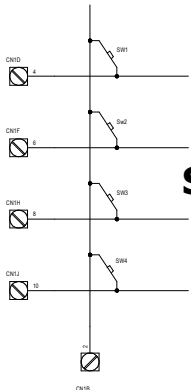



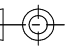
**Customer panel CUT-OUT:
25,5 x 82,5 x R2,25 +/- 0.1 mm
Panel thickness 1,5/2,0 mm**



(CN1) 10 Pins ribbon plug connector
(1 x 4 Output matrix)



Schematic Diagram

THIS DRAW IS A RESERVED PROPERTY OF APEM ITALIA S.r.l.		All dimensions in mm unless otherwise stated -DO NOT SCALE DRAWING-		TOLERANCES UNLESS OTHERWISE STATED: LINEAR ± 0,1 mm ANGULAR ± 30'				
REPRODUCTION FORBIDDEN	DATE	SIGNATURE	DESCRIPTION					
DRAWN	27/10/2008	P. Mollo	Serie 82 - T4PRF - Assembly					
CHECKED								
APPROVED								
 APEM ITALIA S.r.l. via G. Marconi 147/G 12030 MARENE (CN) - ITALIA Tel. +39.0172.743170 Fax. +39.0172.743171 apem.italiai@apem.it www.apem.com			PART N.	59820008	SCALE	1:1	 REV. 0	
				59820008 .DWG	SHEET	1 / 1		INDEX REF.

4					
3					
2					
1					
ZONA	REV	DESCRIZIONE	DATA	APPROVATO	
CRONOLOGIA REVISIONI					