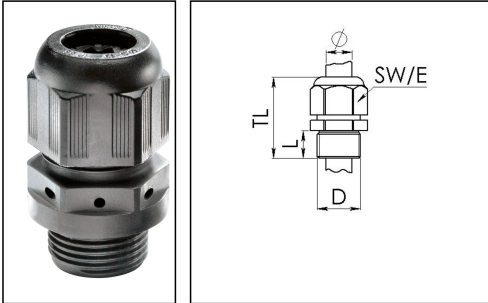


ESVG 32

Pressure compensation cable gland, polyamide



Product illustrations are exemplary and may differ from the chosen product. Further variants and individual customization, we will gladly provide you on request.



Material cable gland	Polyamide
Material membrane	ePTFE
Material sealing gasket	EPDM
Temp. range min	-40 °C
Temp. range max	100 °C
Intermittent temp. range	120 °C
Protection class	IP 68, to 0,6 bar, IP 69K
Thread type	M
Connection thread size D	32
Lead	1,5
Length screw-in thread L	12 mm
Cable diameter min	13 mm
Cable diameter max	21 mm
Cable Diameter UL	14,6 mm - 19,5 mm
Key width SW	36 mm
Collar diameter (E)	40 mm
Total length TL	49 mm - 58 mm
Product Color	RAL 9005
Order no. RAL 9005	10100802
Type	ESVG 32
Packing unit	1
ETIM-Classification	EC000441

Recommended accessories

EMUG 32	10061784
RDE 32	10062186
BS 14	10064011
BS 21	10064014
MFD 32/04/070	10064344
MFD 32/06/060	10064345
MFD 32/04/080	10064950
MFD 32/03/080	10101018
MFD 32/05/070	10101140
MFD 32/01/115-01/085	10101256
MFD 32/03/065	10102169
MFD 32/03/090	10102170

10.11.2014