



Emergency switching off key-operated button, 1 N/C, front mount



Powering Business Worldwide™

Part no. M22-PVS/K01
Article no. 216514
Catalog No. M22-PVS-K01Q

Delivery programme

Approval



Product range

Basic function
 Single unit/Complete unit
 Description

Mushroom colour (yellow base)

Contacts
 N/C = Normally closed

Notes

Contact sequence

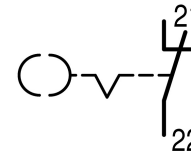
Front ring
 Connection to SmartWire-DT

RMQ-Titan (drilling dimensions 22.5 mm)
 Emergency stop buttons
 Complete unit
 Tamper-proof according to ISO 13850/EN 418
 With 1 key
 Individual lock mechanism MS1
 Not suitable for master key systems
 Release by using the key

Red

1 NC

= safety function, by positive opening to IEC/EN 60947-5-1



Bezel: Silver
 no

Approvals

Product Standards
 UL File No.
 UL Category Control No.
 CSA File No.
 CSA Class No.
 North America Certification
 Degree of Protection

IEC/EN 60947-5; UL 508; CSA-C22.2 No. 14-05; CSA-C22.2 No. 94-91; CE marking
 E29184
 NKCR
 012528
 3211-03
 UL listed, CSA certified
 UL/CSA Type 3R, 4X, 12, 13

General

Standards

Lifespan, mechanical

Operating frequency

Actuating force

Protection type

Climatic proofing

Ambient temperature

Open

Mounting position

		IEC/EN 60947 VDE 0660
Operations	x 10 ⁶	> 0.1
Operations/h		≅ 500
	n	50
		IP66, IP69K
		Damp heat, constant, to IEC 60068-2-78 Damp heat, cyclic, to IEC 60068-2-30
	°C	
	°C	- 25 - + 70
		As required

Technical data ETIM 5.0

Low-voltage industrial components (EG000017) / Emergency stop complete (EC002034)

Electric engineering, automation, process control engineering / Low-voltage switch technology / Command and alarm device / EMERGENCY-STOP pushbutton, complete device (ecl@ss8-27-37-12-44 [ACN986007])

Unlocking method

Key-release

Number of contacts as normally closed contact

1

Number of contacts as normally open contact

0

Degree of protection (IP)

IP66

Mounting method

Built-in

With lighting

No

Hole diameter

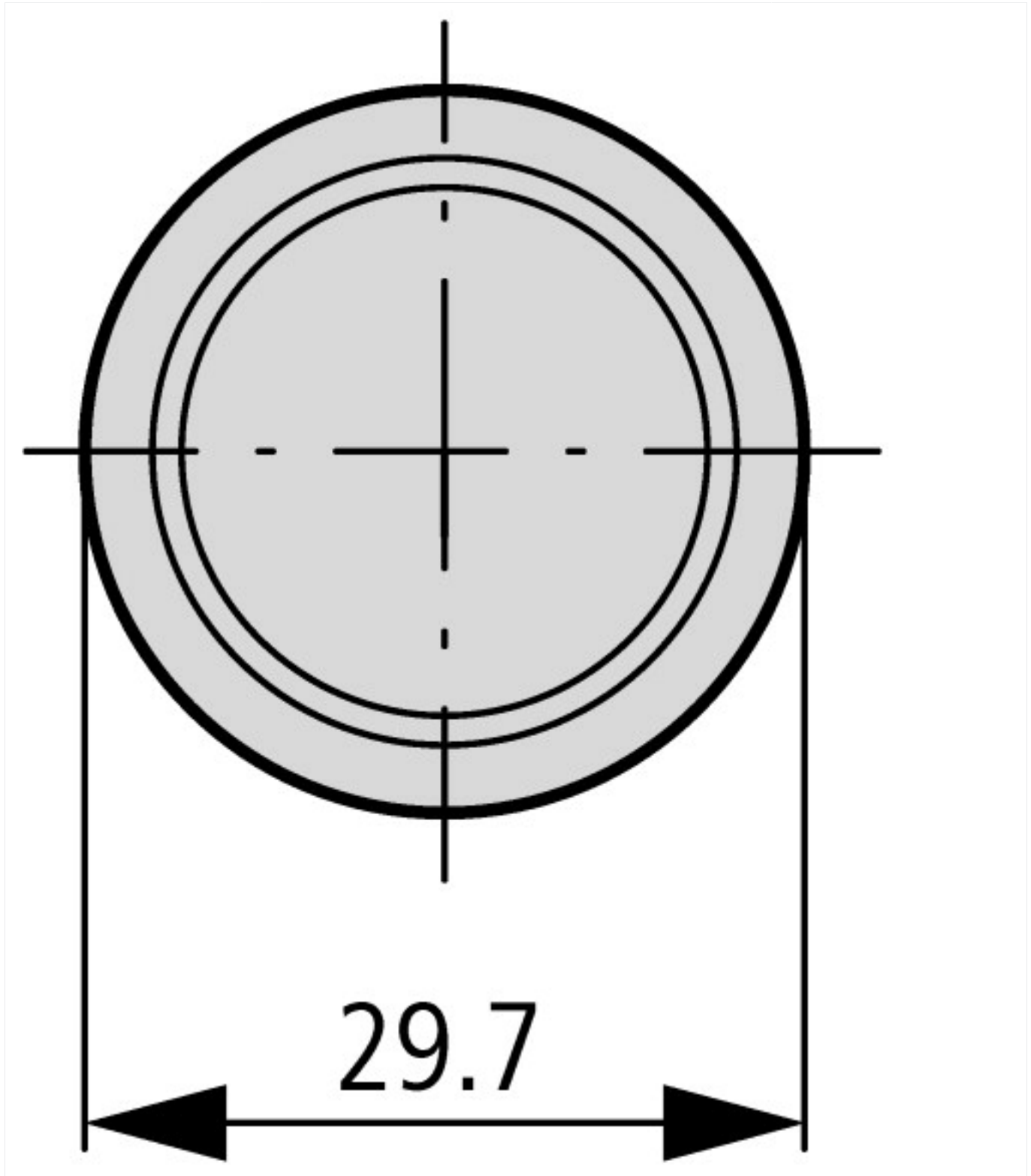
mm

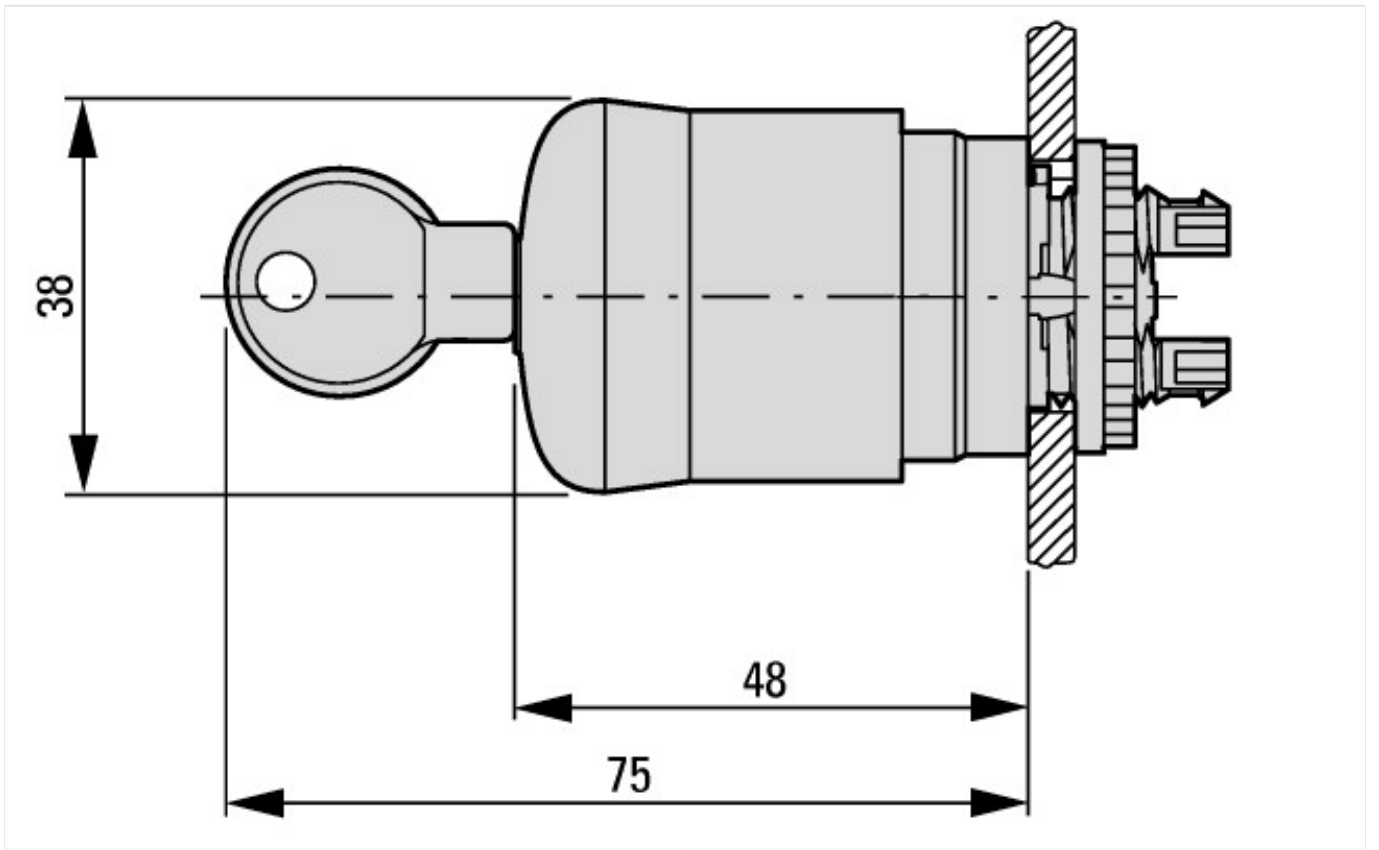
22

Connection type auxiliary circuit

Screw connection

Dimensions





Additional product information (links)

IL04716002Z (AWA1160-1745) RMQ-Titan System

IL04716002Z (AWA1160-1745) RMQ-Titan System

ftp://ftp.moeller.net/DOCUMENTATION/AWA_INSTRUCTIONS/IL04716002Z2013_08.pdf