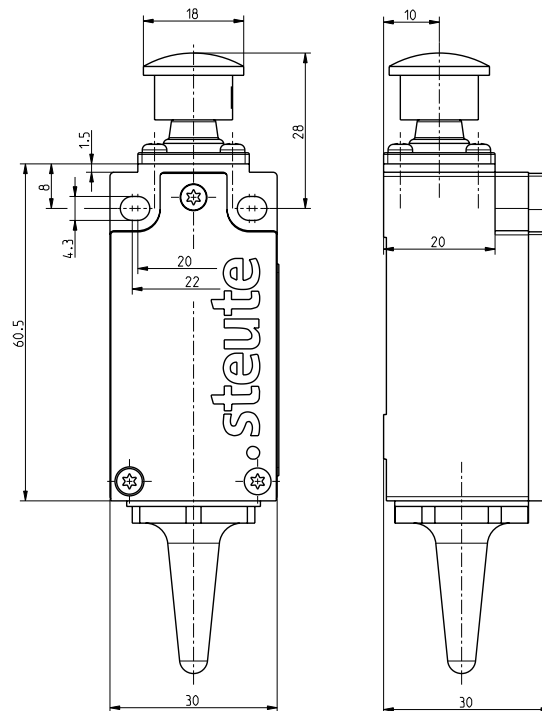


**Dimensional drawing**



**Technical Data:**

Regulations:	IEC 60947-5-1 / EN 60947-5-1 EN 60079-0:2006, EN 60079-11:2007 EN 61241-0:2006, EN 61241-11:2006
Housing:	shockproof thermoplastic, self-extinguishing UL 94-V0
Protection:	IP 67 as per EN 60529
Temperature range:	-20°C ≤ Ta ≤ +60°C
Frequency:	868.3 MHz
Transmission power:	max. 10 mW EIRP
Transmission power by error recovery:	<150mW EIRP
Modulation process:	ASK
Date rate:	120 kbps
Bandwidth channel:	280 kHz
Telegramtyp:	RPS Typ 2
Sensing rate:	max. 300 m outside, max. 30 m inside
Actuation:	plunger with cap
Fixing:	provided for M4
Distance of fixing:	20 - 22 mm
Mechanical operating life:	> 1.000.000 operations
Switching frequency:	max. 1800 operations / h
Explosion protection:	<b>Ex</b> II 2G Ex ib IIC T6 II 2D Ex ibD 21 T80°C BVS 08 ATEX E 111

**Part No.: 95.9.08.9.01 (1183949)**

<b>Author:</b> 2008-09-30 sh	<b>Checked:</b>	<b>Modification:</b>	<b>Checked:</b>	<b>Page:</b> 1 / 1
------------------------------	-----------------	----------------------	-----------------	--------------------