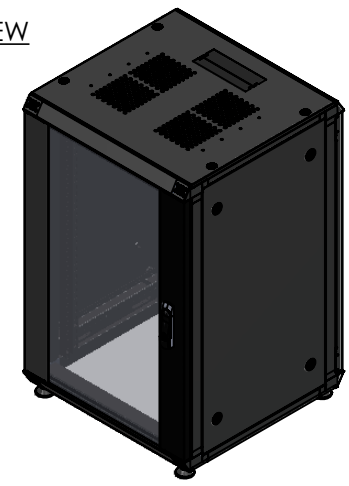
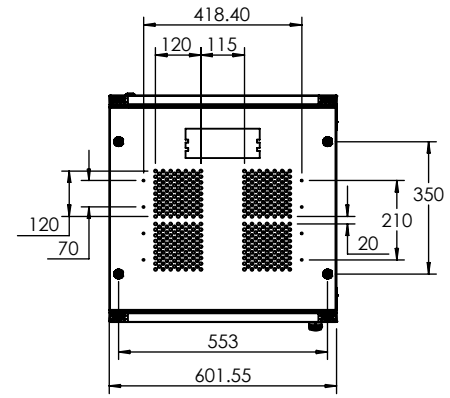
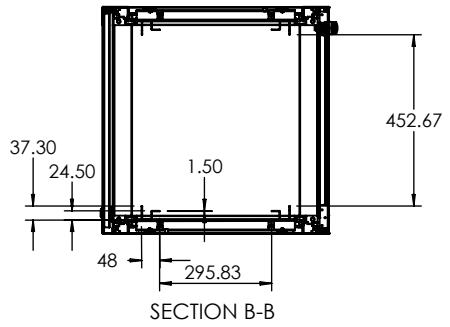


1 2 3 4 5 6

A

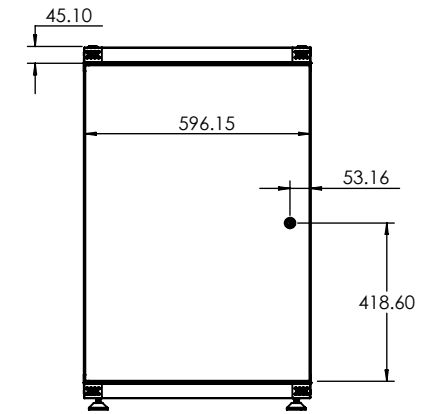
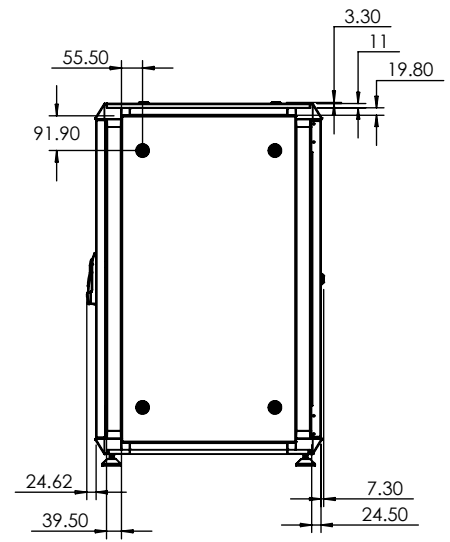
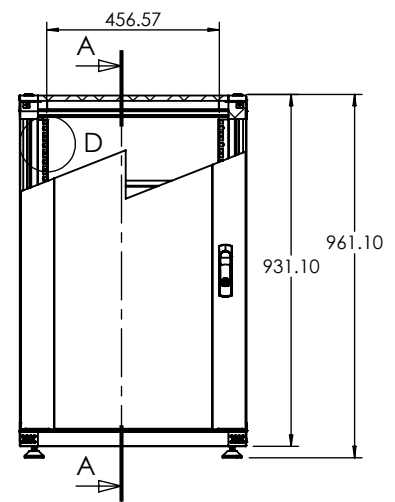
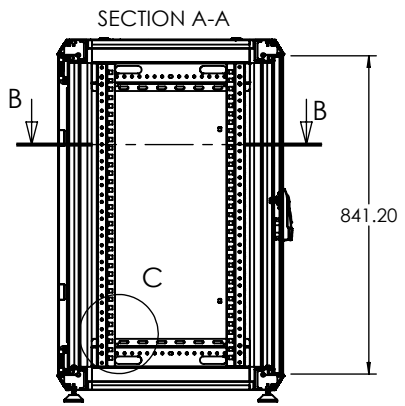
A

ISO VIEW
1:20



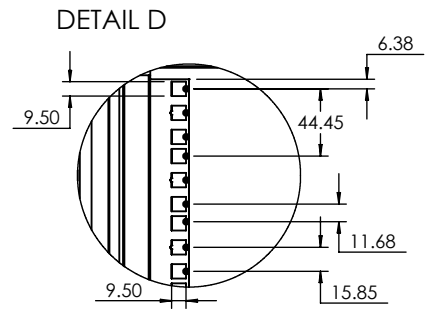
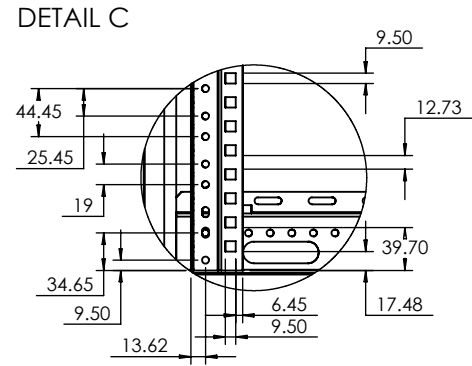
B

B



C

C



D

D

 JAMES CARTER RD, MILDENHALL, SUFFOLK. IP28 7DE TEL: 01638 716101 FAX: 01638 716554 EMAIL: Sales@CamdenBoss.com WEB: www.CamdenBoss.com				UNLESS OTHERWISE SPECIFIED: DIMENSIONS ARE IN MILLIMETERS		DO NOT SCALE DRAWING		REVISION. <input type="checkbox"/>	
				GENERAL TOLERANCES +/- 0.2		TITLE: DIMENSION DRAWING FOR CAMRACK LX 18U 600x600			
FINISH. PAINTED ANTHRACITE				MATERIAL. VAR		DWG NO. CLX186601		A4	
DRAWN IAN PAGANO		SIGNED I.P.		DATE 03/01/14		SCALE 1:20		SHEET 1 OF 1	
CHKD -		-		-		PROJECTION.			

1 2 3