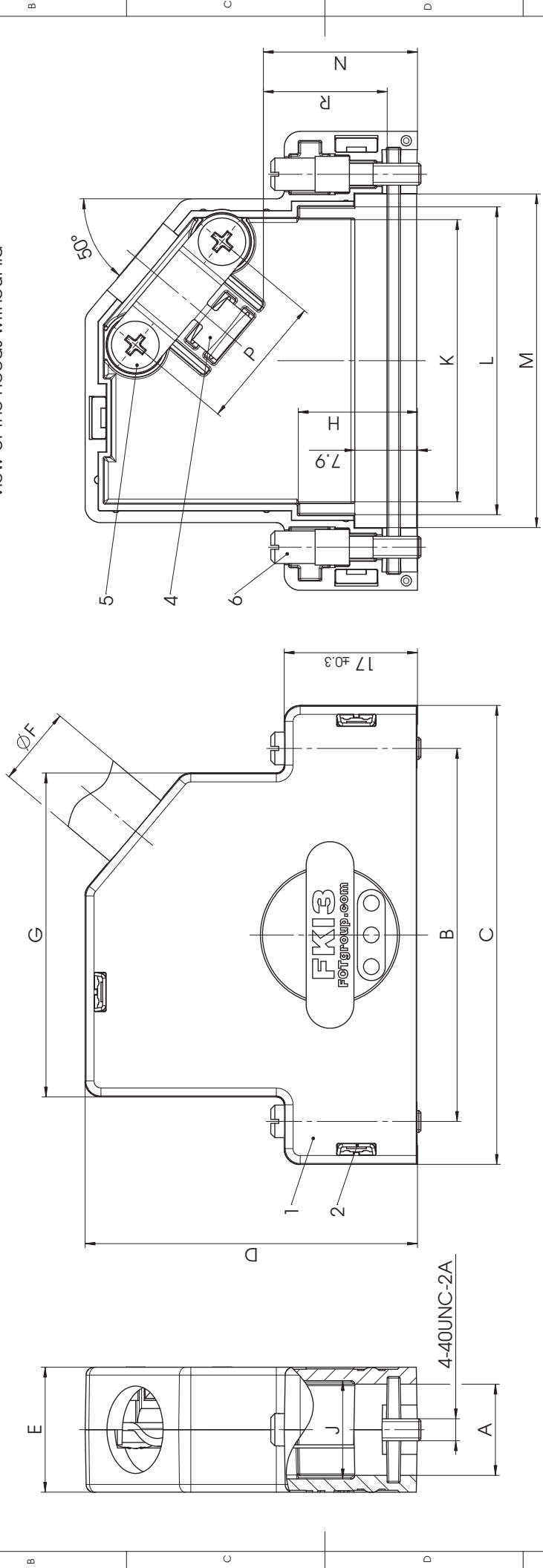


Order-No.	Shell Size / for No. of Contacts	A	B	C	D	E	$\varnothing F$ min - max	G	H	J	K	L	M	N	P	R
FK11-4488	1 / 9	11.5 ±0.3	25	36	36	16	3.5 - 7.5	22	-	12.4	17.2	-	20.4	15.7	12.8	11.9
FK12-4488	2 / 15	11.5 ±0.3	33.3	44.3	42	16	6.5 - 9	27.3	13.7	12.4	22	24.6	28	19.9	17	16.1
FK13-4488	3 / 25	11.5 ±0.3	47	58	42	16	6.5 - 11	41	15	12.4	35.6	38.8	42	19.5	17	15.7
FK14-4488	4 / 37	11.5 ±0.3	63.5	74.5	42	16	6.5 - 11	57.5	15.4	12.4	52.3	55.3	58.5	19.4	17	15.6
FK15-4488	5 / 50	14.2 ±0.3	61.1	73	42	19	9 - 13	55	16.5	19.3	49.8	53.4	65.8	17.4	19	13.9

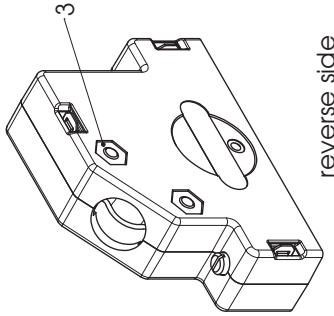
view of the hoods without lid



RoHS compliant

No.	St.	Part	Type Description / Material
6	2	Locking screw	FVS1 /5-4368 4-40 / Brass
5	2	Cable clamp screw	Steel
4	1	Cable clamp	Steel
3	2	Locking nut	Brass
2	3	Locking element sheet	Spring steel
1	1	HOOD	FK11-5 / Polyester

Measurement without tolerance acc. to ISO 2768-m		SCALE	TITLE
NAME / DATE	ANKE MEYER-RICHTER	2:1	Plastic hood
DRAWN	04-11-2011		
CHECKED	BWITTEK		
	04-11-2011		



reverse side 1:1

Packing unit on supplement AM0409  
max. torque are 40 Ncm  
Hood is snapped together  
Part-No. 4, 5 and 6 not mounted

REV.	DATE	CH.-NO.	REPLACEMENT FOR:
1			FK11-5-4488

REV.	DATE	CH.-NO.	REPLACEMENT FOR:
1			FK11-5-4488