

Diaphragm for double push-button



Powering Business Worldwide™

Part no. M22-T-DD
Article no. 216396

Catalog No. M22-T-DDQ

Delivery programme

Product range			RMQ-Titan (drilling dimensions 22.5 mm)
Basic function			Accessories
Accessories			General accessories
Basic function accessories			Push-button diaphragm
Single unit/Complete unit			Single unit
			transparent version for harsh environmental conditions and application in the food industry Do not use in conjunction with M22S-ST legend plate mount, since degree of protection cannot be guaranteed
For use with			M22(S)-DDL...
Connection to SmartWire-DT			no

Approvals

North America Certification
Degree of Protection

Request filed for UL and CSA
UL/CSA Type 3R, 4X, 12, 13

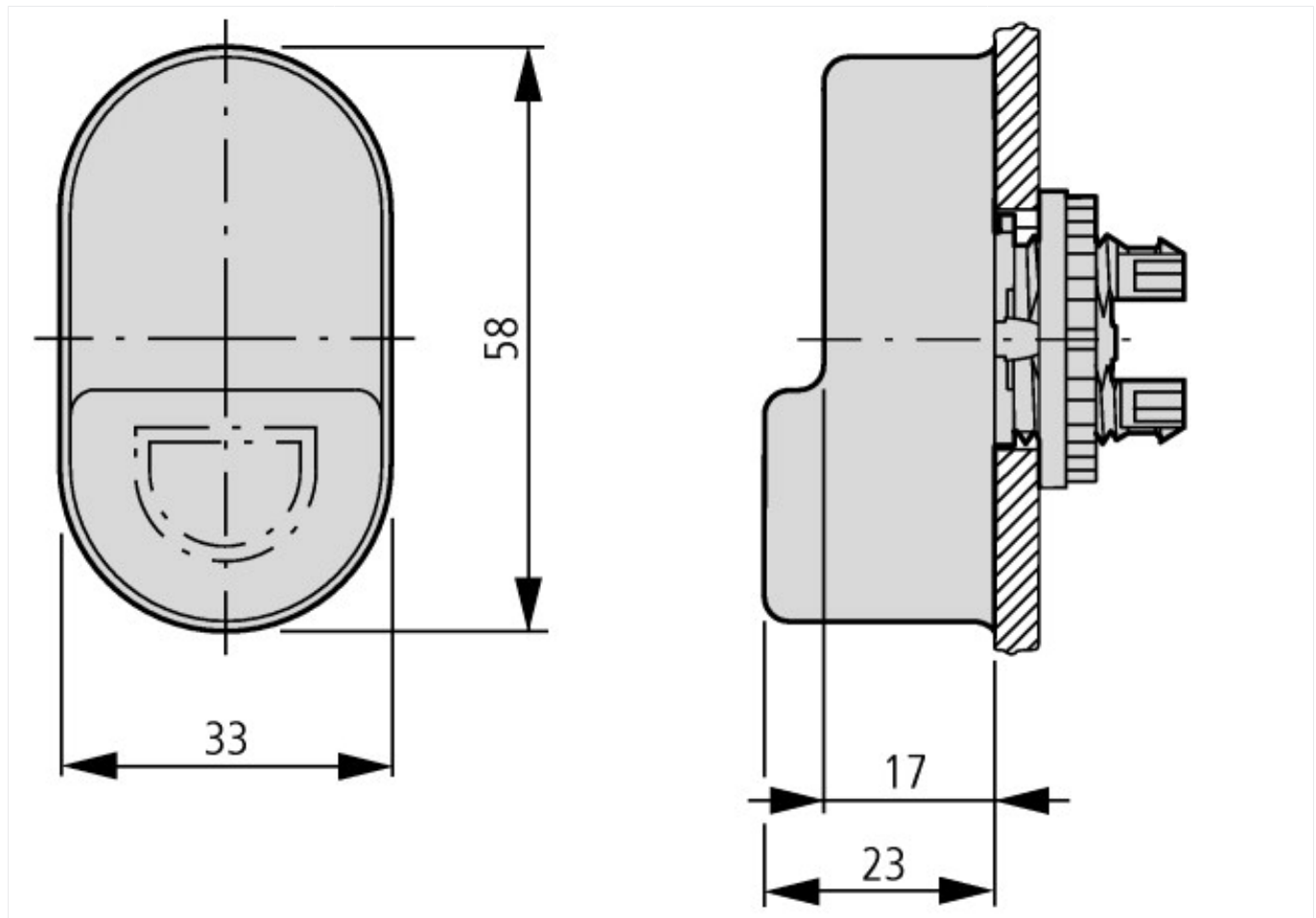
Technical data ETIM 5.0

Low-voltage industrial components (EG000017) / Protective cover for control circuit devices (EC002040)

Electric engineering, automation, process control engineering / Low-voltage switch technology / Low-voltage switch technology (accessories) / Protective cover for command devices (ecl@ss8-27-37-92-18 [AC0047007])

Colour			Transparent
Shape			Round

Dimensions



Additional product information (links)

IL04716002Z (AWA1160-1745) RMQ-Titan System	
IL04716002Z (AWA1160-1745) RMQ-Titan System	ftp://ftp.moeller.net/DOCUMENTATION/AWA_INSTRUCTIONS/IL04716002Z2013_08.pdf