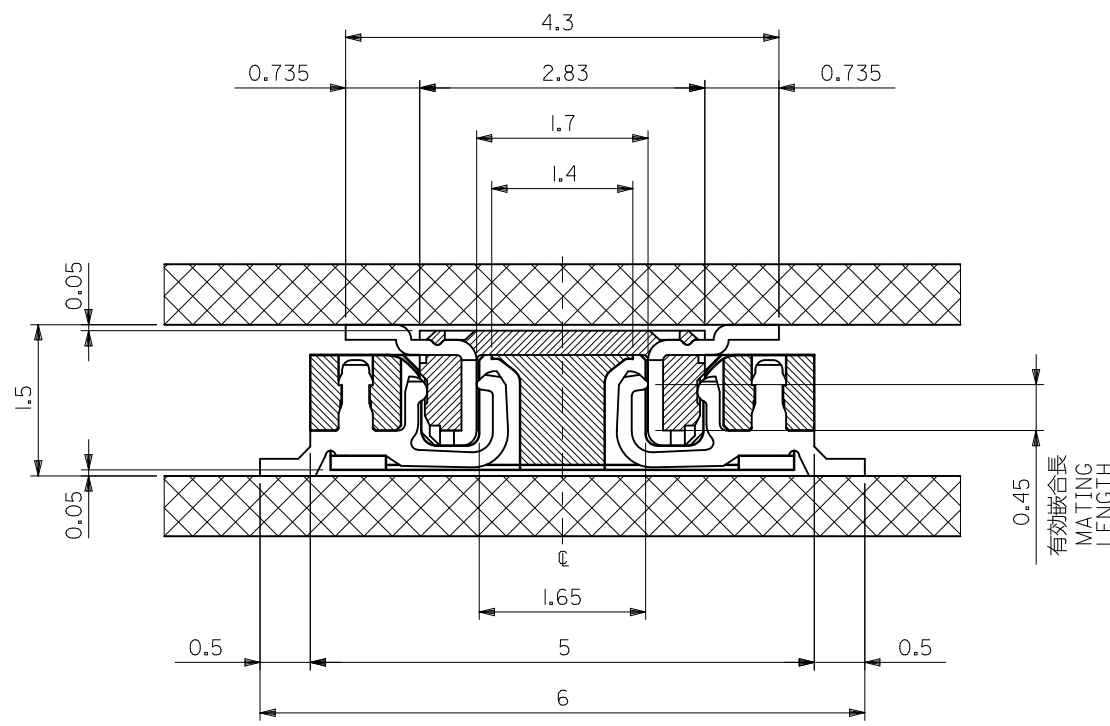


NON	20.55	19.5	21.45	55560-080I	80
10,21	15.55	14.5	16.45	▲ -060I	60
2,4,8,10,16,18,22,24	13.05	12.0	13.95	-050I	50
2,3,5,6,8,9,12,13,15,16,18,19	10.55	9.5	11.45	-040I	40
2,3,4,5,7,8,9,10,11,13,14,15,16	9.05	8.0	9.95	-034I	34
ALL	8.05	7.0	8.95	-030I	30
	6.55	5.5	7.45	-024I	24
	6.05	5.0	6.95	-022I	22
	5.55	4.5	6.45	▼ -020I	20
4.55	3.5	5.45	55560-016I	16	
LOCK POSITION	C	B	A	MATERIAL NO.	極数 CIRCUIT

DO NOT SCALE DRAWING

REVISED EC NO. J2010-1741 DRWN: Y.ONO '10/03/01 CHK: S.MARUYAMA APPR: S.MARUYAMA	REVISED EC NO. J2010-1529 DRWN: Y.ONO '10/01/27 CHK: S.MARUYAMA APPR: M.SASAO	REVISED EC NO. J2003-2517 DRWN: S.AIHARA '03/03/31 CHK: M.SASAO APPR: M.SASAO	REVISED EC NO. J2003-1929 DRWN: T.YASUJI '03/11/23 CHK: T.IITO APPR: T.IITO	REVISED EC NO. J2003-1468 DRWN: T.YASUJI '02/11/25 CHK: T.IITO APPR: T.YAMAGUCHI	MATERIAL 材質 注記参照 SEE NOTES
J	H	G	F	E	FINISH 仕上げ //
					WIRE RANGE 適用導線範囲 //
					INS. RANGE 被覆外径 //

GENERAL TOLERANCES: (UNLESS SPECIFIED) 一般公差	SCALE //	MODEL NO. 55560-***I	DIMENSIONS: <input type="checkbox"/> mm <input type="checkbox"/> INCH <input checked="" type="checkbox"/> mm ONLY	SHT REVISE ON CAD ONLY	REV
10 UNDER 未滿 ±0.2	DRAWN BY & DATE S.AIHARA '00/10/5	DESIGN UNITS <input checked="" type="checkbox"/> mm <input type="checkbox"/> INCH	THIRD ANGLE PROJECTION	TITLE: 0.5 B-To-B Conn PLUG Assy(Hg+=1.5mm)	
10 OVER 以上 30 UNDER 未滿 ±0.25	CHECKED BY & DATE M.SASAO '03/03/31	APPROVED BY & DATE M.SASAO '03/03/31	MATERIAL NO. SEE CHART	DRAWING NO. SD-55560-006	SHEET NO. 1 OF 2
30 OVER 以上 ±0.3	ANGLE 角度 ±3°	CAD FILENAME 55560006.S01	MATERIAL NO. SEE CHART	DRAWING NO. SD-55560-006	SIZE B
THIS DRAWING CONTAINS INFORMATION THAT IS PROPRIETARY TO MOLEX INCORPORATED AND SHOULD NOT BE USED WITHOUT WRITTEN PERMISSION.					



嵌合断面図 (参考)
MATED DRAWING (REF.)

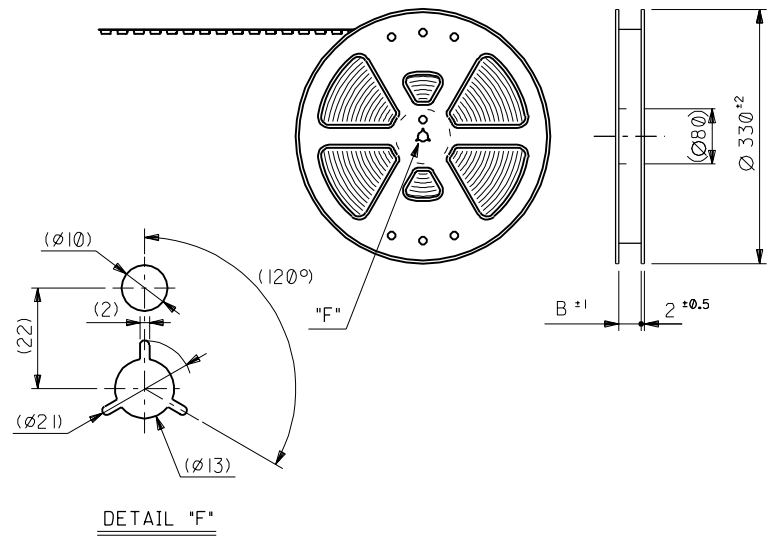
- 注記 NOTES:
1. 使用材料 MATERIAL
 ウェハー: 液晶ポリマー ガラス充填 ,UL94V-0(黒)
 WAFER :LIQUID CRYSTRAL POLYMER
 (GLASS FILLED), UL94V-0 (COLOR:BLACK)
 ピン :黄銅 (t=0.15)
 PIN :BRASS(t=0.15)
 2. メッキ仕様 PLATING
 金メッキ 0.25 MICROMETER MINIMUM (コンタクト部)
 GOLD 0.25 MICROMETER MINIMUM (CONTACT AREA).
 金メッキ 0.4 MICROMETER MAXIMUM (テール部)
 GOLD 0.4 MICROMETER MAXIMUM (TAIL AREA).
 下地メッキ: ニッケルメッキ 1.5 MICROMETER MINIMUM
 UNDER PLATING : NICKEL 1.5 MICROMETER MINIMUM.
 3. (全極数/2) = 偶数の場合に適用。
 APPLY FOR (CIRCUIT/2)=EVEN.
 4. 嵌合相手: 54722 シリーズ, 54037 シリーズ
 MATE WITH : 54722 SERIES, 54037 SERIES.
 テール平坦度は、0.1 MAXIMUM
 5. TAIL COPLANARITY TO BE 0.1 MAXIMUM.

DO NOT SCALE DRAWING

REVISED EC NO. J2010-1741 DRWN: Y.ONO '10/03/01 CHK: S.MARUYAMA APPR: S.MARUYAMA		REVISED EC NO. J2010-1529 DRWN: Y.ONO '10/01/27 CHK: S.MARUYAMA APPR: M.SASAO		REVISED EC NO. J2003-2517 DRWN: S.AIHARA '03/03/31 CHK: M.SASAO APPR: M.SASAO		REVISED EC NO. J2003-1929 DRWN: T.YASUJI '03/11/23 CHK: T.IITO APPR: T.IITO		REVISED EC NO. J2003-1468 DRWN: T.YASUJI '02/11/25 CHK: T.IITO APPR: T.YAMAGUCHI		MATERIAL 材質 注記参照 SEE NOTES	GENERAL TOLERANCES: (UNLESS SPECIFIED) 一般公差	SCALE //	MODEL NO. 55560-***I	DIMENSIONS: <input type="checkbox"/> mm <input type="checkbox"/> INCH <input checked="" type="checkbox"/> mm ONLY	SHT	REV
J	H	G	F	E						FINISH 仕上げ //	10 UNDER 未満	±0.2	DRAWN BY & DATE S.AIHARA '00/10/5		TITLE: 0.5 B-To-B Conn PLUG Assy(Hg+=1.5mm)	
										WIRE RANGE 適用導線範囲 //	10 OVER 以上	±0.25	CHECKED BY & DATE M.SASAO '03/03/31		APPROVED BY & DATE M.SASAO '03/03/31	
										INS. RANGE 被覆外径 //	30 UNDER 未満	±0.3	MATERIAL NO. SEE CHART		DRAWING NO. SD-55560-006	
											ANGLE 角度	±3°	SHEET NO. 2 OF 2		SIZE B	
THIS DRAWING CONTAINS INFORMATION THAT IS PROPRIETARY TO MOLEX INCORPORATED AND SHOULD NOT BE USED WITHOUT WRITTEN PERMISSION.																

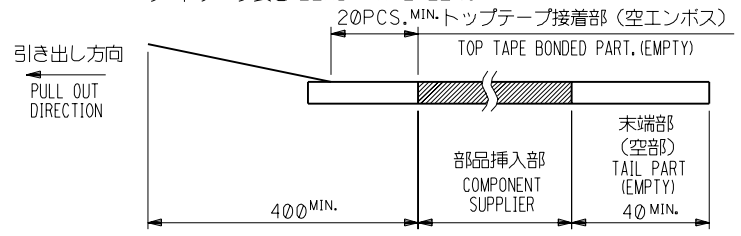
DWG. NO. SD-55560-008

引き出し方向
PULL OUT DIRECTION

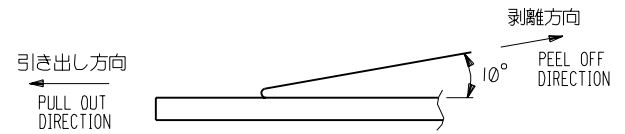


NOTES

- 製品詳細寸法については図面 SD-55560-006 を参照下さい。
RE DETAILED DIMENSION, SEE SD-55560-006
- 梱包数量：2000個/リール
NUMBER OF CONNECTORS：2000PCS/REEL
- リードテープ長さ LEAD TAPE LENGTH



- トップテープの剥離強度：0.1N ~ 0.7N(10.2gf ~ 71.4gf)
(剥離方向は下図参照)
尚、本規格値は出荷時に適用。(但し、輸送時に剥離が発生しないこと。)
PEELING OFF FORCE OF TOP TAPE：0.1N ~ 0.7N(10.2gf ~ 71.4gf)
(PEELING DIRECTION AS SHOWN IN FOLLOWING FIG.)
THIS REQUIREMENT SHOULD BE APPLIED AT SHIPMENT.
PEEL OFF SHOULD NOT BE ALLOWED, DURING TRANSPORTATION.



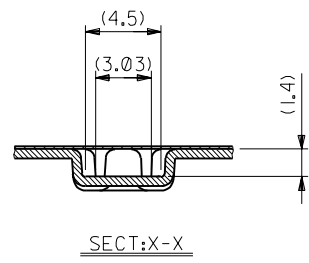
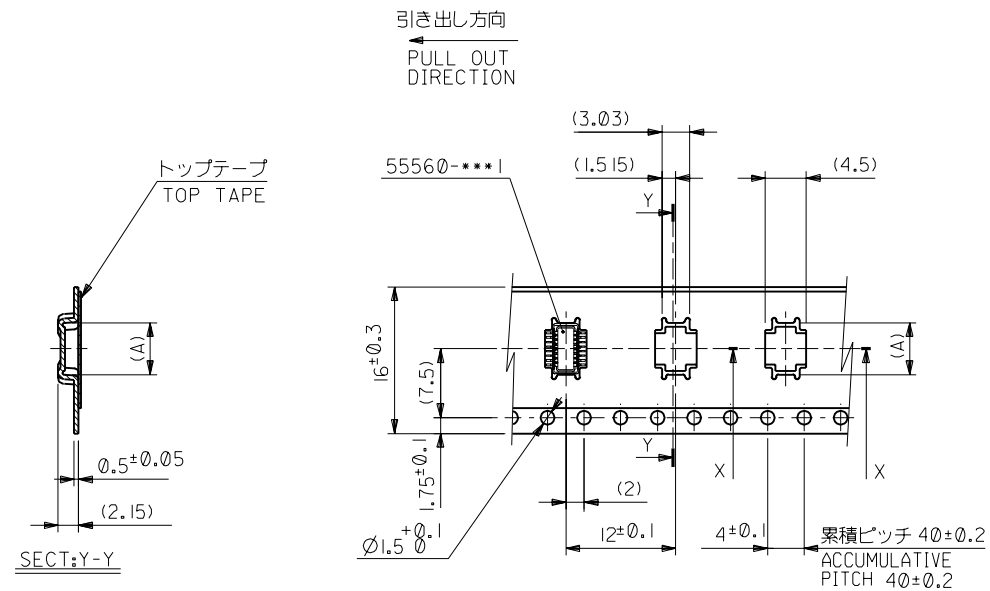
- 材料 キャリアテープ：ポリプロピレン (PP)
トップテープ：PET, PE, PEF
リール：ポリスチレン (PS) <リサイクル材を含む>

MATERIAL CARRIER TAPE: POLYPROPYLENE
TOP TAPE: PET, PE, PEF
REEL: POLYSTYRENE (PS)
<RECYCLE MATERIAL CONTAINED>

DO NOT SCALE DRAWING

8 7 6 5 4 3 2 1	8 7 6 5 4 3 2 1	REVISED 01 NO. JC2001-0604 DRWN: R. SHINA 01/01/30 CHK: T. ITO APPR: M. FUKUSHIMA	PROPOSED 02 NO. JC2001-0402 DRWN: S. AIHARA 00/11/28 CHK: T. ITO APPR: M. FUKUSHIMA	MATERIAL 材料 注記参照 SEE NOTES	GENERAL TOLERANCES: (UNLESS SPECIFIED) 一般公差	SCALE 1/1	DESIGN UNITS <input checked="" type="checkbox"/> mm <input type="checkbox"/> INCH	MODEL NO. 55560-***8	DIMENSIONS: <input type="checkbox"/> mm <input type="checkbox"/> INCH <input checked="" type="checkbox"/> mm ONLY	SHT REV					
											FINISH 仕上げ	10 UNDER 未満	+0.2	DRAWN BY & DATE S. AIHARA 00/11/28	TITLE: 0.5 B-To-B Conn PLUG Assy (Hgt=1.5) Embstp Pkg
											WIRE RANGE 適用線径範囲	10 OVER 以上	+0.25	CHECKED BY & DATE T. ITO 01/01/30	
											INS. RANGE 被覆外径	30 OVER 以上	+0.3	APPROVED BY & DATE M. FUKUSHIMA 01/01/30	
REV	ANGLE 角度	+3°	CAD FILENAME 55560008.S01	MOLEX INCORPORATED	MATERIAL NO. SEE CHART	DRAWING NO. SD-55560-008	SHEET NO. 1 OF 3								

THIS DRAWING CONTAINS INFORMATION THAT IS PROPRIETARY TO MOLEX INCORPORATED AND SHOULD NOT BE USED WITHOUT WRITTEN PERMISSION.



16mm幅キャリアテープ
16mm WIDTH CARRIER TAPE

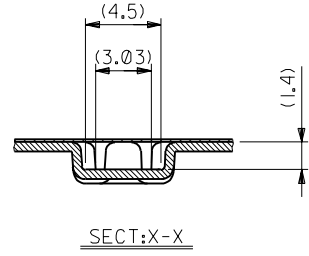
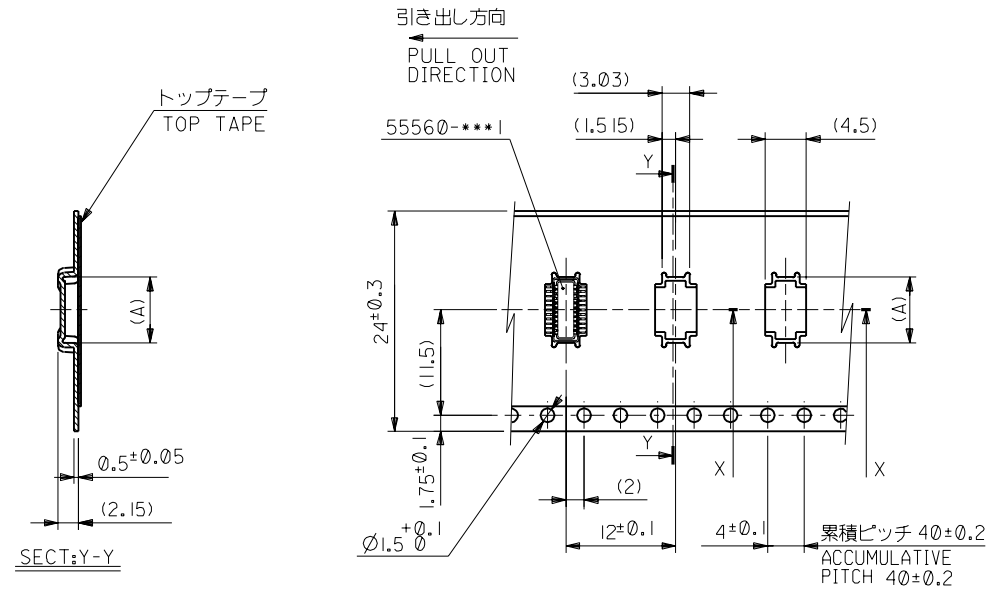
16	17.5	5.65	55560-0168	16
キャリアテープ幅 CARRIER TAPE WIDTH			B	(A)
MODEL NO.			55560-***8	DIMENSIONS:
			<input type="checkbox"/> mm	<input type="checkbox"/> INCH
			<input checked="" type="checkbox"/> mm	<input checked="" type="checkbox"/> INCH
			<input type="checkbox"/> mm ONLY	<input type="checkbox"/> INCH ONLY
			SHT	REV

EG4NO. DRWN: CHK: APPR:	EG3NO. DRWN: CHK: APPR:	EG2NO. DRWN: CHK: APPR:	REVISED EG1NO. JC2001-0604 DRWN: R.SHIINA '01/01/20 CHK: T.IITO APPR: M.FUKUSHIMA	PROPOSED EG0NO. JC2001-0402 DRWN: S.AIHARA '00/11/28 CHK: T.IITO APPR: M.FUKUSHIMA	MATERIAL 材料 SHEET 1 OF 3 参照 REFER TO SHEET 1 OF 3
					FINISH 仕上付 //
					WIRE RANGE 適用線径範囲 //
					INS. RANGE 被覆外径 //

GENERAL TOLERANCES: (UNLESS SPECIFIED) 一般公差		SCALE //	DESIGN UNITS <input checked="" type="checkbox"/> mm <input type="checkbox"/> INCH	PROJECTION <input checked="" type="checkbox"/> FIRST ANGLE	REVISIONS <input type="checkbox"/> mm ONLY	REVISE ON CAD ONLY
10 UNDER 未満	+0.2					
10 OVER 以上	30 UNDER 未満	+0.25				
30 OVER 以上		+0.3				
ANGLE 角度		+3°				

DRAWN BY & DATE S.AIHARA '00/11/28		CHECKED BY & DATE T.IITO '01/01/30		APPROVED BY & DATE M.FUKUSHIMA '01/01/30		CAD FILENAME 55560008.S02		MATERIAL NO. SEE CHART		DRAWING NO. SD-55560-008		SHEET NO. 2 OF 3	
TITLE: 0.5 B-To-B Conn PLUG Assy (Hgt=1.5) Embstp Pkg				MOLEX INCORPORATED									
THIS DRAWING CONTAINS INFORMATION THAT IS PROPRIETARY TO MOLEX INCORPORATED AND SHOULD NOT BE USED WITHOUT WRITTEN PERMISSION.												SIZE B	

DO NOT SCALE DRAWING



24mm幅キャリアテープ
24mm WIDTH CARRIER TAPE

24	25.5	7.15	55560-0228	22
キャリアテープ幅 CARRIER TAPE WIDTH		B	(A)	種数 CIRCUIT
MODEL NO.	55560-***8		DIMENSIONS:	

④4NO. DRWN: CHK: APPR:	④3NO. DRWN: CHK: APPR:	④2NO. DRWN: CHK: APPR:	④1NO. JC2001-0604 DRWN: R.SHINA '01/01/30 CHK: T.IITO APPR: M.FUKUSHIMA	④0NO. JC2001-0402 DRWN: S.AIHARA '00/11/28 CHK: T.IITO APPR: M.FUKUSHIMA	MATERIAL 材料 SHEET 1 OF 2 参照 REFER TO SHEET 1 OF 2
④3NO. DRWN: CHK: APPR:	④2NO. DRWN: CHK: APPR:	④1NO. JC2001-0604 DRWN: R.SHINA '01/01/30 CHK: T.IITO APPR: M.FUKUSHIMA	④0NO. JC2001-0402 DRWN: S.AIHARA '00/11/28 CHK: T.IITO APPR: M.FUKUSHIMA	FINISH 仕上げ //	GENERAL TOLERANCES: (UNLESS SPECIFIED) 一般公差
④2NO. DRWN: CHK: APPR:	④1NO. JC2001-0604 DRWN: R.SHINA '01/01/30 CHK: T.IITO APPR: M.FUKUSHIMA	④0NO. JC2001-0402 DRWN: S.AIHARA '00/11/28 CHK: T.IITO APPR: M.FUKUSHIMA	WIRE RANGE 線径範囲 //	INS. RANGE 板厚外径 //	SCALE 1/1 DESIGN UNITS <input checked="" type="checkbox"/> mm <input type="checkbox"/> INCH PROJECTION <input checked="" type="checkbox"/> FIRST ANGLE <input type="checkbox"/> THIRD ANGLE DIMENSIONS: <input type="checkbox"/> mm <input type="checkbox"/> INCH <input checked="" type="checkbox"/> mm ONLY SHT 1 REV 1 REVISION ON CAD ONLY

④3NO. DRWN: CHK: APPR:	④2NO. DRWN: CHK: APPR:	④1NO. JC2001-0604 DRWN: R.SHINA '01/01/30 CHK: T.IITO APPR: M.FUKUSHIMA	④0NO. JC2001-0402 DRWN: S.AIHARA '00/11/28 CHK: T.IITO APPR: M.FUKUSHIMA	FINISH 仕上げ //	GENERAL TOLERANCES: (UNLESS SPECIFIED) 一般公差
④2NO. DRWN: CHK: APPR:	④1NO. JC2001-0604 DRWN: R.SHINA '01/01/30 CHK: T.IITO APPR: M.FUKUSHIMA	④0NO. JC2001-0402 DRWN: S.AIHARA '00/11/28 CHK: T.IITO APPR: M.FUKUSHIMA	WIRE RANGE 線径範囲 //	INS. RANGE 板厚外径 //	SCALE 1/1 DESIGN UNITS <input checked="" type="checkbox"/> mm <input type="checkbox"/> INCH PROJECTION <input checked="" type="checkbox"/> FIRST ANGLE <input type="checkbox"/> THIRD ANGLE DIMENSIONS: <input type="checkbox"/> mm <input type="checkbox"/> INCH <input checked="" type="checkbox"/> mm ONLY SHT 1 REV 1 REVISION ON CAD ONLY
④1NO. JC2001-0604 DRWN: R.SHINA '01/01/30 CHK: T.IITO APPR: M.FUKUSHIMA	④0NO. JC2001-0402 DRWN: S.AIHARA '00/11/28 CHK: T.IITO APPR: M.FUKUSHIMA	FINISH 仕上げ //	WIRE RANGE 線径範囲 //	INS. RANGE 板厚外径 //	SCALE 1/1 DESIGN UNITS <input checked="" type="checkbox"/> mm <input type="checkbox"/> INCH PROJECTION <input checked="" type="checkbox"/> FIRST ANGLE <input type="checkbox"/> THIRD ANGLE DIMENSIONS: <input type="checkbox"/> mm <input type="checkbox"/> INCH <input checked="" type="checkbox"/> mm ONLY SHT 1 REV 1 REVISION ON CAD ONLY

DRAWN BY & DATE S.AIHARA '00/11/28	CHECKED BY & DATE T.IITO '01/01/30	APPROVED BY & DATE M.FUKUSHIMA '01/01/30	TITLE: 0.5 B-To-B Conn PLUG Assy (Hgt=1.5) Embstp Pkg
CAD FILENAME 55560008.S03	MATERIAL NO. SEE CHART	DRAWING NO. SD-55560-008	SHEET NO. 3 OF 3
MOLEX INCORPORATED			SIZE B
THIS DRAWING CONTAINS INFORMATION THAT IS PROPRIETARY TO MOLEX INCORPORATED AND SHOULD NOT BE USED WITHOUT WRITTEN PERMISSION.			

DO NOT SCALE DRAWING