



## Complete device, top mounting



Powering Business Worldwide™

**Part no.** M22-13-M1  
**Article no.** 216532  
**Catalog No.** M22-13-M1Q

### Delivery programme

Contact sequence			
Number of locations		Qty.	3
Protection type			IP67, IP69K
Function			Spring-return
Contacts			
N/O = Normally open			3 N/O
N/C = Normally closed			3 NC
Notes			= safety function, by positive opening to IEC/EN 60947-5-1
Colour of enclosure top			
Button plate			
			Green, red, green
<b>Notes</b>			
	Switch positions 0, I and II correspond with the position of the actuator as viewed from the front.		

### Approvals

Product Standards	IEC/EN 60947-5; UL 508; CSA-C22.2 No. 14-05; CSA-C22.2 No. 94-91; CE marking
UL File No.	E29184
UL Category Control No.	NKCR
CSA File No.	012528
CSA Class No.	3211-03
North America Certification	UL listed, CSA certified
Degree of Protection	UL/CSA Type 3R, 4X, 12, 13

### General

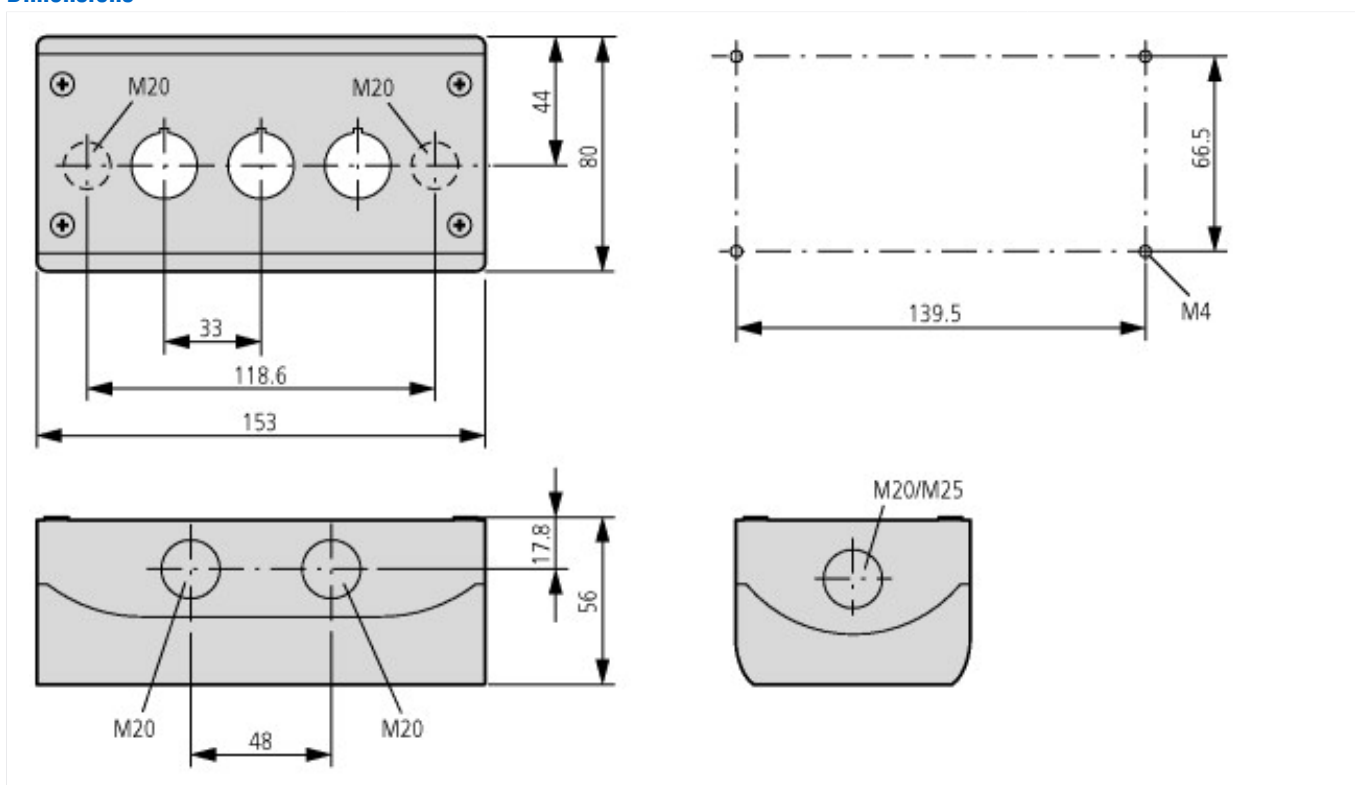
Standards			IEC/EN 60947 VDE 0660
Lifespan, mechanical	Operations	x 10 <sup>6</sup>	> 5
Operating frequency	Operations/h		3600
Actuating force		n	5
Protection type			IP67, IP69K
Climatic proofing			Damp heat, constant, to IEC 60068-2-78 Damp heat, cyclic, to IEC 60068-2-30
Ambient temperature		°C	
Open		°C	- 25 - + 70
Mounting position			As required
Mechanical shock resistance		g	30 Shock duration 11 ms Sinusoidal according to IEC 60068-2-27
Cable entry knockouts			
Base		Quantity x M...	2 x 20
Sides		Quantity x M...	2 x 20 2 x 25/20

### Technical data ETIM 5.0

Low-voltage industrial components (EG000017) / Control circuit devices combination in enclosure (EC000225)

Number of command positions			3
Number of push buttons			3
Number of indicator lights			0
Number of key switches			0
Number of selector switches			0
Number of mushroom-shaped push-buttons			0
Suitable for emergency stop			No
Rated control supply voltage $U_s$ at AC 50HZ		V	115 - 500
Rated control supply voltage $U_s$ at AC 60HZ		V	115 - 500
Rated control supply voltage $U_s$ at DC		V	24 - 230
Colour housing cover			Grey
Material housing			Plastic
Degree of protection (IP)			IP67
Number of contacts as normally open contact			2
Number of contacts as normally closed contact			2
Number of contacts as change-over contact			0

## Dimensions



## Additional product information (links)

**IL04716002Z (AWA1160-1745) RMQ-Titan System**

IL04716002Z (AWA1160-1745) RMQ-Titan System

[ftp://ftp.moeller.net/DOCUMENTATION/AWA\\_INSTRUCTIONS/IL04716002Z2013\\_08.pdf](ftp://ftp.moeller.net/DOCUMENTATION/AWA_INSTRUCTIONS/IL04716002Z2013_08.pdf)